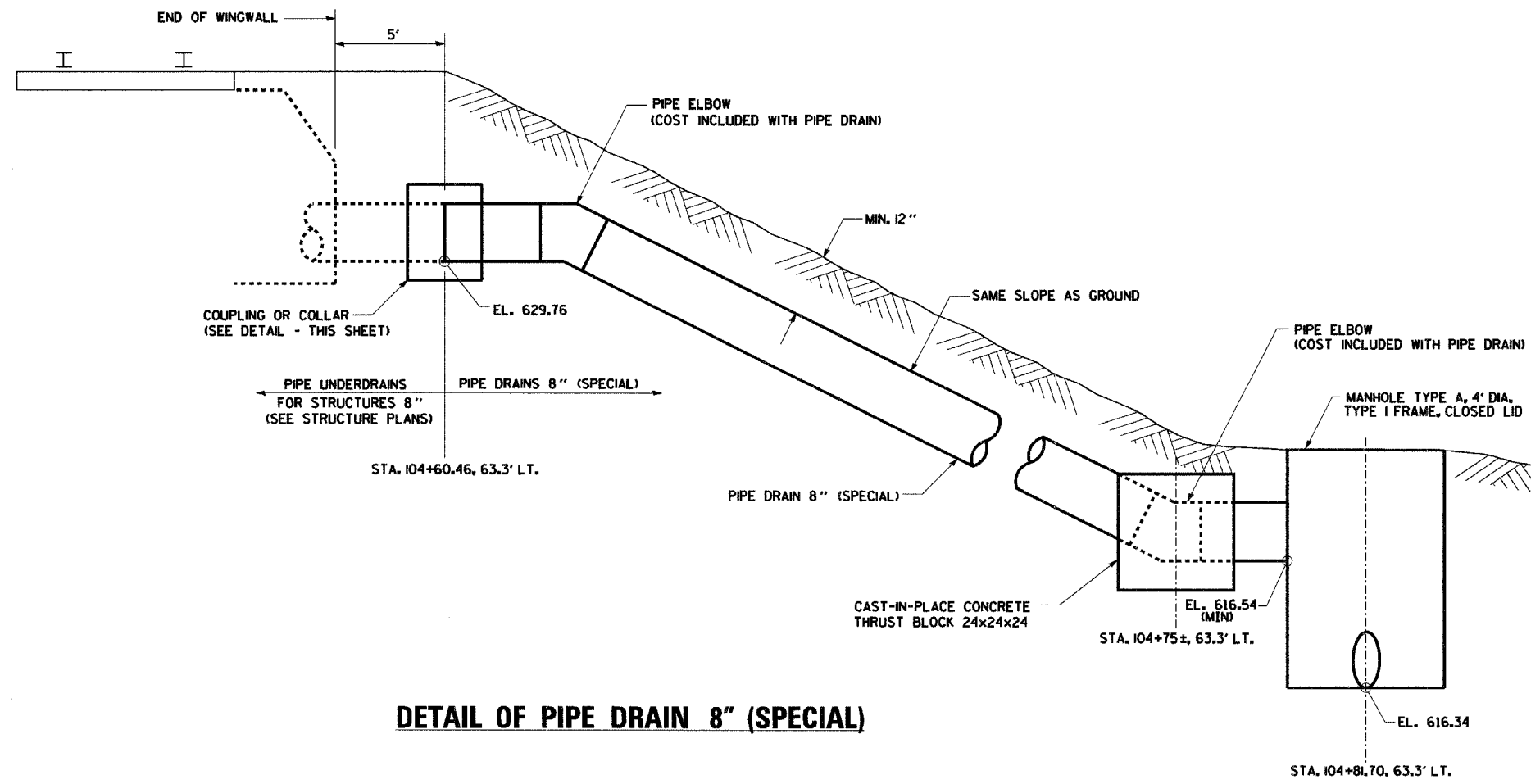
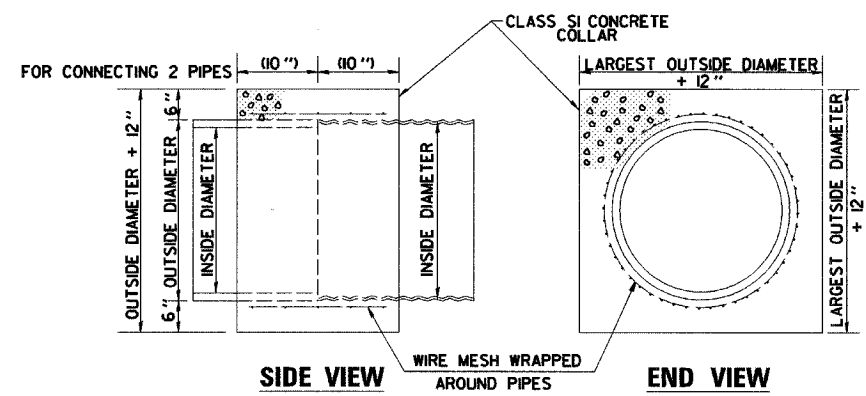


DATE	
BY	
PLANNED	
CHECKED	
NO. OF WAYS CHECKED	
CADD FILE NAME	
NO.	



DETAIL OF PIPE DRAIN 8" (SPECIAL)



DETAIL OF CONCRETE COLLAR

INSIDE DIAMETER OF PIPE	ESTIMATED CLASS SI CONCRETE REQUIRED
(in)	(yd ³)
8	0.16

GENERAL NOTES

1. CLASS SI CONCRETE SHALL BE USED THROUGHOUT.
2. THE WIRE MESH SHALL WEIGH NOT LESS THAN 54#/100 SQ. FT.
3. CONCRETE COLLAR, IF NECESSARY, WILL NOT BE PAID FOR SEPARATELY BUT INCLUDED IN THE COST OF PIPE DRAIN 8" (SPECIAL).

REVISIONS	
NAME	DATE

CITY OF DANVILLE, ILLINOIS
WINTER AVENUE RECONSTRUCTION
 MISCELLANEOUS DETAILS

SCALE: N/A
 DATE: 12/21/06
 DRAWN BY: SRS
 CHECKED BY: MBF