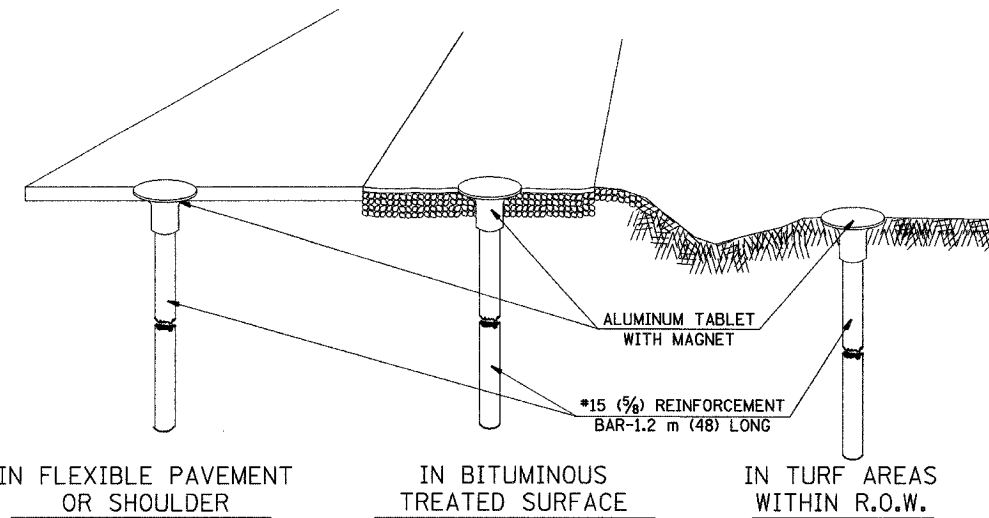


### SURVEY MARKER, TYPE 1 (SPECIAL)

TO BE USED IN FLEXIBLE PAVEMENT AND SHOULDER, A-3 BITUMINOUS TREATED SURFACE OVER AGGREGATE BASE COURSE AND TURF AREAS WITHIN THE RIGHT-OF-WAY LIMITS FOR RESETTING EXISTING CENTERLINE CONTROL POINTS AND LAND SURVEY MONUMENTS

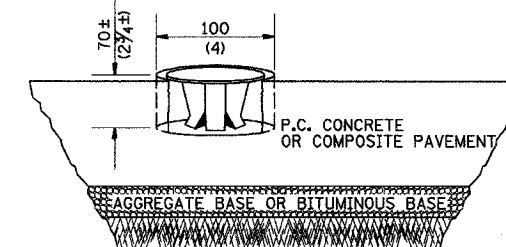


### GENERAL NOTES

1. WORK ON THIS ITEM SHALL NOT START UNTIL THE FINAL SURFACE IS COMPLETED.
2. THE ALUMINUM TABLET (FORKED) SHALL REST UPON THE BOTTOM OF THE 100 mm (4") CORE HOLE. IF THE HOLE IS TOO DEEP, EPOXY GROUT MUST BE USED TO DECREASE THE DEPTH AND ALLOWED TO HARDEN BEFORE PROCEEDING.
3. THE ALUMINUM TABLET SHALL BE ANCHORED IN THE 100 mm (4") DIAMETER HOLE IN THE NEW PAVEMENT WITH TWO-COMPONENT EPOXY CONFORMING TO APPLICABLE PORTIONS OF ARTICLE 1025.01 (725.01) OF THE STANDARD SPECIFICATIONS.
4. THE 100 mm (4") CORE HOLE SHALL BE SUBJECT TO THE APPROVAL OF THE ENGINEER.
5. THE CONTRACT PRICE, EACH, FOR SURVEY MARKER, TYPE 2 (SPECIAL) SHALL BE PAYMENT IN FULL FOR FURNISHING THE ALUMINUM TABLET AND ALL LABOR AND MATERIAL TO SET THE MARKER IN PLACE, AS SPECIFIED, INCLUDING CORING THE NEW PAVEMENT.
6. ALL SURVEY MARKERS, TYPE 2 (SPECIAL) SHALL BE PLACED ± 6 mm (1/4") BELOW THE FINAL SURFACE.

### SURVEY MARKER, TYPE 2 (SPECIAL)

TO BE USED IN "NEW" RIGID OR COMPOSITE PAVEMENT FOR SETTING EXISTING CENTERLINE CONTROL POINTS.



### SPECIFICATIONS FOR ALUMINUM TABLET (FORKED)

ALUMINUM TABLET (FORKED) FOR USE WITH "SURVEY MARKER, TYPE 2, (SPECIAL)" SHALL BE AS SHOWN ON THE DETAIL FOR THE 83 mm (3 1/4") CONVEX SURVEY TABLET WITH ILLINOIS DEPARTMENT OF TRANSPORTATION LOGO. THIS LOGO SHALL PROVIDE FOR LETTERS RECESSED INTO THE SURFACE A MINIMUM OF 0.8 mm (1/32") FOR EASY AND LONG-TERM LEGIBILITY. THE ALUMINUM TABLET SHALL BE PRODUCED BY THE PROCESS OF ORBITAL FORGING TO PRODUCE A HIGH-STRENGTH AND DURABLE MARKER CAP WHICH WILL NOT CHIP OR BREAK AND PROVIDE A SMOOTH FINISH FOR STAMPING OF DATA IN THE FIELD. THE ALUMINUM TABLET SHALL BE DESIGNED NOT TO TURN OR ROTATE. THREE PRONGS ON A 63 mm (2 1/2") STEM SHALL BE SUCH THAT THE ALUMINUM TABLET CANNOT BE EASILY REMOVED.

COMPOSITION: ALUMINUM 92-93%; MAGNESIUM 6.5-7.5%. STRENGTH: YIELD--131-145 MPa (19,000-21,000 PSI); TENSIL--262-303 MPa (38,000-44,000 PSI); ELONGATION--10-15% (IN 50 mm (2")). SPECIFICATIONS: ALLOY 535.0; QQ-A-601ES. NO EXCEPTIONS.

### SPECIFICATIONS FOR ALUMINUM TABLET

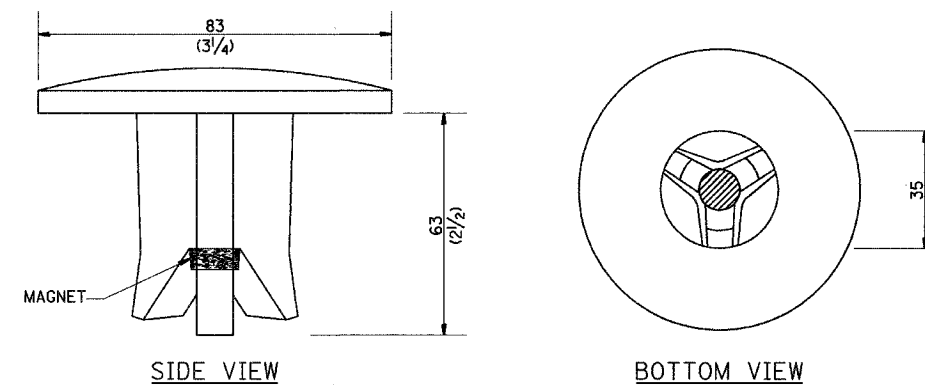
SURVEY CAP FOR REBAR. 83 mm (3 1/4") CONVEX SURVEY CAP FOR 15 mm (5/8") REBAR WITH ILLINOIS DEPARTMENT OF TRANSPORTATION LOGO. THIS LOGO SHALL PROVIDE LETTERS RECESSED INTO THE SURFACE A MINIMUM OF 0.8 mm (1/32") FOR EASY AND LONG-TERM LEGIBILITY. THE ALUMINUM CAP FOR REBAR SHALL BE PRODUCED BY THE PROCESS OF ORBITAL FORGING TO PRODUCE A HIGH-STRENGTH AND DURABLE MARKER CAP WHICH WILL NOT CHIP OR BREAK AND PROVIDE A SMOOTH FINISH FOR STAMPING OF DATA IN THE FIELD. THE ALUMINUM CAP FOR REBAR SHALL BE TAPERED FOR A PERFECT COMPRESSION FIT. A SPECIAL PLASTIC INSULATOR SHALL BE INSTALLED TO PREVENT DISSIMILAR METAL CONTACT AND CORROSION. THE PLASTIC INSULATOR SHALL FORM READILY TO THE OUTER SHAPE OF THE REBAR AND TO THE INNER SHAPE OF THE ALUMINUM CAP SOCKET. THE PLASTIC INSULATOR SHALL BE LOW DENSITY POLYETHYLENE, A MINIMUM 38 mm (1 1/2") LONG AND CONFORM TO FEDERAL SPECIFICATION L-P 390.

COMPOSITION: ALUMINUM 98.3-98.7%; OTHER 1.3-1.7%; STRENGTH: YIELD 193 MPa (28 KSI), ULTIMATE 221 MPa (32 KSI). ELONGATION 15% (IN 50 mm (2")). SPECIFICATIONS: ALUMINUM ALLOY 6101-0; ASTM B317-83 (EXCEPT TEMPER) AS FORGED. NO EXCEPTIONS.

### SPECIFICATION FOR REBAR

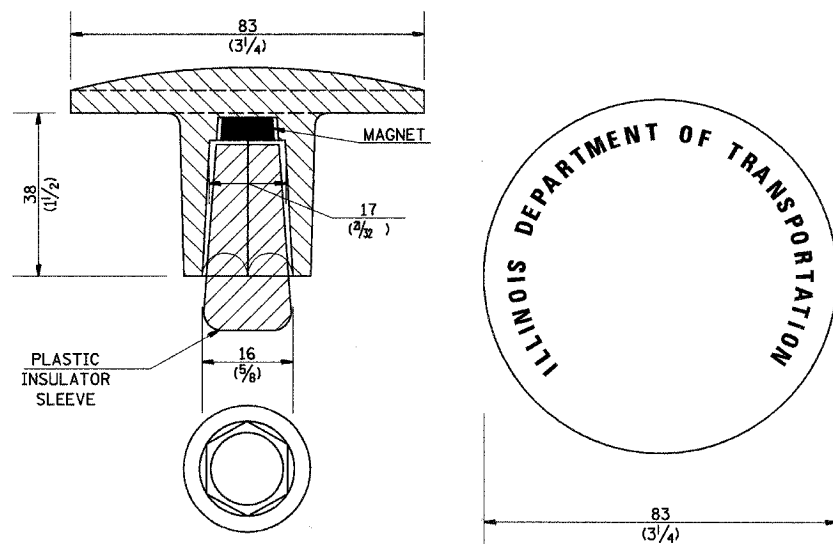
REBAR FOR ALUMINUM TABLET. REINFORCEMENT BAR SHALL BE #15 (5/8") X 1.2 m (48") (DEFORMED).

INSPECTION OF REINFORCEMENT BAR #15 (5/8") SHALL BE DONE BY DISTRICT PERSONNEL OF THE ILLINOIS DEPARTMENT OF HIGHWAYS, DIVISION OF HIGHWAYS.



DIMENSIONS SHOWN SHALL BE EXACT. OTHERS MAY VARY, BUT SHALL BE SHOWN ON SHOP DRAWINGS.

All dimensions are in millimeters (inches) unless otherwise shown.



DIMENSIONS SHOWN SHALL BE EXACT, OTHERS MAY VARY, BUT SHALL BE SHOWN ON SHOP DRAWINGS.

### GENERAL NOTES

1. THE CONTRACT UNIT PRICE, EACH, FOR SURVEY MARKER, TYPE 1, (SPECIAL) SHALL BE PAYMENT IN FULL FOR FURNISHING THE SURVEY MARKER.
2. ALL SURVEY MARKERS, TYPE 1 (SPECIAL) SHALL BE PLACED ± 6 mm (1/4") BELOW THE FINAL SURFACE.
3. WHEN THE TABLET AND REBAR ARE PLACED AS PART OF A SURVEY MARKER VAULT, THEY SHALL BE CONSIDERED AS INCLUDED IN THAT PAY ITEM AND THERE WILL BE NO PAYMENT FOR THE SURVEY MARKER, TYPE 1 (SPECIAL).

DESIGNED			REVISIONS		
NAME	DATE		NAME	DATE	
AWH	8/17/91		G.A.M.	11-95	
PEK	8/17/91		D.L.P.	10-96	
CADD NO.	D-1.05				

All dimensions are in millimeters (inches) unless otherwise shown.

REVISIONS	
NAME	DATE

CITY OF DANVILLE, ILLINOIS  
WINTER AVENUE RECONSTRUCTION  
  
IDOT DISTRICT 5  
CADD DETAILS

SCALE: N/A  
DRAWN BY: SRS  
DATE: 12/21/06  
CHECKED BY: MBF

DATE	
BY	
DESIGNED	
CHECKED	
IN CHARGE	
REVISIONS	
NO. OF WAYS CHECKED	
CADD FILE NAME	
PLAN	
NOTE BOOK	
NO.	