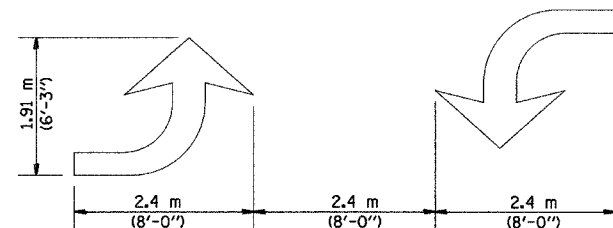


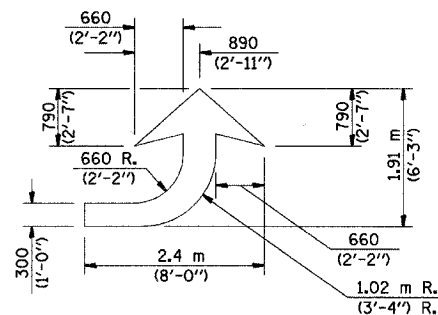
# TYPICAL APPLICATIONS OF PAVEMENT MARKINGS AND MARKERS

F.A.D. RTE.	SECTION	COUNTY	TOTAL SHEETS	SHEET NO.
6998	99-00209-01-PV	VERMILION	296	92
STA. N/A	TO STA. N/A			
FED. ROAD DIST. NO. ILLINOIS	FED. AID PROJECT-			
CONTRACT NO.: 91358				

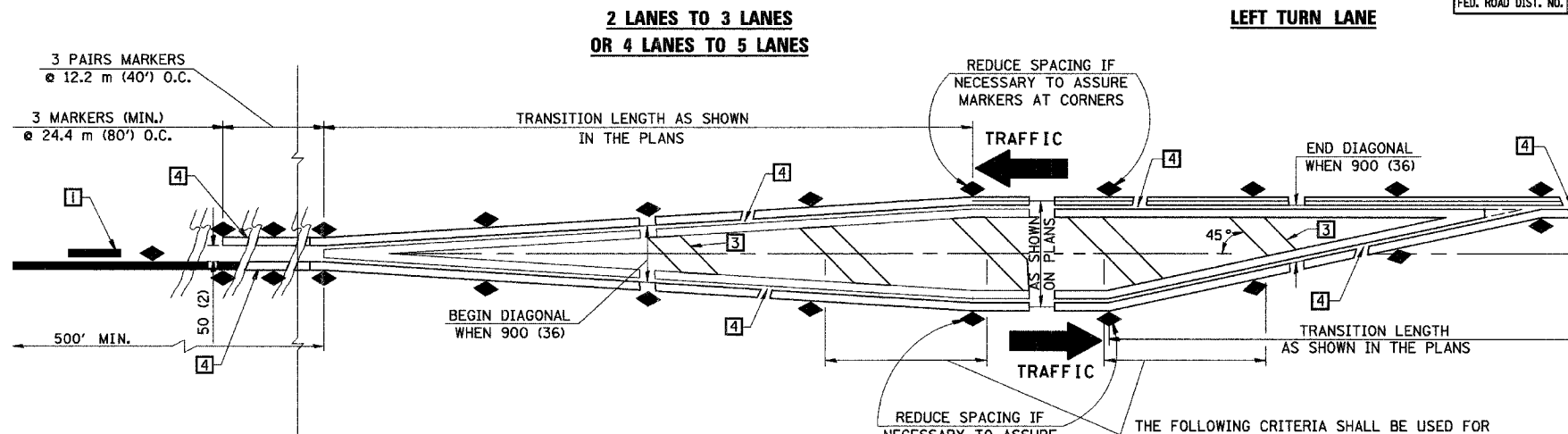
PLAN	SURVEYED	DATE
	BY	
	PLOTTED	
	CHECKED	
	NO. OF MAY CHECKED	
	CADD FILE NAME	
	NO.	



**TYPICAL DOUBLE TURN ARROWS (WHITE)**



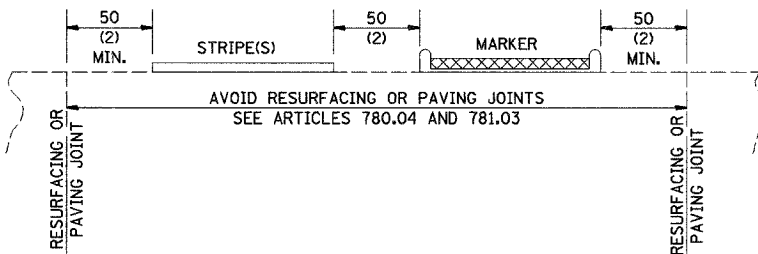
**LEFT ARROW**  
REVERSE FOR RIGHT ARROW  
AREA= 1.47 m<sup>2</sup> (15.6 SQ. FT.)  
(WHITE)



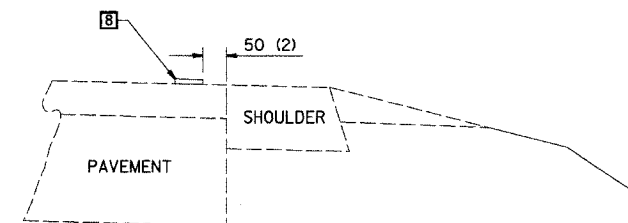
**SPECIAL NOTE:**  
THE ACTUAL MEDIAN CONFIGURATION WILL BE AS SHOWN IN THE PLANS (TAPER OR REVERSE CURVE).

THE FOLLOWING CRITERIA SHALL BE USED FOR SELECTING THE DIAGONAL PAVEMENT MARKING SPACING:  
< 50 kph USE 4.5 m (< 30 MPH USE 15')  
50-75 kph USE 6.0 m (30-45 MPH USE 20')  
> 75 kph USE 9.0 m (> 45 MPH USE 30')

**TYPICAL MEDIAN TRANSITIONS**



**RELATIONSHIP OF STRIPES, MARKERS AND JOINTS**



**RELATIONSHIP OF EDGE STRIPE TO SAFETY SHOULDER OR PAVED SURFACE**

**GENERAL NOTES**

- WHEN MEDIANS ARE PRESENT PAVEMENT MARKINGS ARE TO BE PLACED ADJACENT TO MEDIANS.
- SCALE: NONE
- SOME OF THE INFORMATION INCLUDED WITH THIS DETAIL MAY NOT BE APPLICABLE TO THIS IMPROVEMENT.
- PAVEMENT MARKINGS ARE TO BE EXTENDED THROUGH OMISSIONS WHEN APPLICABLE.
- A STRIPING KEY IS AVAILABLE ELSEWHERE AND SHALL BE SHOWN WHERE THE QUANTITIES ARE LISTED.
- FINAL PAVEMENT MARKINGS SHALL BE IN PLACE PRIOR TO PLACING ANY RAISED REFLECTIVE PAVEMENT MARKERS.
- THE FOLLOWING CRITERIA SHALL BE USED FOR SELECTING THE DIAGONAL PAVEMENT MARKING SPACING,  
< 50 kph USE 4.5 m (< 30 MPH USE 15')  
50-75 kph USE 6.0 m (30-45 MPH USE 20')  
> 75 kph USE 9.0 m (> 45 MPH USE 30')

All dimensions are in millimeters (inches) unless otherwise shown.

NAME	DATE
DESIGNED J.M.H.	6/88
CHECKED C.T.D.	6/88
CADD NO. F-5.25	

REVISIONS	
NAME	DATE
G.A.M.	11/95
CHECKED D.L.P.	12/95

REVISIONS	
NAME	DATE
D.L.P.	8/97
GEOMETRICS	6/01

REVISIONS	
NAME	DATE

CITY OF DANVILLE, ILLINOIS  
WINTER AVENUE RECONSTRUCTION  
IDOT DISTRICT 5  
CADD DETAILS

SCALE: N/A  
DRAWN BY: SRS  
DATE: 12/21/06  
CHECKED BY: MBF