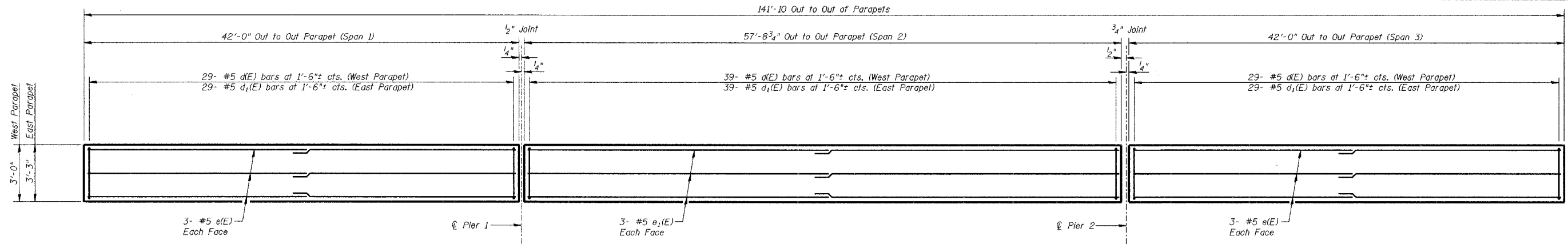


| | | | | |
|---------------------|------------------|-----------|--------------|-----------|
| ROUTE NO. | SECTION | COUNTY | TOTAL SHEETS | SHEET NO. |
| WINTER AVE. | 99-00209-01-PV | VERMILION | 296 | 115 |
| FED. ROAD DIST. NO. | ILLINOIS PROJECT | | | |

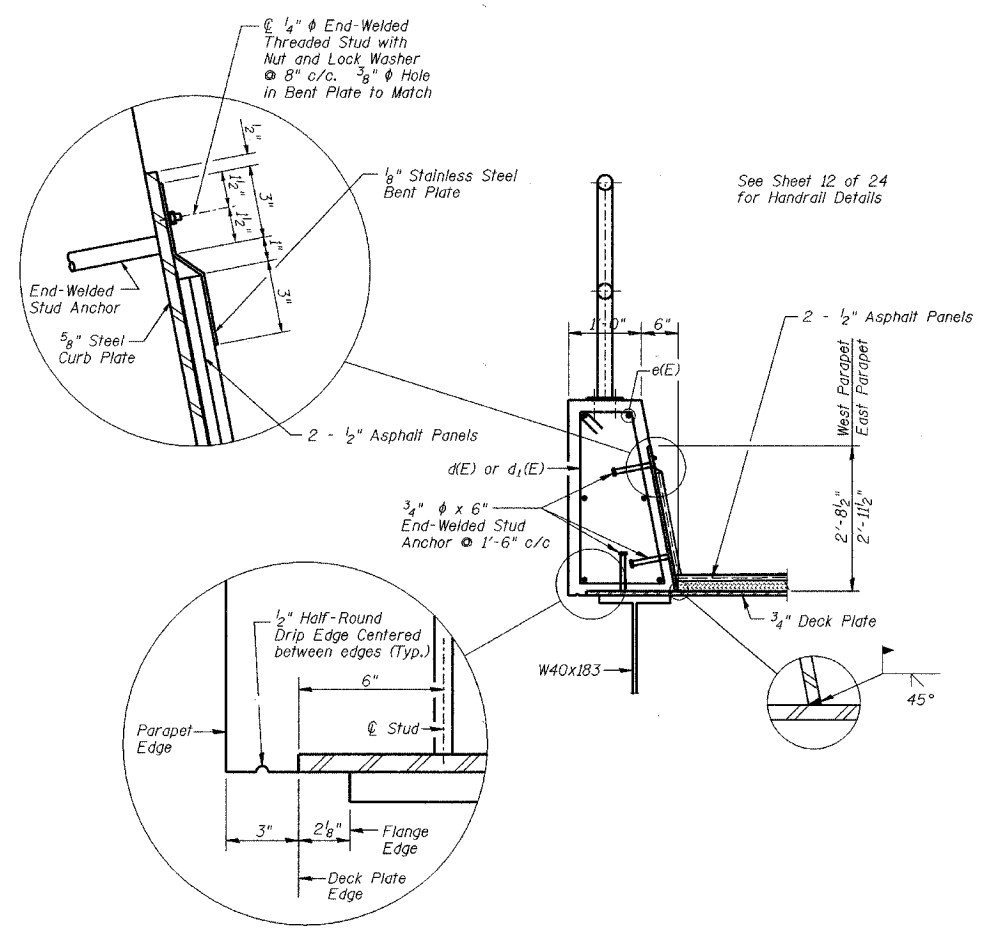
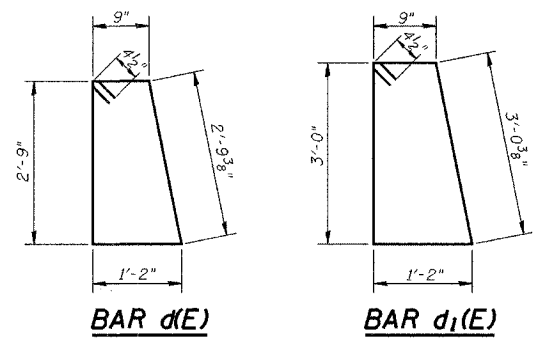
CONTRACT NO. 91358



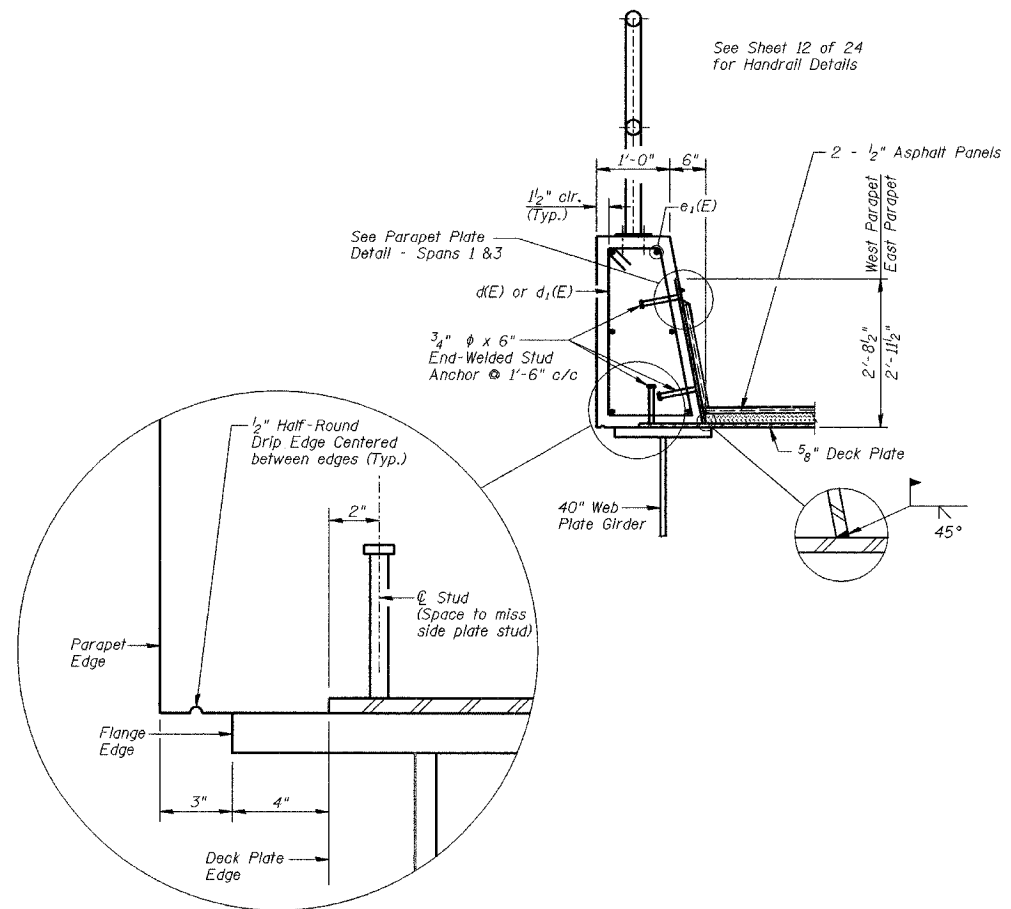
INSIDE ELEVATION OF PARAPETS

**BILL OF MATERIAL
EAST AND WEST PARAPETS**

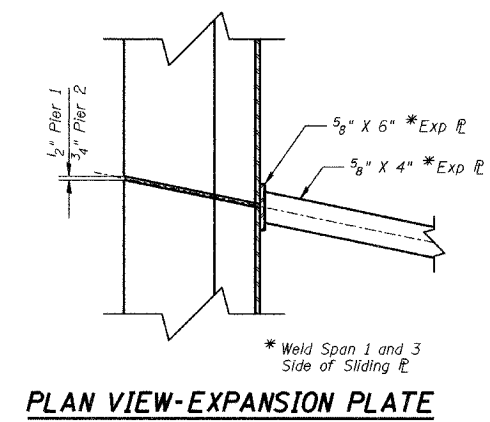
| Bar | No. | Size | Length | Shape |
|----------------------------------|-----|------|---------|-------|
| e(E) | 24 | #5 | 21'-8" | — |
| e ₁ (E) | 12 | #5 | 29'-7" | — |
| d(E) | 97 | #5 | 8'-3" | ⊏ |
| d ₁ (E) | 97 | #5 | 8'-9" | ⊏ |
| Concrete Superstructures | | | Cu. Yd. | 41.0 |
| Reinforcement Bars, Epoxy Coated | | | Pound | 2640 |



PARAPET PLATE DETAIL - SPANS 1 & 3



PARAPET PLATE DETAIL - SPAN 2



MIN. LAP
#5 bar = 1'-8"

| PARAPET DETAILS | | | Sheet No. |
|---|--------------|---|-------------|
| Date | Designed MJP | CSX TRANSPORTATION R.R. OVER WINTER AVE. MP OZA 121.6 SECTION 99-00209-01-PV CITY OF DANVILLE, IL VERMILION COUNTY STA. 5527+59.81 PROP. STR. NO. 092-6039 | 11 of 24 |
| Revisions | Drawn BKN | | |
| | Checked KWB | | |
| | Approved KWB | | |
| Prepared by: | URS | | |
| 345 East Ash Avenue, Suite B Decatur, IL 62526 | | URS Job No. 36430866 | |