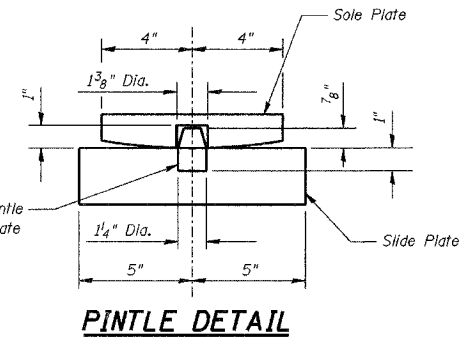
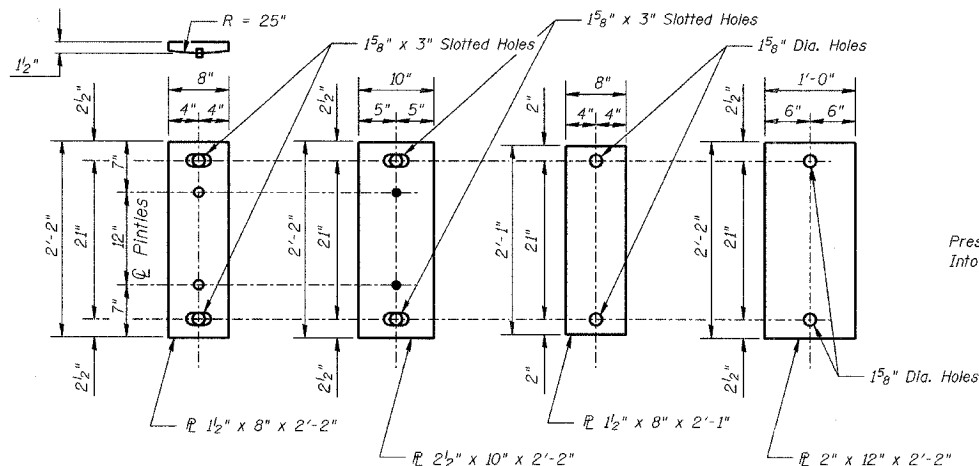
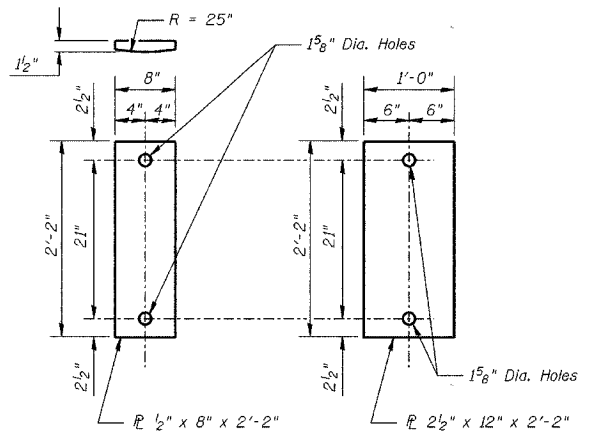


FIXED BEARINGS AT ABUTMENTS

EXPANSION BEARING - SPANS 1 & 3

FIXED BEARING - SPAN 2 (PIER 1)

EXPANSION BEARING - SPAN 2 (PIER 2)

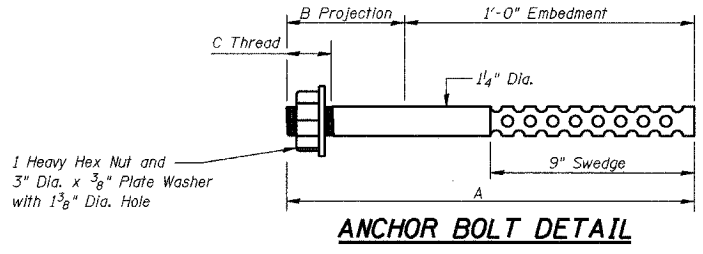


Notes

1. Material for sole plates, slide plates and masonry plates shall be A709 Grade 50 steel. Cost included with Furnishing and Erecting Structural Steel.
2. Bronze bearing and expansion plates shall conform to ASTM B22, Alloy C91100. Solid lubricant shall be in accordance with AREMA Chapter 15, Section 10.4.2.3. Top surface of bronze plate shall be provided with trepanned recesses which shall be filled with the solid lubricant per AREMA Chapter 15 Section 11.3.1b. Edges of bronze plate shall be chamfered. Cost included in Furnishing and Erecting Structural Steel.
3. All structural steel bearing plates shall be flat rolled steel plates with all surfaces smooth and free from warp and all edges smooth, straight and vertical.
4. All plate cuts shall be machine or machine flame cuts.
5. Bearing pads shall be Shock Pad Style No. 15175 as manufactured by Alert Manufacturing and Supply Company, Chicago, Illinois, or FABREEKA Pads as manufactured by Fabreka Products Company, 1190 Adams Street, Boston, Massachusetts, or SORBTEX Pads as manufactured by Voss Engineering, Inc., Chicago, Illinois or approved equal. Cost of pads shall be included in the cost of Concrete Structures.

PLATE DETAILS - SPAN 2 (PIER 1)

PLATE DETAILS - SPAN 2 (PIER 2)



ANCHOR BOLT DIMENSIONS

Location	A	B	C	Qty.
Span 1 & 3 Brgs.	1'-6"	6"	3 1/2"	104
Fixed Brgs. Span 2 (Pier 1)	1'-7"	7"	3"	26
Fixed Brgs. Span 2 (Pier 2)	1'-10"	10"	3 1/2"	26

BILL OF MATERIAL

Item	Unit	Quantity
Anchor Bolts, 1 1/4"	Each	156

BEARING DETAILS

Date	Designed MJP	CSX TRANSPORTATION R.R. OVER WINTER AVE. MP OZA 12L6 SECTION 99-00209-01-PV CITY OF DANVILLE, IL VERMILION COUNTY STA. 5527+59.81 PROP. STR. NO. 092-6039	Sheet No.
Revisions	Drawn MLS		13
	Checked KWB		
	Approved KWB		
Prepared by:	URS 345 East Ash Avenue, Suite B Decatur, IL 62526		of 24 URS Job No. 36430866