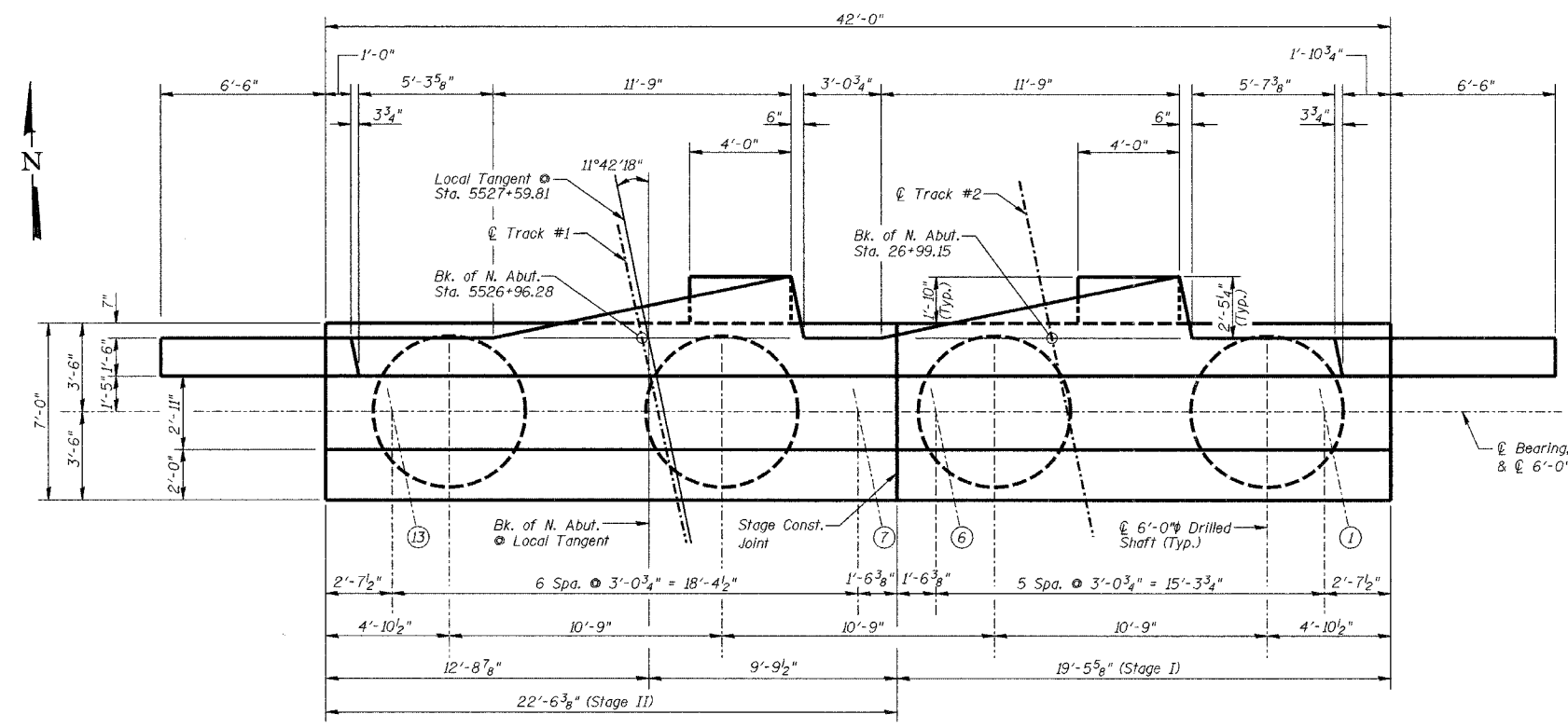


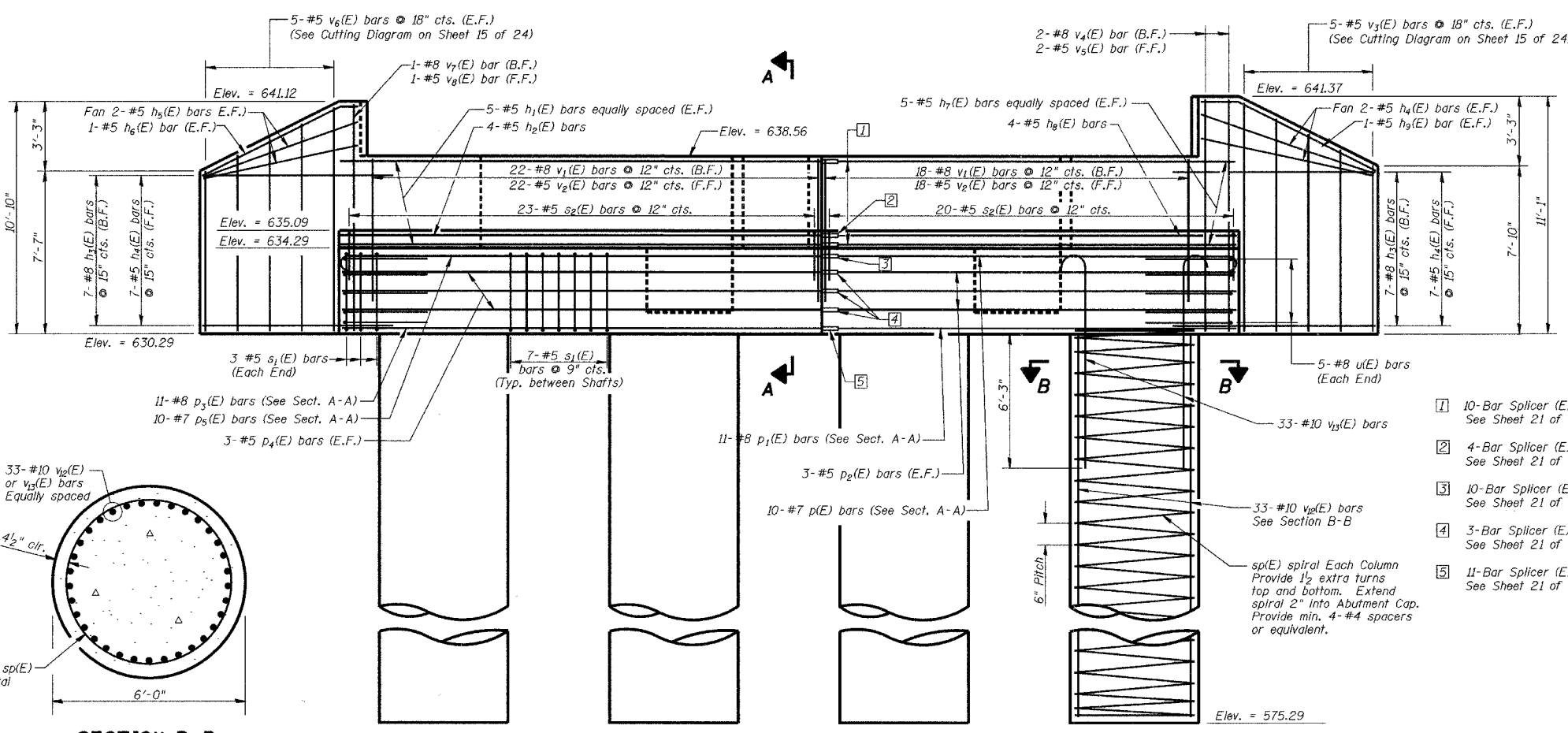
ROUTE NO.	SECTION	COUNTY	TOTAL SHEETS	SHEET NO.
WINTER AVE.	99-00209-01-PV	VERMILION	296	118
FED. ROAD DIST. NO.	ILLINOIS PROJECT		CONTRACT NO. 91358	

NOTES:

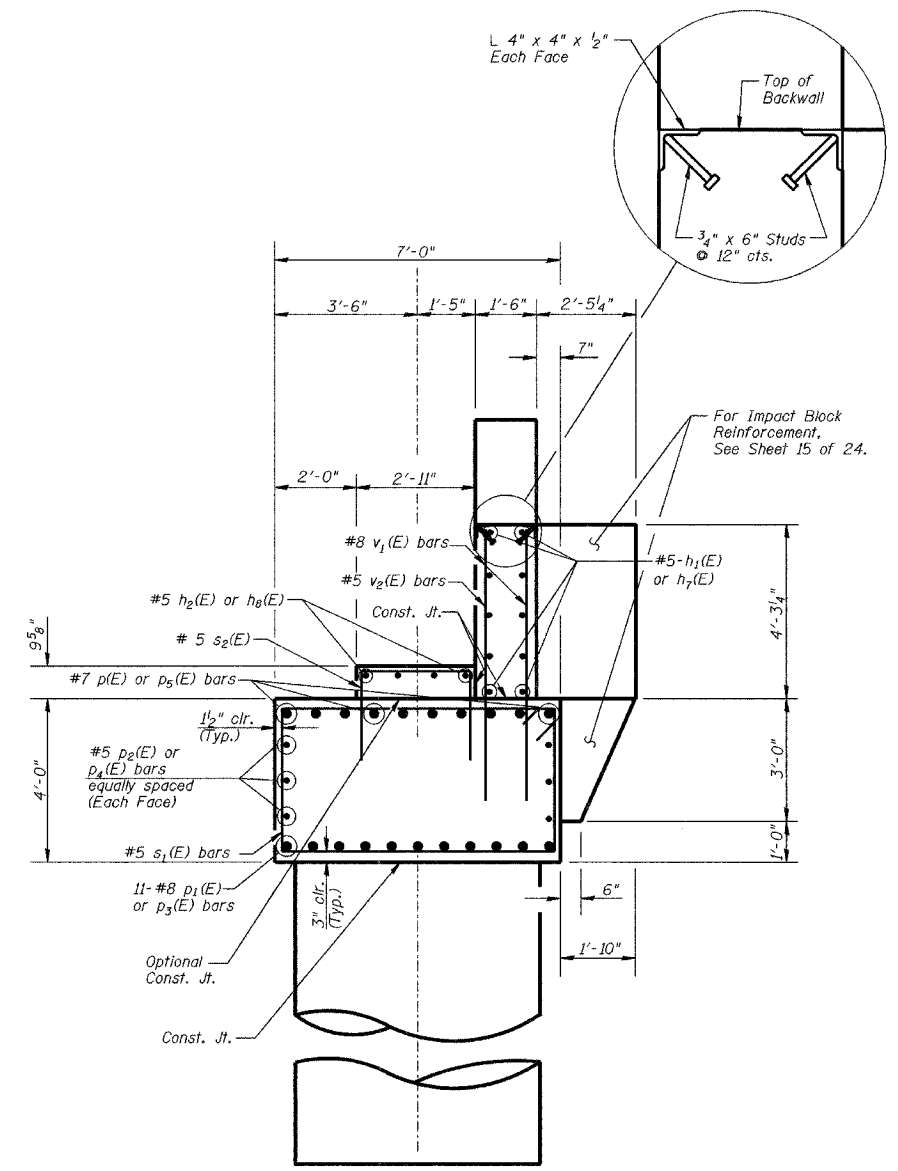
- PJF material shall be placed between the Parapet and Abutment Wingwalls.
- Four Backwall after Superstructure is in place, but prior to placing End Deck Plate.
- See Sheet 15 of 24 for Bill of Material.



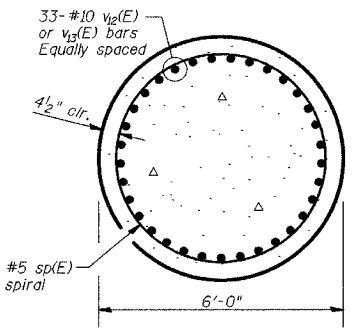
PLAN



ELEVATION



SECTION A-A



SECTION B-B

- 10-Bar Splicer (E) for #5 bars See Sheet 21 of 24 for details.
- 4-Bar Splicer (E) for #5 bars See Sheet 21 of 24 for details.
- 10-Bar Splicer (E) for #7 bars See Sheet 21 of 24 for details.
- 3-Bar Splicer (E) for #5 bars (Each Face) See Sheet 21 of 24 for details.
- 11-Bar Splicer (E) for #8 bars See Sheet 21 of 24 for details.

NORTH ABUTMENT		CSX TRANSPORTATION R.R. OVER WINTER AVE. MP OZA 121.6 SECTION 99-00209-01-PV CITY OF DANVILLE, IL VERMILION COUNTY STA. 5527+59.81 PROP. STR. NO. 092-6039	Sheet No.
Date	Designed MJP		14
Revisions	Drawn BKN		of 24
	Checked KWB		URS Job No.
	Approved KWB		36430866
Prepared by: URS 345 East Ash Avenue, Suite B Decatur, IL 62526			