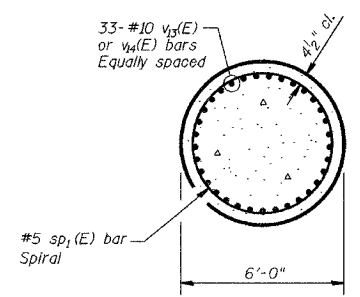
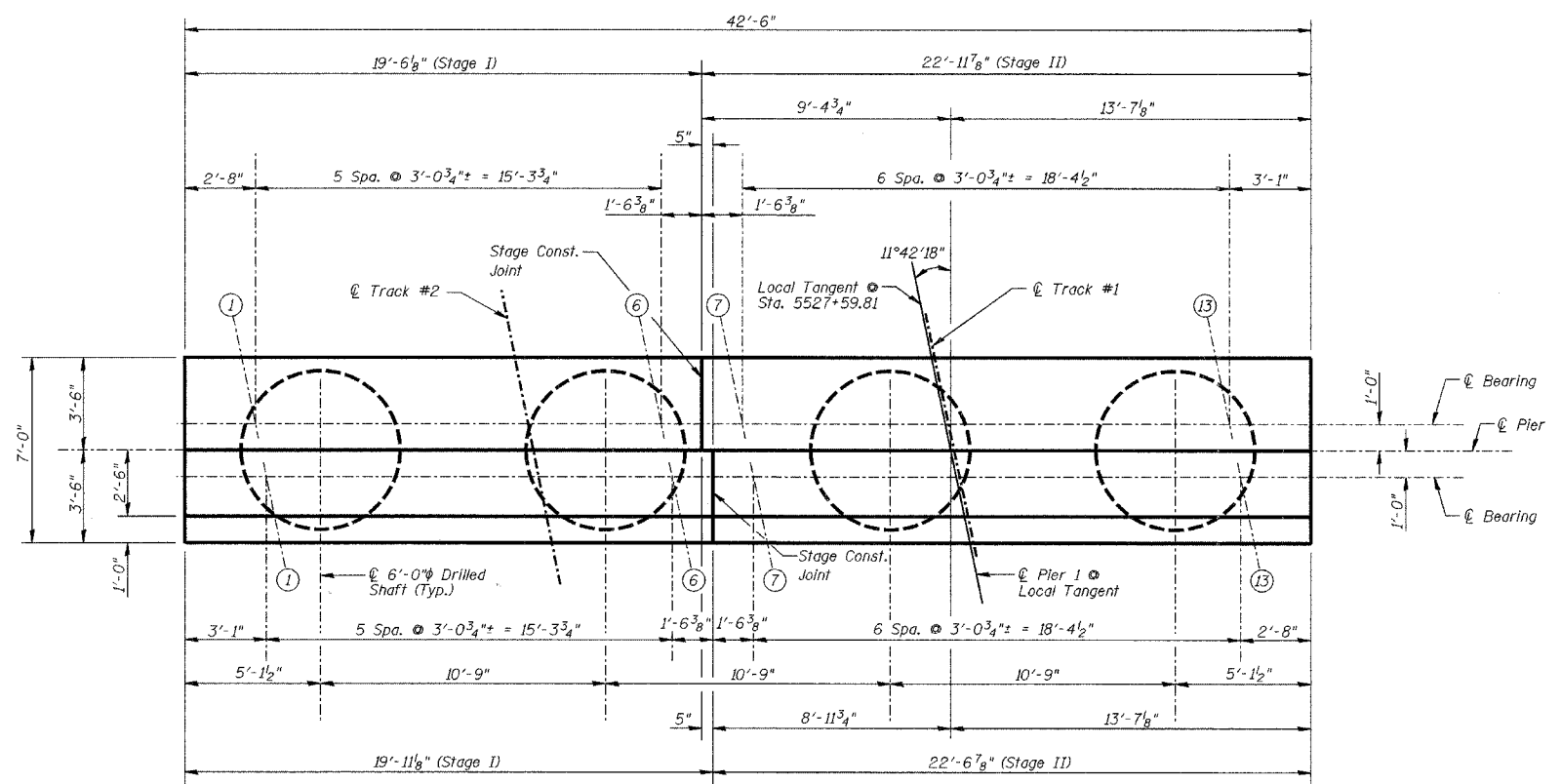


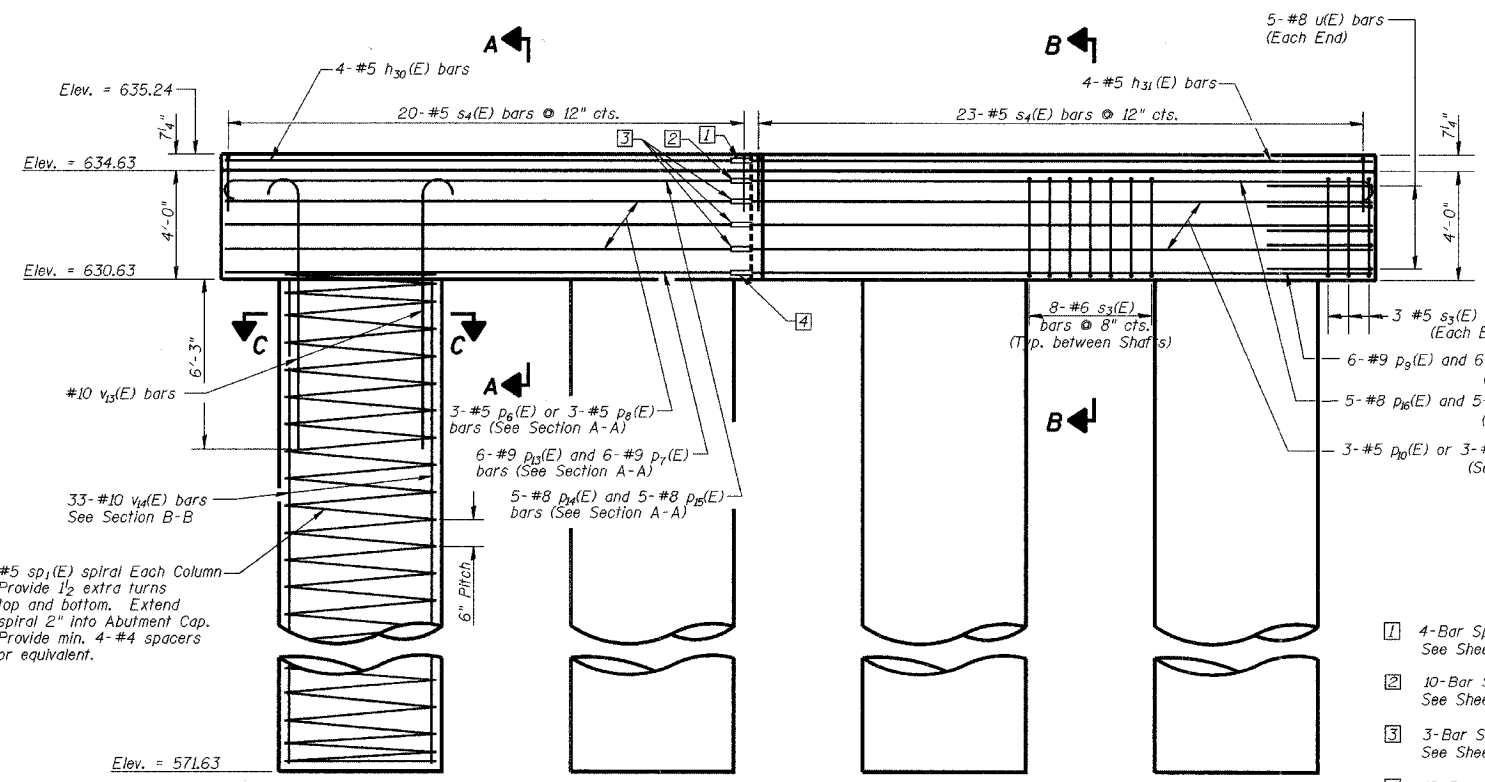
ROUTE NO.	SECTION	COUNTY	TOTAL SHEETS	SHEET NO.
WINTER AVE.	99-00209-01-PV	VERMILION	296	122
FED. ROAD DIST. NO.	ILLINOIS	PROJECT		

CONTRACT NO. 91358

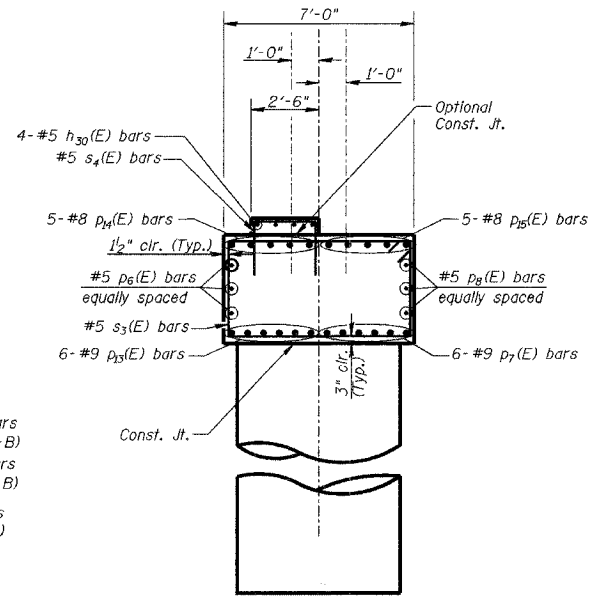


SECTION C-C

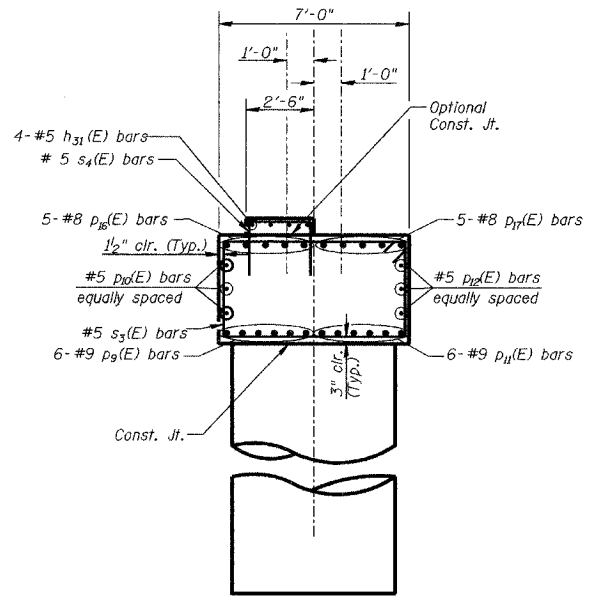
PLAN



ELEVATION



SECTION A-A



SECTION B-B

- 1 4-Bar Splicer (E) for #5 bars See Sheet 21 of 24 for details.
- 2 10-Bar Splicer (E) for #8 bars See Sheet 21 of 24 for details.
- 3 3-Bar Splicer (E) for #5 bars (Each Face) See Sheet 21 of 24 for details.
- 4 12-Bar Splicer (E) for #9 bars See Sheet 21 of 24 for details.

See Sheet 20 of 24 for Bill of Material.

PIER I			Sheet No.
Date	Designed MJP	CSX TRANSPORTATION R.R. OVER WINTER AVE. MP OZA 12L6 SECTION 99-00209-01-PV CITY OF DANVILLE, IL VERMILION COUNTY STA. 5527+59.81 PROP. STR. NO. 092-6039	18 of 24
Revisions	Drawn BKN		
	Checked KWB		
	Approved KWB		
Prepared by:	URS 345 East Ash Avenue, Suite B Decatur, IL 62526		URS Job No. 36430866