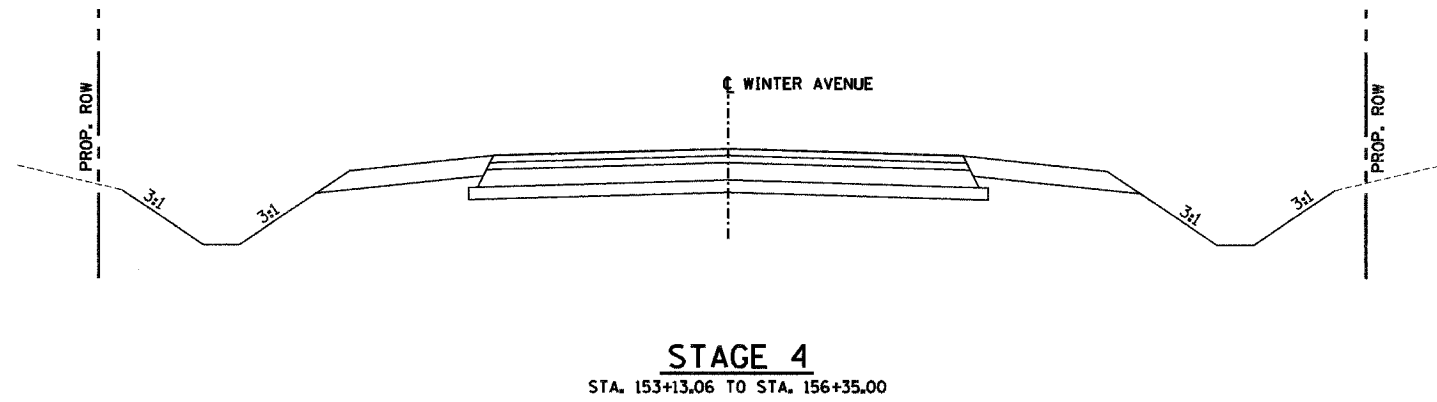


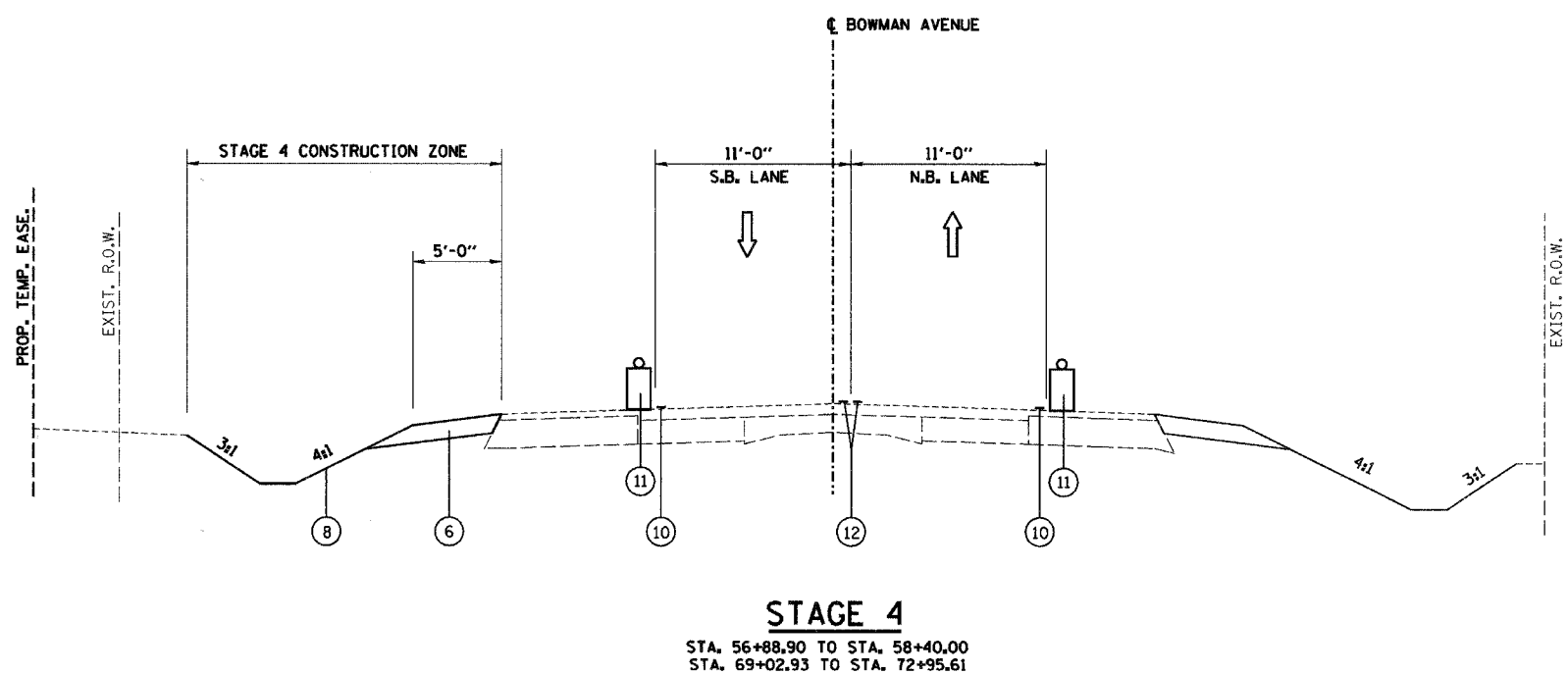
| | | | | |
|------------------------------|----------------|-------------------|--------------|-----------|
| F.A.J. RTE. | SECTION | COUNTY | TOTAL SHEETS | SHEET NO. |
| 6998 | 99-00209-01-PV | VERMILION | 296 | 143 |
| STA. N/A | | TO STA. N/A | | |
| FED. ROAD DIST. NO. ILLINOIS | | FED. AID PROJECT- | | |
| CONTRACT NO.: 91358 | | | | |

| | | |
|------|---------------------|------|
| PLAN | SURVEYED | DATE |
| | PLOTTED | |
| | CHECKED | |
| | BY | |
| | NO. OF WYS. CHECKED | |
| | CADD FILE NAME | |
| | NO. | |



LEGEND, TRAFFIC MAINTENANCE

- ① POLYMERIZED HOT-MIX ASPHALT SURFACE COURSE, MIX "D", N70, 2"
- ② POLYMERIZED HOT-MIX ASPHALT BINDER COURSE, IL-19.0, N70, 2 1/4"
- ②A HOT-MIX ASPHALT BINDER COURSE, IL-19.0, N70, 5 3/4"
- ③ AGGREGATE BASE COURSE, TYPE A, 5.5"
- ④ AGGREGATE BASE COURSE, TYPE A, 6.5"
- ⑤ COMBINATION CONCRETE CURB & GUTTER, TYPE B-6.24
- ⑥ AGGREGATE SHOULDER, TYPE A, 6"
- ⑦ PORTLAND CEMENT CONCRETE SIDEWALK, 5" (FOR BICYCLE PATH)
- ⑧ SEEDING, CLASS 1A
- ⑨ TEMPORARY EROSION CONTROL SEEDING
- ⑩ TEMPORARY PAVEMENT MARKING LINE 4" WHITE OR YELLOW
- ⑪ TEMPORARY LIGHTED BARRICADE, DRUM, OR VERTICAL PANEL
- ⑫ TEMPORARY PAVEMENT MARKING LINE 4" DOUBLE YELLOW AT 6" C-C
- ⑬ EXISTING PAVEMENT MARKING
- ⑭ TEMPORARY BITUMINOUS PAVEMENT, 6"
- ⑮ TEMPORARY AGGREGATE SHOULDER, 6"



| REVISIONS | | CITY OF DANVILLE, ILLINOIS WINTER AVENUE RECONSTRUCTION |
|---------------|------|--|
| NAME | DATE | |
| | | MAINTENANCE OF TRAFFIC TYPICAL SECTIONS |
| | | |
| | | |
| | | |
| | | |
| | | |
| | | |
| | | |
| | | |
| | | |
| SCALE: NTS | | DATE: 12/21/06 |
| DRAWN BY: MLS | | CHECKED BY: MBF |