

130 120 110 100 90 80 70 60 50 40 30 20 10 0 10 20 30 40 50 60 70 80 90 100 110

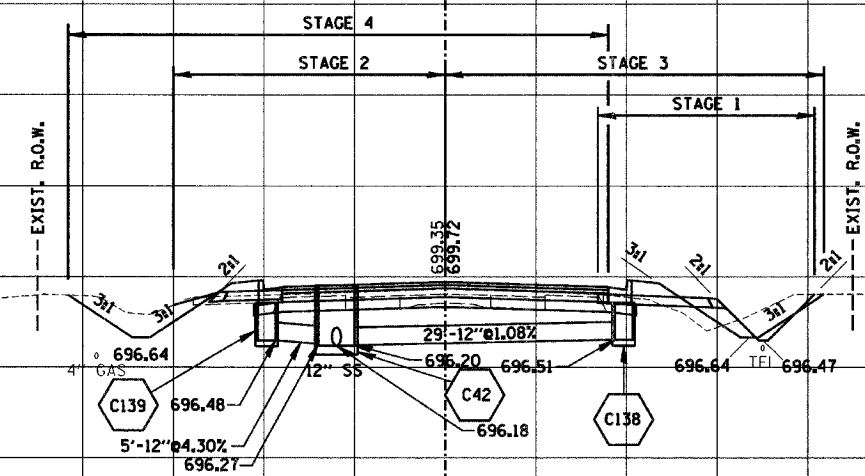
F.A.P. RTE.	SECTION	COUNTY	TOTAL SHEETS	SHEET NO.
6998	99-00209-01-PV	VERMILION	296	282
STA.		TO STA.		
FED. ROAD DIST. NO.		ILLINOIS FED. AID PROJECT		
CONTRACT NO.: 91358				
SCALE				
HORIZ. 1"=10'				
VERT. 1"=5'				

FINAL SURVEY BY DATE  
 SURVEYED BY DATE  
 TEMPLATE NO.  
 AREAS CHECKED

ORIGINAL SURVEY BY DATE  
 SURVEYED BY DATE  
 TEMPLATE NO.  
 AREAS CHECKED

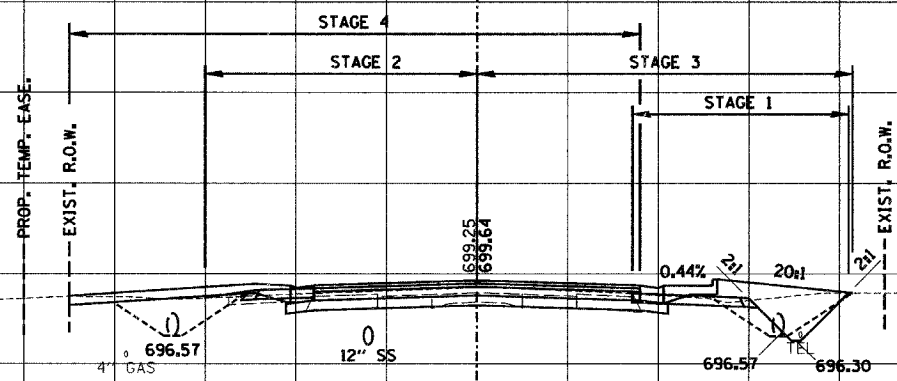
720  
715  
710  
705  
700  
695  
690  
685  
715  
710  
705  
700  
695  
690

720  
715  
710  
705  
700  
695  
690  
685  
715  
710  
705  
700  
695  
690



STAGE_1-C=11.5	F=5.9
STAGE_2-C=1.1	F=2.4
STAGE_3-C=7.8	F=7.4
STAGE_4-C=15.9	F=4.3

64+73.00



STAGE_1-C=20.1	F=0.4
STAGE_2-C=0.7	F=3.3
STAGE_3-C=2.4	F=27.8
STAGE_4-C=5.6	F=1.2

64+50.00

130 120 110 100 90 80 70 60 50 40 30 20 10 0 10 20 30 40 50 60 70 80 90 100 110 120 130

BOWMAN AVE