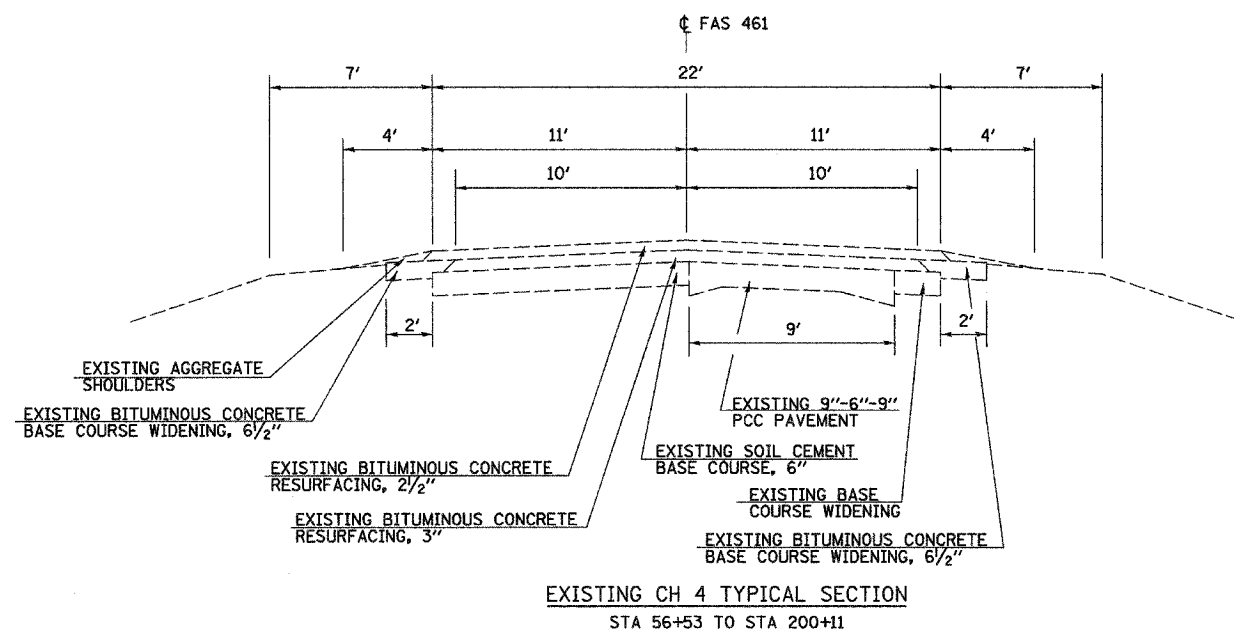
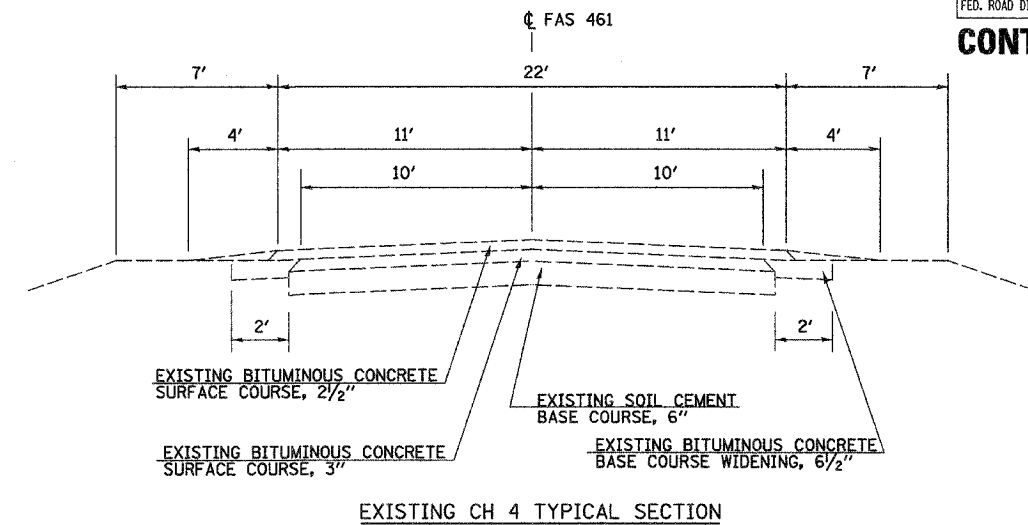


F.A.S. RTE.	SECTION	COUNTY	TOTAL SHEETS	SHEET NO.
461	04-00001-03-RS	MASON	19	3
FED. ROAD DIST. NO.	ILLINOIS	FED. AID PROJECT		

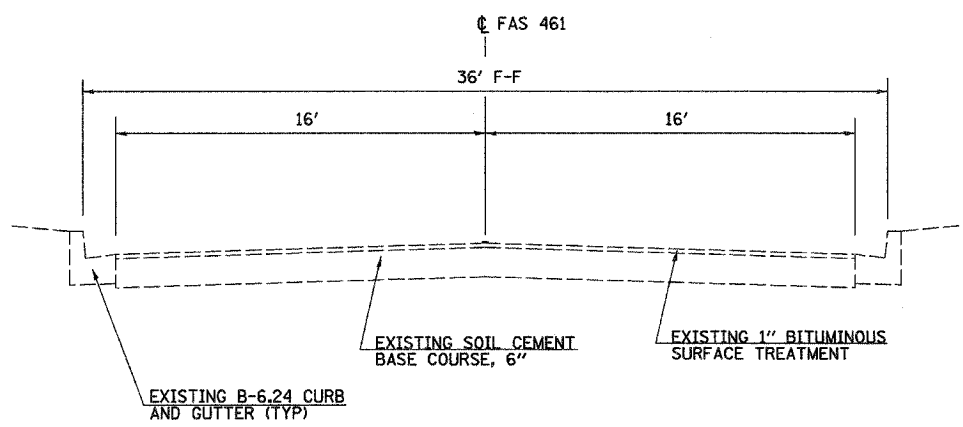
**CONTRACT NO. 93432**



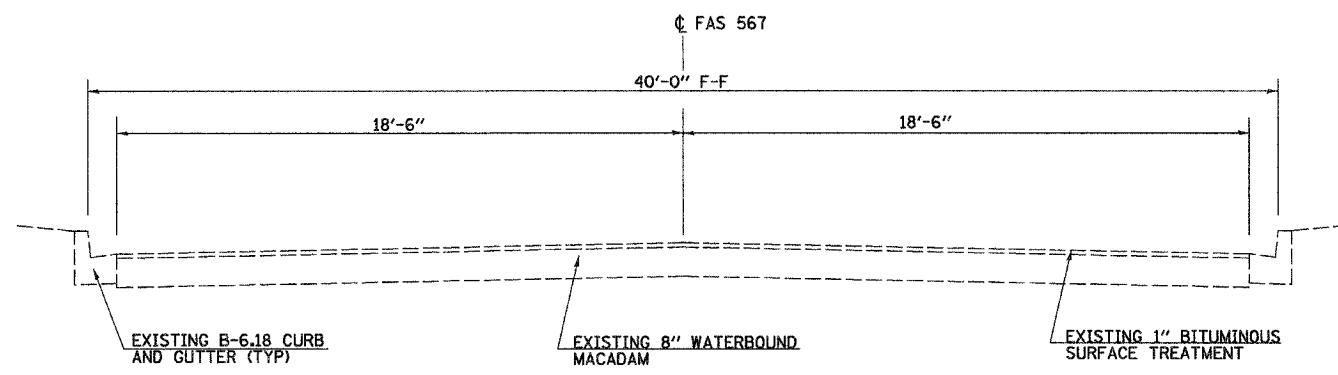
**EXISTING CH 4 TYPICAL SECTION**  
STA 56+53 TO STA 200+11



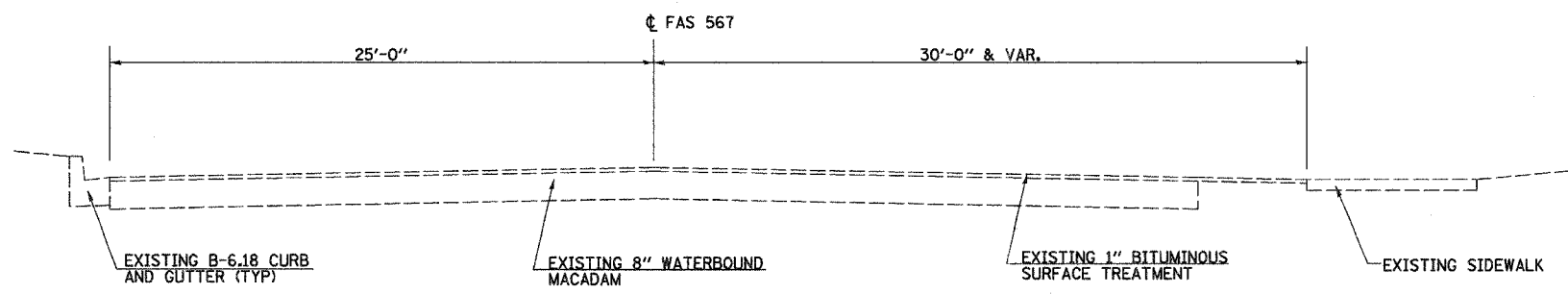
**EXISTING CH 4 TYPICAL SECTION**  
STA 4+60 TO STA 56+53  
STA 200+11 TO STA 231+37  
STA 231+33 TO STA 232+37 BRIDGE OMISSION  
STA 232+37 TO STA 244+87  
STA 244+87 TO STA 244+97 RAILROAD OMISSION



**EXISTING CH 4 TYPICAL SECTION**  
STA 244+97 TO STA 256+40



**EXISTING CH 20 TYPICAL SECTION**  
STA 823+25 TO STA 827+14



**EXISTING CH 20 TYPICAL SECTION**  
STA 827+14 TO STA 831+47

REVISIONS	
NAME	DATE

ILLINOIS DEPARTMENT OF TRANSPORTATION

**EXISTING TYPICAL SECTIONS**

SCALE: DATE: 11-22-06

DRAWN BY JCW  
CHECKED BY AWM