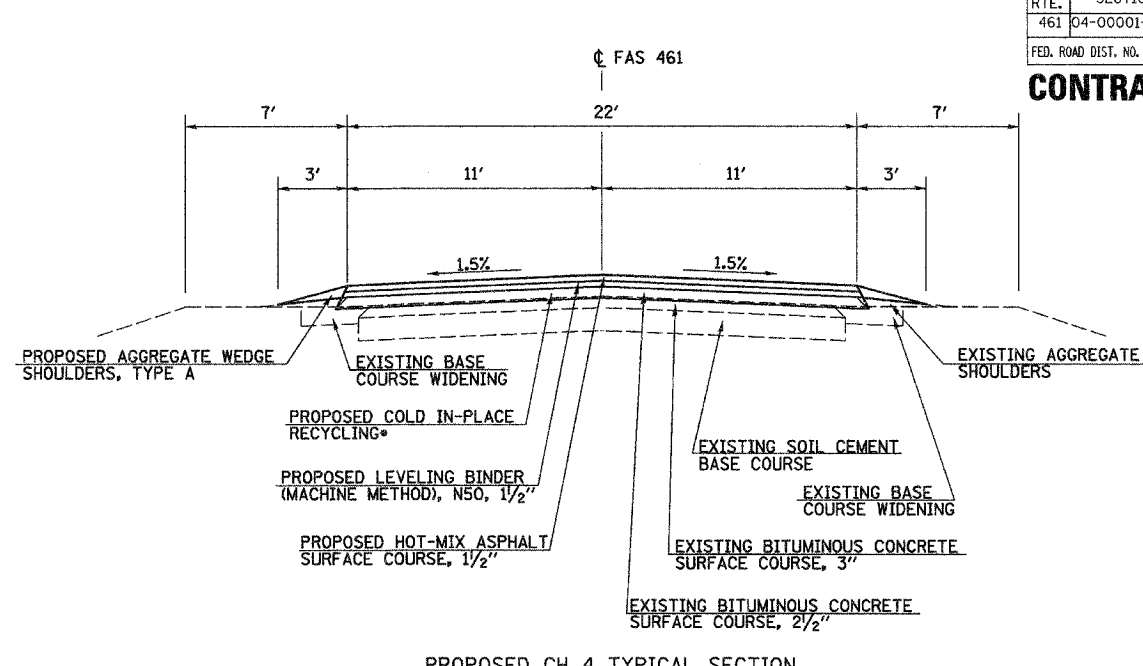
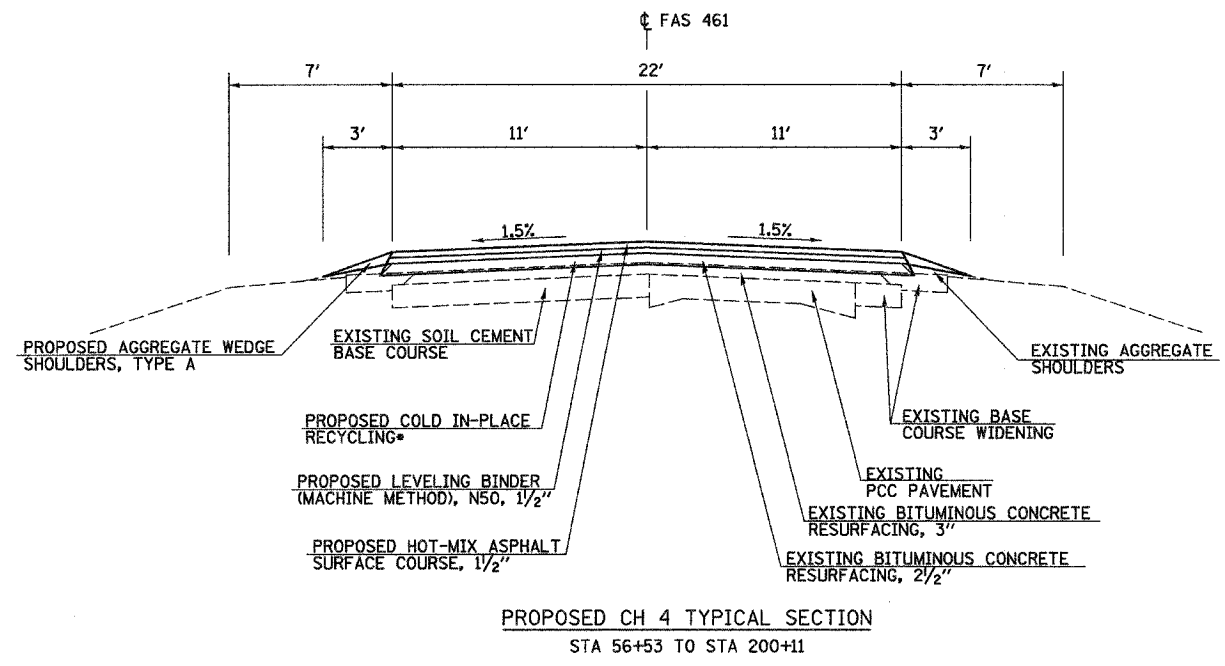
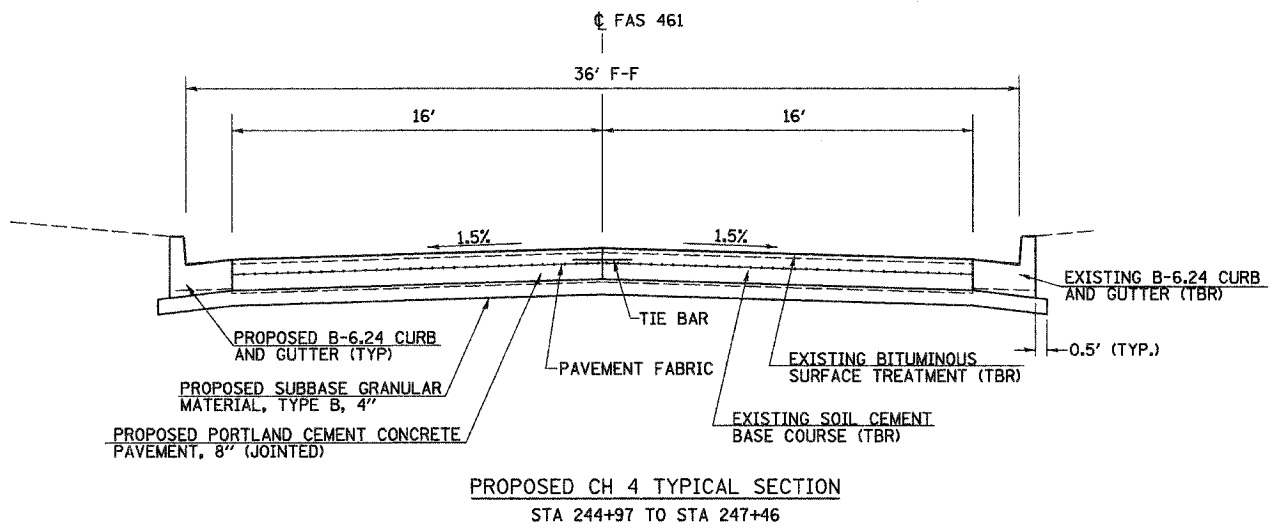
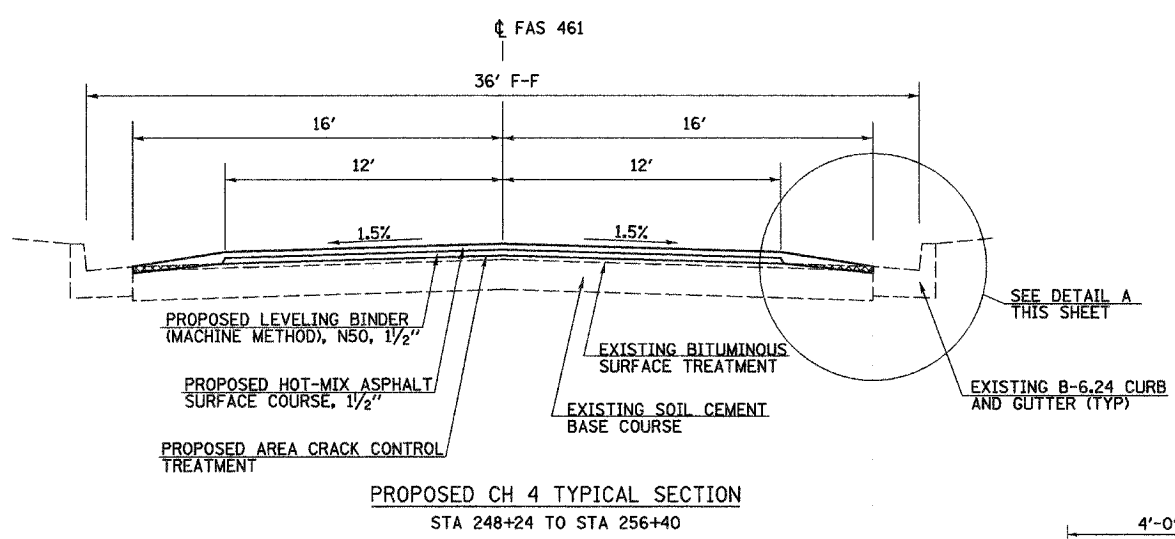


E.A.S. RTE.	SECTION	COUNTY	TOTAL SHEETS	SHEET NO.
461	04-00001-03-RS	MASON	19	4
FED. ROAD DIST. NO.	ILLINOIS	FED. AID PROJECT		

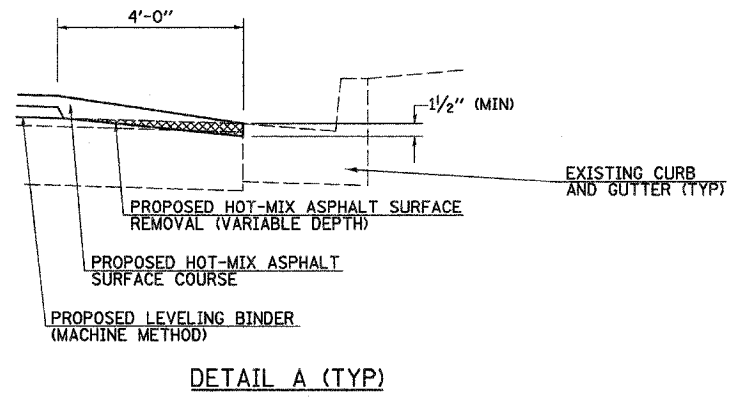
CONTRACT NO. 93432



* THE DEPTHS OF COLD IN-PLACE RECYCLING ARE AS FOLLOWS:
 STA 4+60 TO STA 57+40: 4"
 STA 57+40 TO STA 212+80: 3"
 STA 212+80 TO STA 244+50: 4"



PAVEMENT STRUCTURAL DESIGN INFORMATION (RIGID)			
ROAD CLASSIFICATION: CLASS III (80,000 LB TRUCK ROUTE)			
STRUCTURAL DESIGN TRAFFIC (2017):			
PV = 1200	SU = 99	MU = 113	
PERCENT OF STRUCTURAL DESIGN TRAFFIC IN DESIGN LANE:			
P = 50%	S = 50%	M = 50%	
TRAFFIC FACTOR TF = 0.77			
USE 8" PCC PAVEMENT (JOINTED) WITH #6 BARS ALONG LONGITUDINAL JOINT, REINFORCED WITH PAVEMENT FABRIC, ON 4" SUB-BASE GRANULAR MATERIAL			



REVISIONS	
NAME	DATE

ILLINOIS DEPARTMENT OF TRANSPORTATION

PROPOSED TYPICAL SECTIONS

SCALE: _____ DATE: 11-22-06

DRAWN BY JCW
CHECKED BY AWM