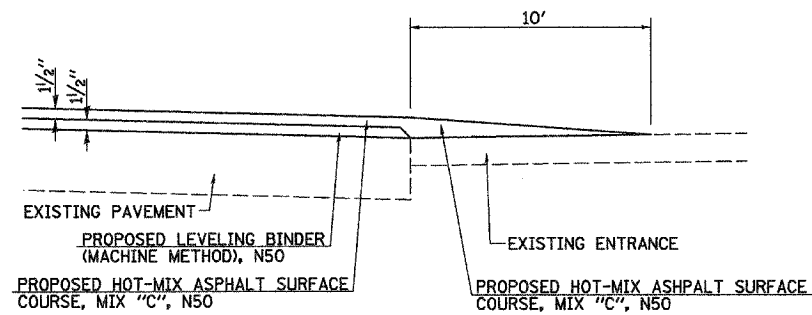
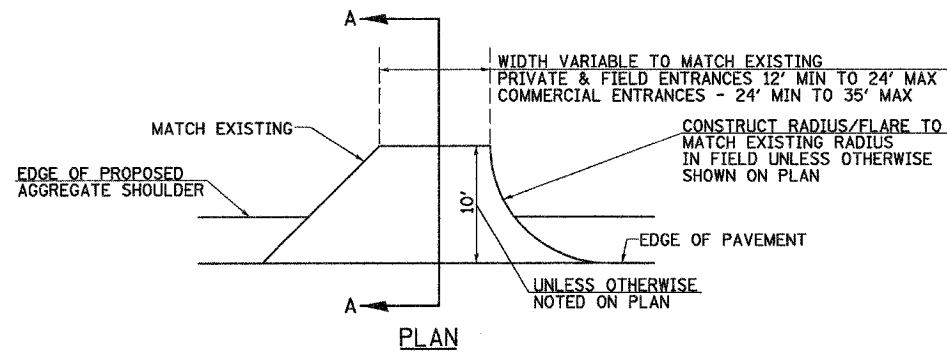
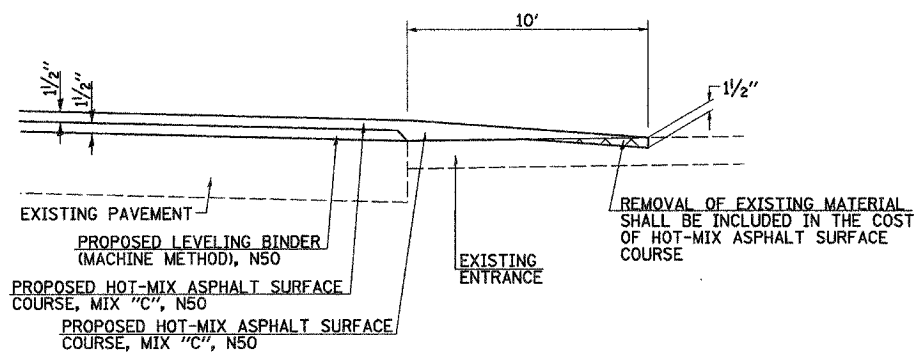


F.A.S. RTE	SECTION	COUNTY	TOTAL SHEETS	SHEET NO.
461	04-00001-03-RS	MASON	19	17
FED. ROAD DIST. NO.	ILLINOIS	PROJECT NO.		

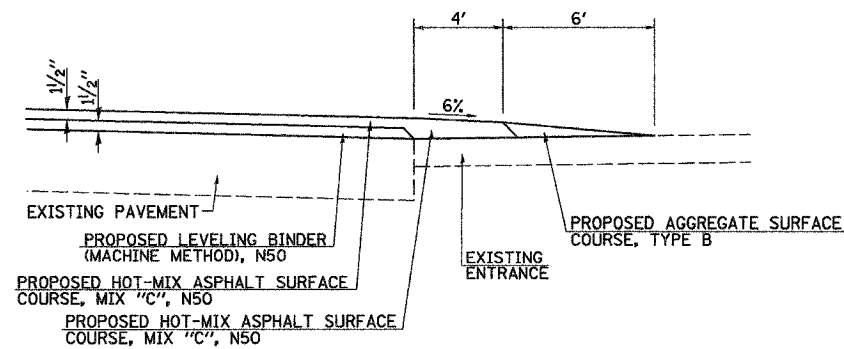
CONTRACT NO. 93492



SECTION A-A
EXISTING HOT-MIX ASPHALT OR CONCRETE ENTRANCES

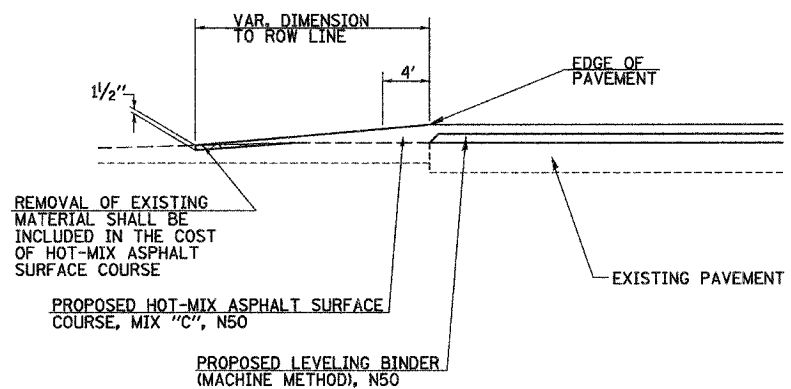
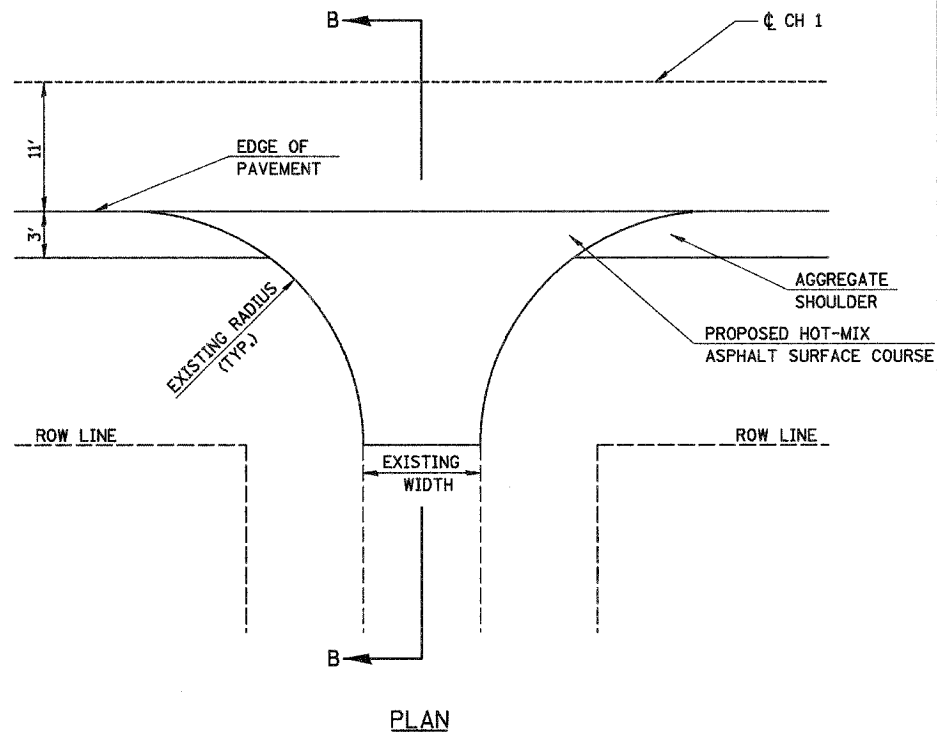


SECTION A-A
EXISTING AGGREGATE PRIVATE OR COMMERCIAL ENTRANCES



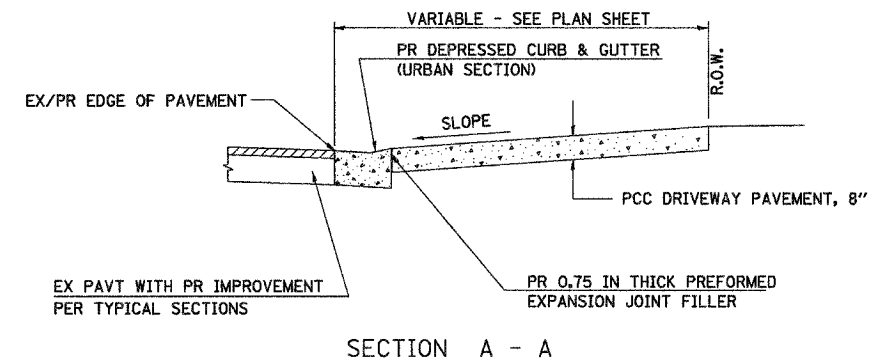
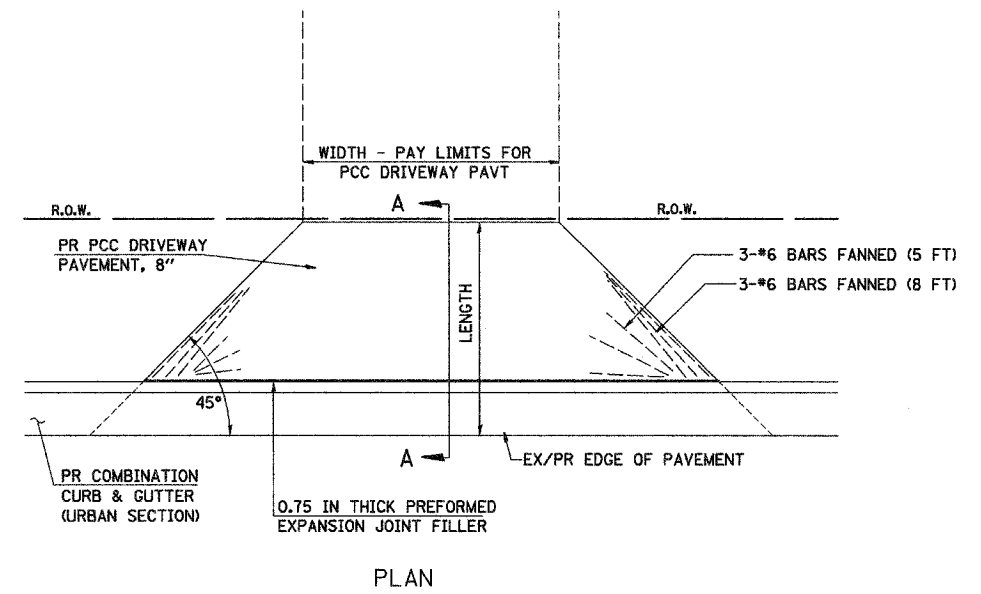
SECTION A-A
EXISTING FIELD ENTRANCES

ENTRANCE TAPERS



SECTION B-B
PROPOSED SIDEROAD TAPER

SIDEROAD DETAIL



NOTE:
THE COST OF FURNISHING AND INSTALLING THE 0.75 IN PREFORMED EXPANSION JOINT FILLER AND REINFORCEMENT BARS SHALL BE INCLUDED IN THE COST OF P.C.C. DRIVEWAY PAVEMENT.

CONCRETE ENTRANCE DETAIL

REVISIONS	
NAME	DATE

SPECIAL DETAILS

SCALE:
DATE: 11-22-06

DRAWN BY JCW
CHECKED BY AWM