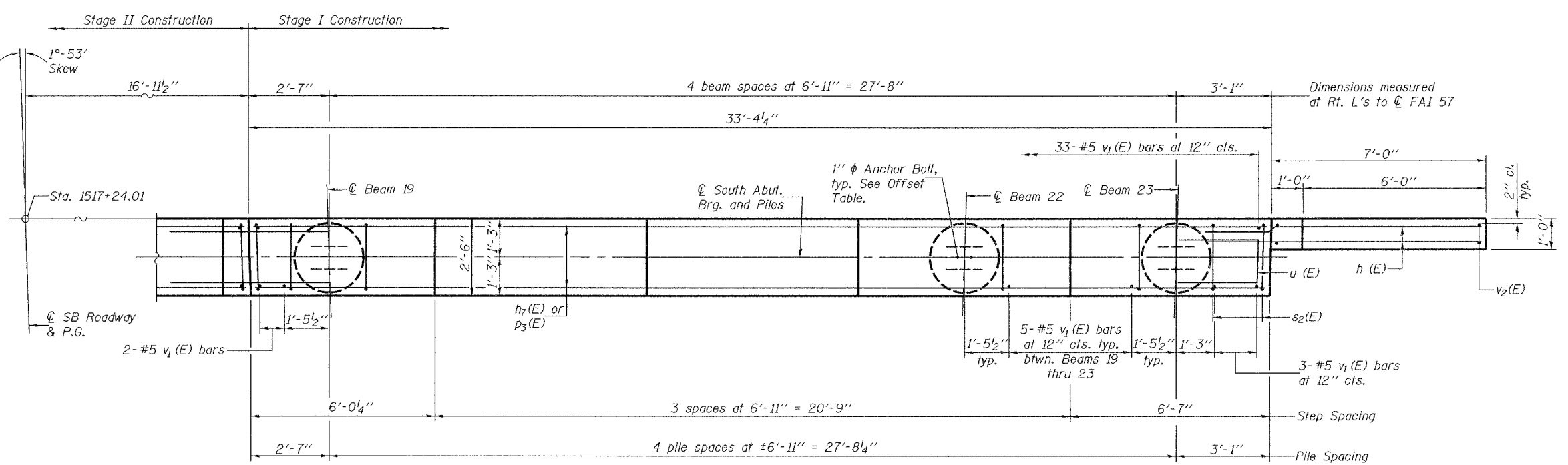
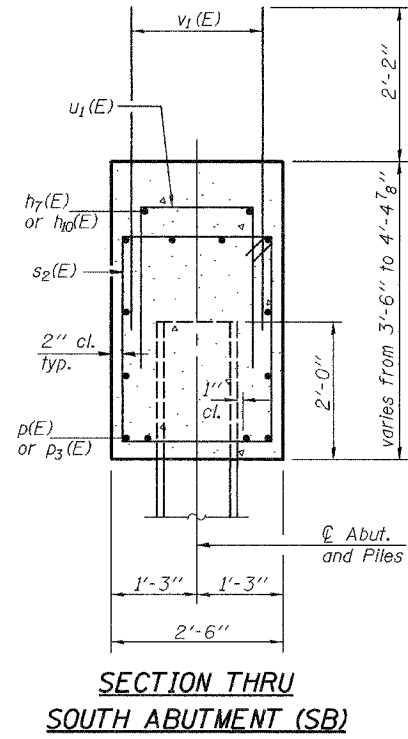
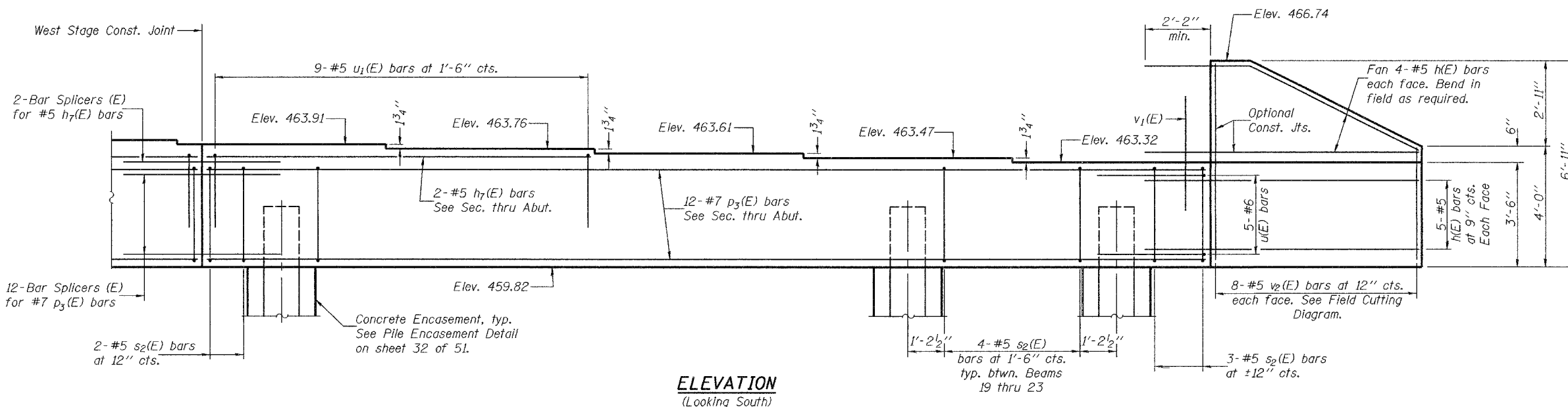


STATE OF ILLINOIS
DEPARTMENT OF TRANSPORTATION

ROUTE NO.	SECTION	COUNTY	JUST#	SHEET NO.	SHEET NO. 38
F.A.I. 57	XI-6-2) VB-2	WILLIAMSON	917	371	51 SHEETS
FED. ROAD DIST. NO. 7	ILLINOIS	FED. AID PROJECT			

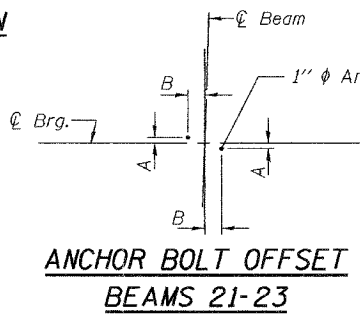
Contract #98950

Notes: Pour steps monolithically with cap.
Space reinforcement in cap to miss anchor bolts.
For Anchor Bolt installation details see sheet 30 of 51.
For Bar Splicer details see sheet 48 of 51.
For bar bending details and Field Cutting Diagram see sheet 33 of 51.

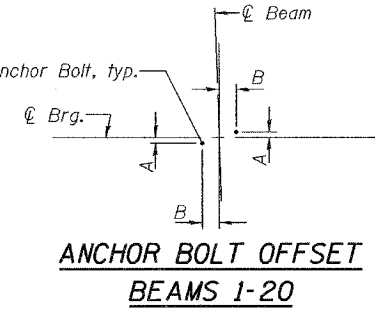


PLAN

PILE DATA
(S. ABUTMENT - SB)
Type: HP14x73
Nominal Required Bearing: 578 kips
Factored Resistance Available: 289 kips
Est. Length: 60 feet
No. of Production Piles: 12



Beam No.	A	B
Beams 1 thru 20	1/8"	2 5/8"
Beam 21	0	2 5/8"
Beam 22	1/8"	2 5/8"
Beam 23	1/8"	2 5/8"



BILL OF MATERIAL
SOUTH ABUTMENT-SN 100-0087 (S.B)

Bar	No.	Size	Length	Shape
h(E)	18	#5	9'-5"	—
h7(E)	2	#5	12'-7"	—
h10(E)	4	#5	25'-2"	—
p(E)	24	#7	26'-10"	—
p3(E)	12	#7	33'-0"	—
s2(E)	50	#5	11'-5"	□
u(E)	10	#6	7'-2"	□
u1(E)	42	#5	6'-10"	□
v1(E)	143	#5	4'-4"	—
v2(E)	8	#5	10'-2"	—
Concrete Encasement		Cu. Yd.	5.3	
Concrete Structures		Cu. Yd.	32.2	
Reinforcement Bars, Epoxy Coated		Pound	4170	
Structure Excavation		Cu. Yd.	180	
Furnishing Steel Piles HP14x73		Foot	720	
Driving Piles		Foot	720	

SOUTH ABUTMENT (STAGE I - SB)
F.A.I. RT. 57 SEC. (XI-6-2)VB-2
WILLIAMSON COUNTY
STA. 1516+58.56
S.N. 100-0086 (N.B.)
S.N. 100-0087 (S.B.)

DESIGNED	Michael D. Cima
CHECKED	Fess Teklehaimanot
DRAWN	BECKY M. LEACH
CHECKED	M.D.C. & F.T.

January 22, 2007
EXAMINED *Thomas J. Domagala*
PASSED *Ralph E. Anderson*
ENGINEER OF BRIDGE DESIGN
ENGINEER OF BRIDGES AND STRUCTURES