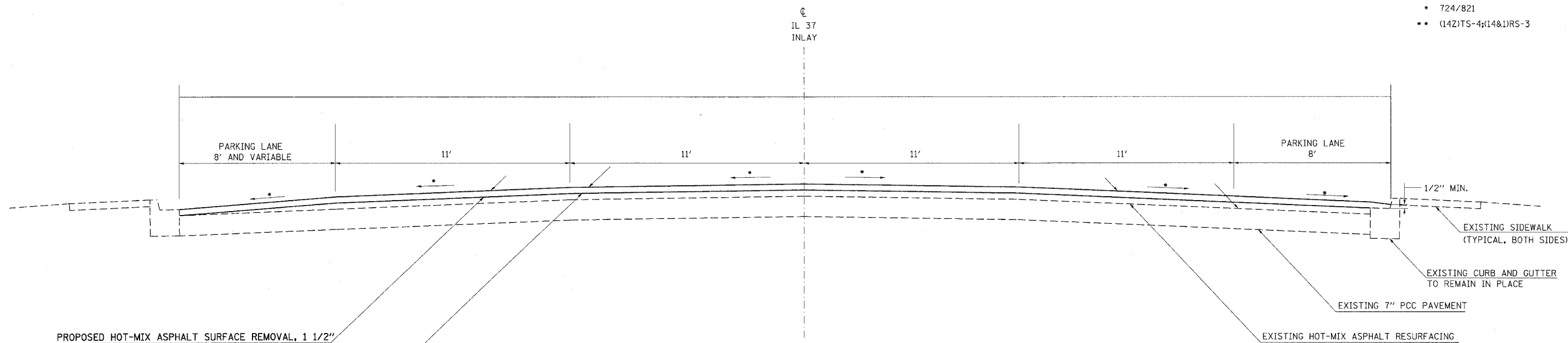


F.A.M. RTE.	SECTION	COUNTY	TOTAL SHEETS	SHEET NO
*	**	JEFFERSON	17	6
STA.		TO STA.		
FED. ROAD DIST. NO.		ILLINOIS		

- \* 724/821
- \*\* (14Z)TS-4;(14&1)RS-3

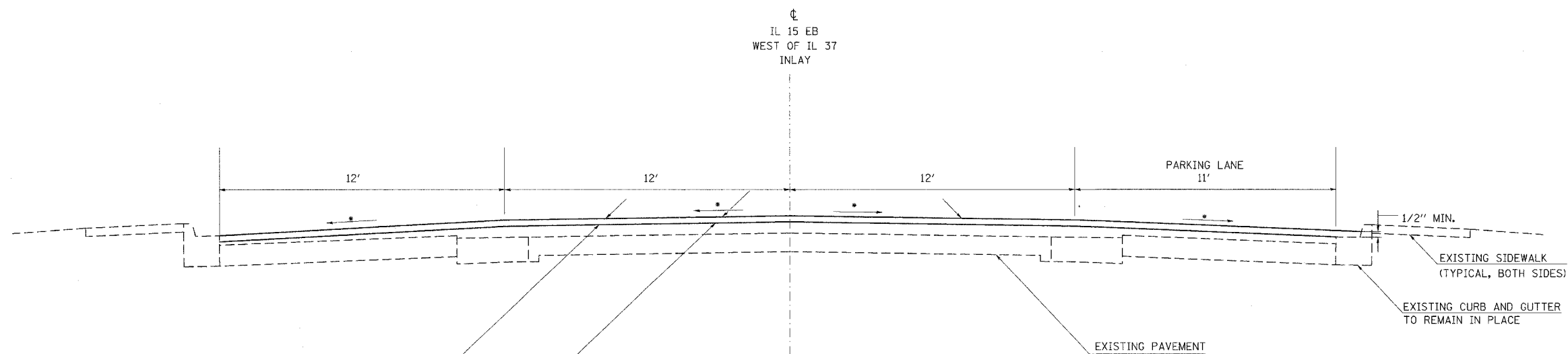


PROPOSED HOT-MIX ASPHALT SURFACE REMOVAL, 1 1/2"

PROPOSED POLYMERIZED HOT-MIX ASPHALT SURFACE COURSE, MIX "D" N105, 1 1/2"

TO BE USED:  
STA 38+20 TO STA 43+82

• MATCH EXISTING SLOPE



PROPOSED HOT-MIX ASPHALT SURFACE REMOVAL, 1 1/2"

PROPOSED POLYMERIZED HOT-MIX ASPHALT SURFACE COURSE, MIX "D" N105, 1 1/2"

TO BE USED:  
STA 45+08.9 TO STA 46+09.3

• MATCH EXISTING SLOPE

1/24/2007  
 c:\p\jefferson\98991\98991.dwg  
 11/11/07  
 BENNETT, PK