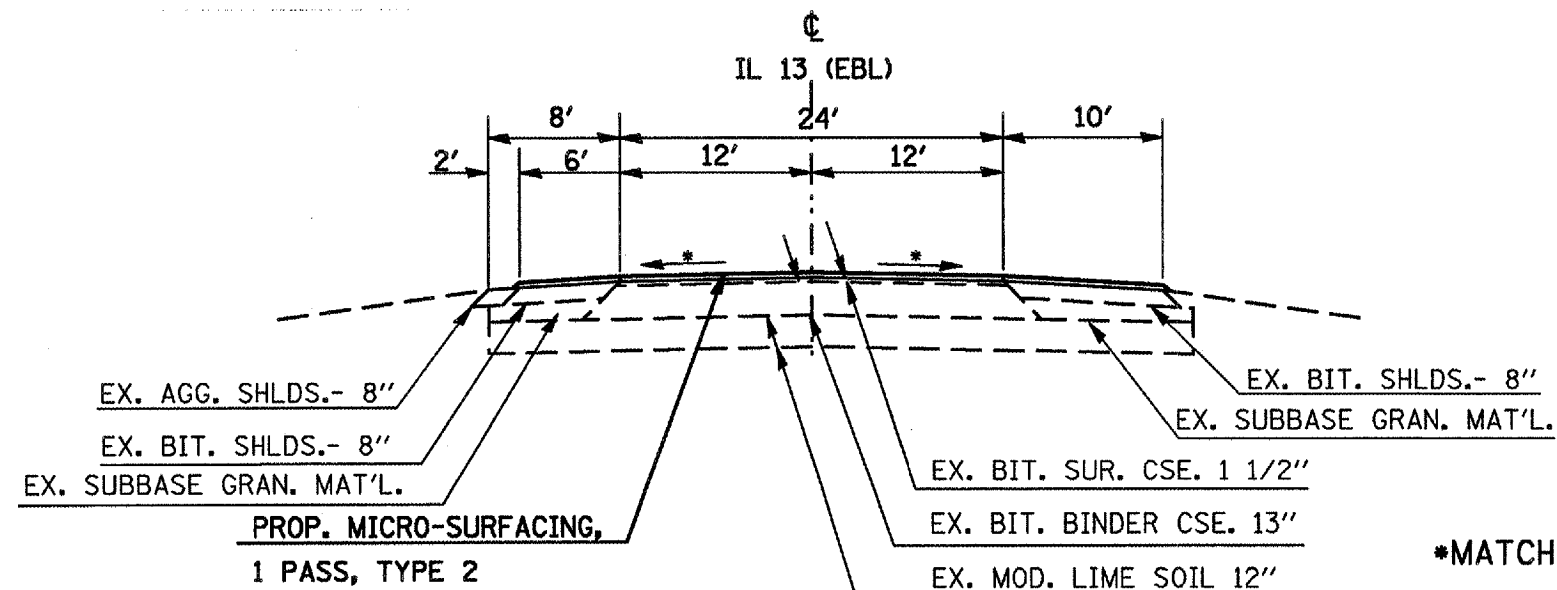


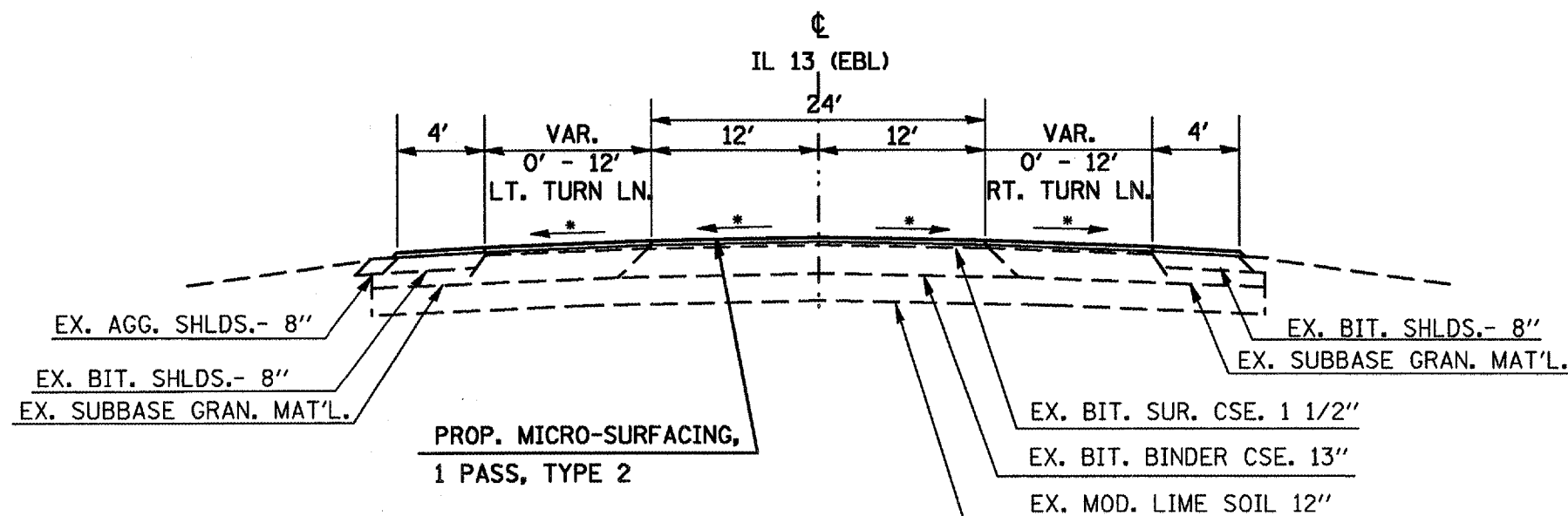
F.A.P. RTE.	SECTION	COUNTY	TOTAL SHEETS	SHEET NO.
331	2	WILLIAMSON	8	4
STA. _____		TO STA. _____		
FED. ROAD DIST. NO. _____		ILLINOIS FED. AID PROJECT _____		

09 PAVEMENT PRESERVATION FY07



TO BE USED:
 STA. 341+00 TO STA. 396+50
 STA. 402+00 TO STA. 477+36**
 STA. 479+45** TO STA. 493+50
 STA. 495+05 TO STA. 510+00

** EXISTING S.N. 100-0071 OMITTED BETWEEN
 STA. 477+36 TO STA. 479+45.



TO BE USED:
 STA. STA. 396+50 TO STA. 402+00

PLOT DATE = 1/15/2007
 FILE NAME = c:\pav\mca\28995\28995.dwg
 PLOT SCALE = 1/8" = 1'-0"
 USER NAME = mcorrad