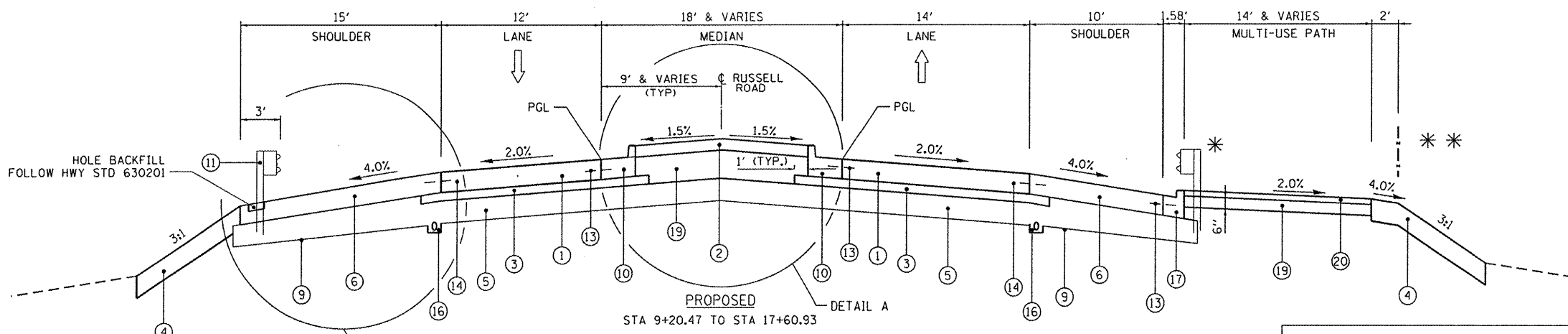
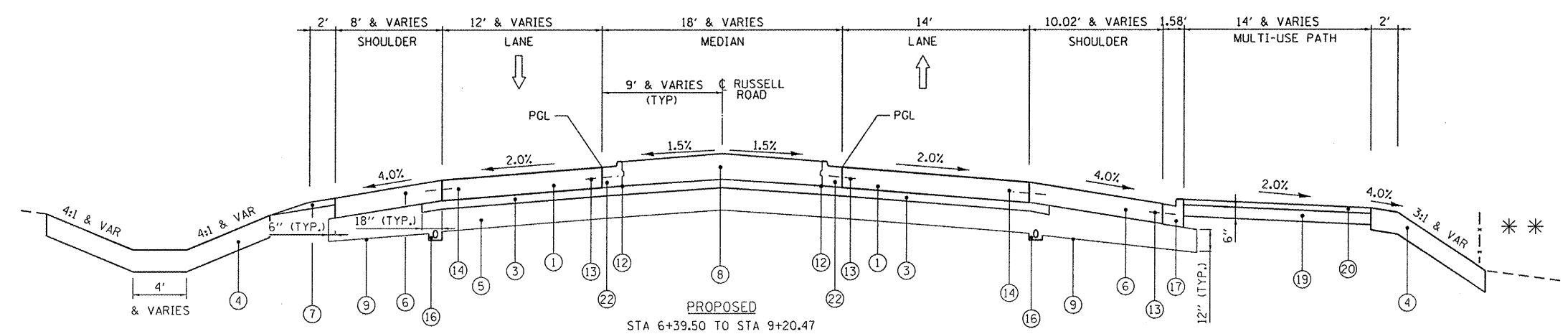
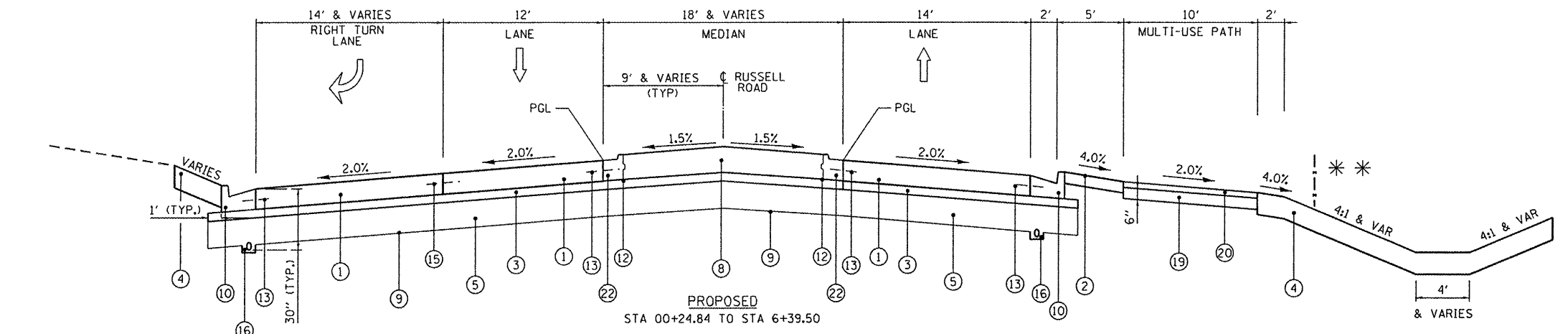


PROPOSED LEGEND

- ① PORTLAND CEMENT CONCRETE PAVEMENT, 11" (JOINTED)
- ② STAMPED COLORED P.C.C. MEDIAN SURFACE 6 INCH
- ③ STABILIZED SUBBASE - HOT MIX ASPHALT, 4 1/2"
- ④ TOPSOIL EXCAVATION AND PLACEMENT (1')
- ⑤ AGGREGATE SUB-GRADE IMPROVEMENT, 12"
- ⑥ PORTLAND CEMENT CONCRETE SHOULDERS, 11"
- ⑦ AGGREGATE SHOULDER, 6", TYPE B
- ⑧ STAMPED COLORED P.C.C. MEDIAN SURFACE 13 INCH
- ⑨ GEOTECHNICAL FABRIC FOR GROUND STABILIZATION
- ⑩ COMBINATION CONCRETE CURB & GUTTER, TYPE B-6.24
- ⑪ STEEL PLATE BEAM GUARDRAIL, TYPE A, 6' POSTS
- ⑫ LONGITUDINAL KEYED CONSTRUCTION JOINT PER STD. 420001 (SHALL BE INCLUDED IN THE COST OF STAMPED COLORED P.C.C. MEDIAN SURFACE 13 INCH (SPECIAL))
- ⑬ LONGITUDINAL CONSTRUCTION JOINT. DRILL AND GROUT NO. 6 DEFORMED EPOXY TIE BARS 24" LONG AT 24" C-C. (SHALL BE INCLUDED IN THE COST OF THE APPLICABLE COMB. CONC. CURB & GUTTER TYPE)
- ⑭ LONGITUDINAL CONSTRUCTION JOINT. DRILL AND GROUT NO. 6 DEFORMED EPOXY TIE BARS 30" LONG AT 24" C-C. (SHALL BE INCLUDED IN THE COST OF PORTLAND CEMENT CONCRETE SHOULDERS, 11")
- ⑮ LONGITUDINAL SAWED OR CONSTRUCTION JOINT. FOR LONGITUDINAL SAWED JOINT, POUR IN PLACE NO. 6 DEFORMED EPOXY TIE BARS 30" LONG AT 30" C-C. FOR LONGITUDINAL CONSTRUCTION JOINT, DRILL AND GROUT NO. 8 DEFORMED EPOXY TIE BARS 24" LONG AT 24" C-C. (SHALL BE INCLUDED IN THE COST OF PORTLAND CEMENT CONCRETE PAVEMENT, 11" (JOINTED))
- ⑯ PIPE UNDERDRAIN, 4"
- ⑰ COMBINATION CURB & GUTTER, TYPE B-6.12
- ⑱ CONCRETE MEDIAN, TYPE SM
- ⑲ AGGREGATE BASE COURSE, TYPE B
- ⑳ HOT MIX ASPHALT SURFACE COURSE MIX "D", N50 (3')
- ㉑ HOT-MIX ASPHALT STABILIZATION 6" AT STEEL PLATE BEAM GUARDRAIL
- ㉒ COMBINATION CONCRETE CURB & GUTTER, TYPE M-2.12 (SPECIAL)



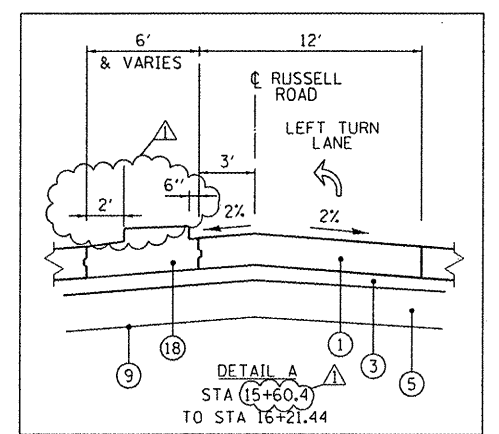
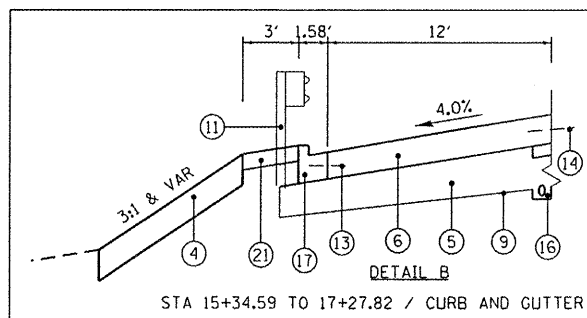
BRIDGE OMISSION
STA 11+47.02 TO 15+42.11

RUSSELL ROAD-STRUCTURAL PAVEMENT DESIGN BLOCK

STRUCTURAL DESIGN TRAFFIC:	YEAR 2021
PV= 2,663	SU= 380
ROAD/STREET CLASSIFICATION:	MU= 761
P= 50%	S= 50%
TRAFFIC FACTOR:	ACTUAL TF= 4.84
	MINIMUM TF= NONE
	AC TYPE= N/A
SUBGRADE SUPPORT RATING:	SSR= POOR

* PLACE BIKE PATH GUARDRAIL ADJUSTMENT FROM:
STA 10+58.2 TO 11+51.0 (RT)

* * CHAIN LINK FENCE, 4':
STA 3+71.16 TO 7+90.83 (LT)
STA 3+71.7 TO 11+00 (RT)
ORNAMENTAL FENCE:
SAT 10+58.20 TO 11+53.12 (RT)
STA 15+52 TO 17+24 (RT)



BOWMAN, BARRETT & ASSOCIATES INC.
CONSULTING ENGINEERS
Chicago, Illinois
312.228.0100
www.bbandainc.com

FILE NAME = #FILES#	USER NAME = default	DESIGNED - JGR	REVISED - 4/16/12 RGR
		DRAWN - JGR	REVISED -
		CHECKED - RGR	REVISED -
		DATE - 03/09/2012	REVISED -

**STATE OF ILLINOIS
DEPARTMENT OF TRANSPORTATION**

TYPICAL SECTIONS

SCALE: SHEET NO. 2 OF 4 SHEETS STA. TO STA.

F.A. RTE.	SECTION	COUNTY	TOTAL SHEETS	SHEET NO.
94	49-1(HB & HB-1)R	LAKE	225	8
				CONTRACT NO. 60L76
ILLINOIS FED. AID PROJECT				

S:\181\181_CADD\181_76_Russell_Road_VBR_76_Sheets\0181_76_Sheet-typon.dgn