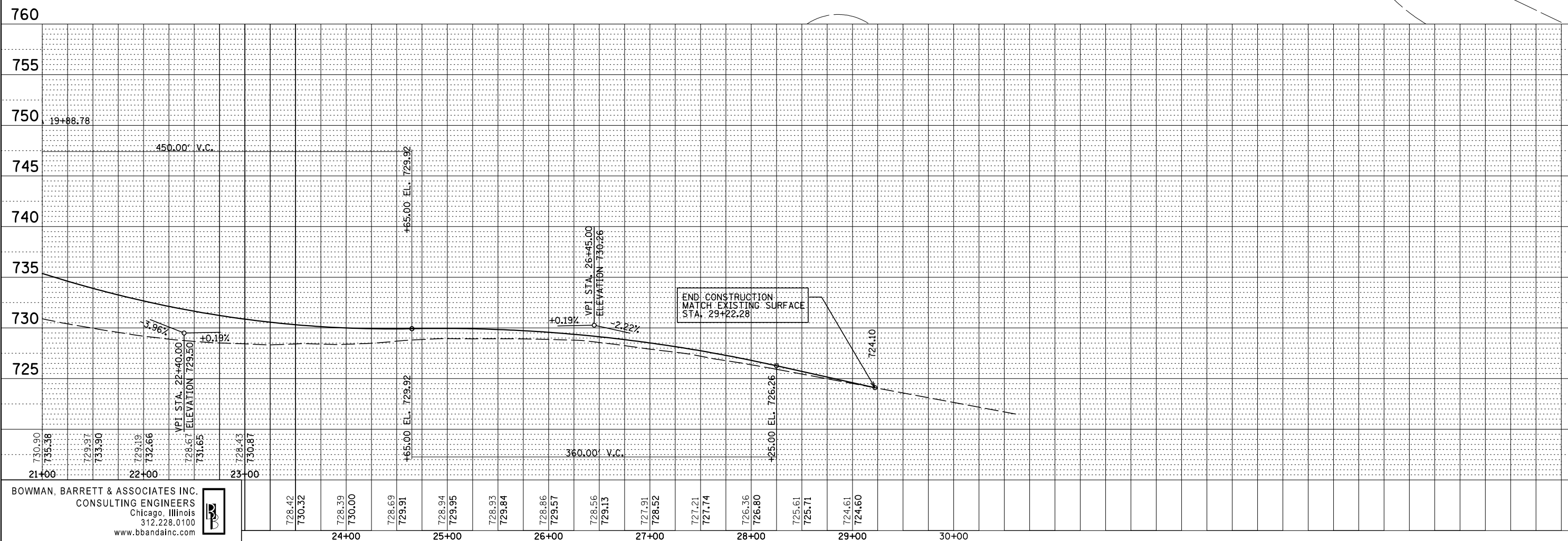
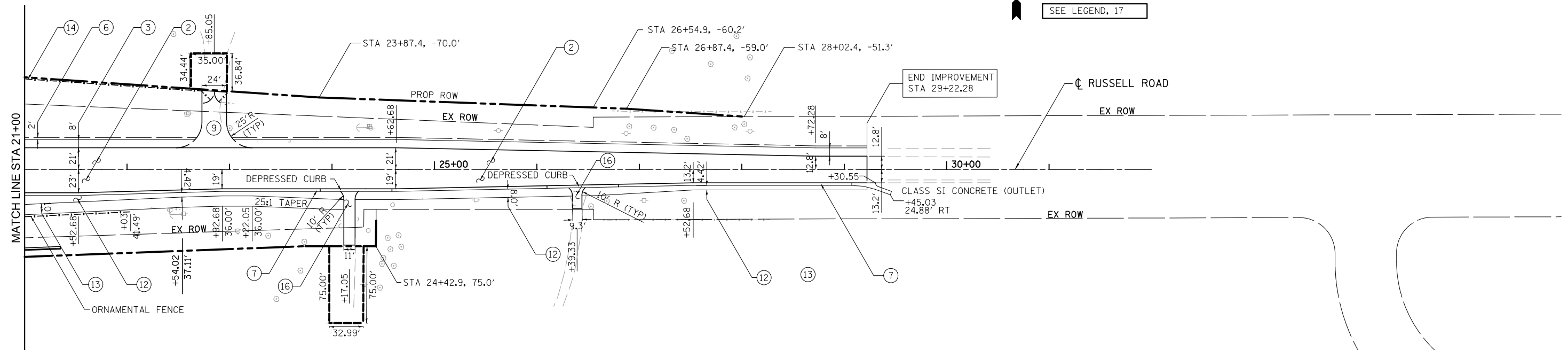
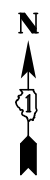


PLAN	SURVEYED	DATE
	PLOTTED	BY
	GRADES CHECKED	
	STRUCTURE NOTATIONS CHECKED	
	NOTE BOOK NO.	
	FILE NAME	

PROFILE	SURVEYED	DATE
	PLOTTED	BY
	GRADES CHECKED	
	STRUCTURE NOTATIONS CHECKED	
	NOTE BOOK NO.	
	FILE NAME	

SEE LEGEND, 17



BOWMAN, BARRETT & ASSOCIATES INC.
CONSULTING ENGINEERS
Chicago, Illinois
312.228.0100
www.bbandainc.com



FILE NAME = #FILES*

USER NAME = default
PLOT SCALE = #SCALE*
PLOT DATE = 3/9/2012

DESIGNED - JDC	REVISED -
DRAWN - JDC	REVISED -
CHECKED - RGR	REVISED -
DATE - 03/09/2012	REVISED -

STATE OF ILLINOIS
DEPARTMENT OF TRANSPORTATION

PROPOSED RUSSELL ROAD PLAN AND PROFILE

SCALE: 1"=50' SHEET NO. 3 OF 7 SHEETS STA. 21+00.00 TO STA. 29+22.28

F.A. RTE.	SECTION	COUNTY	TOTAL SHEETS	SHEET NO.
94	49-1(HB & HB-1R)	LAKE	225	19
CONTRACT NO. 60L76				
ILLINOIS FED. AID PROJECT				

S:\1101\05_CADD\60L76_Russell\Drawings\0160L76-shr-pla-bor-pr-03.dgn