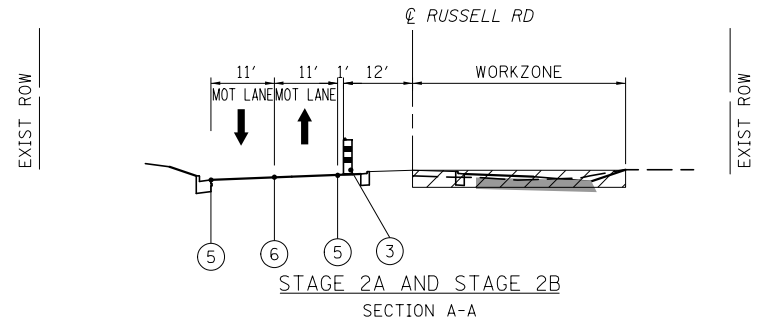
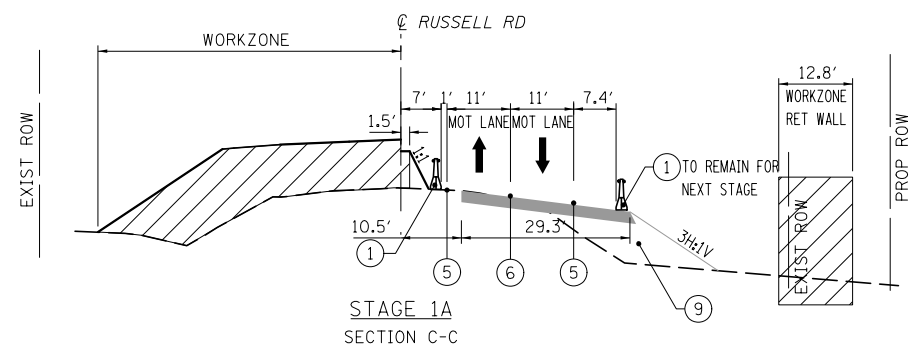


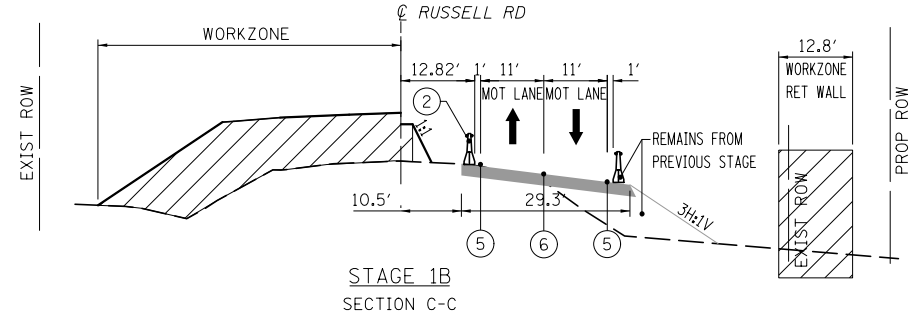
STAGE 1A AND STAGE 1B
SECTION A-A



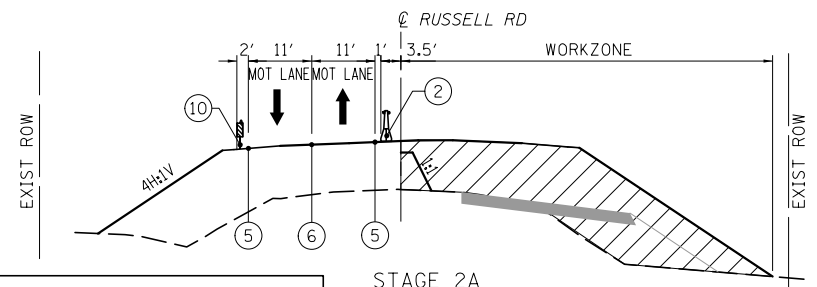
STAGE 2A AND STAGE 2B
SECTION A-A



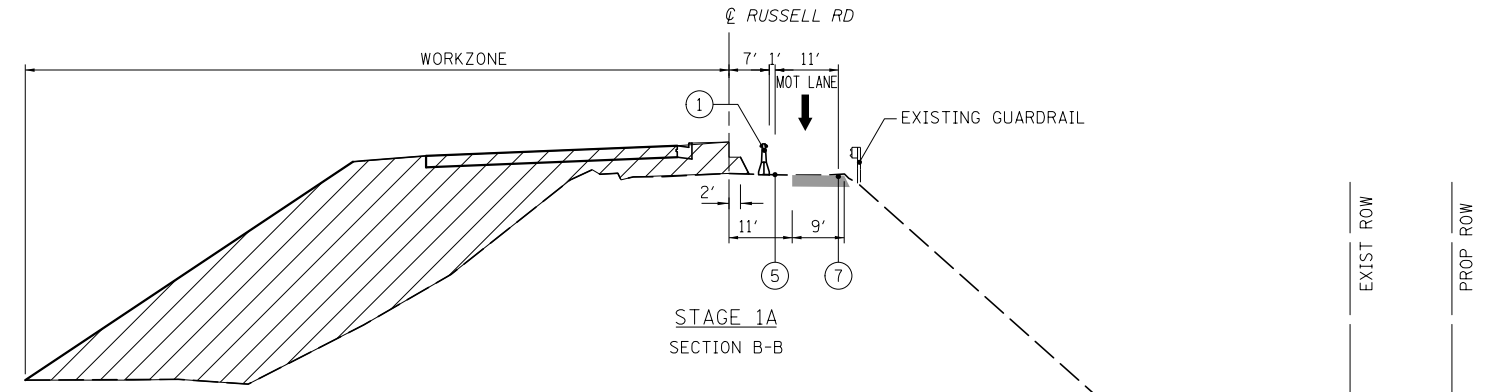
STAGE 1A
SECTION C-C



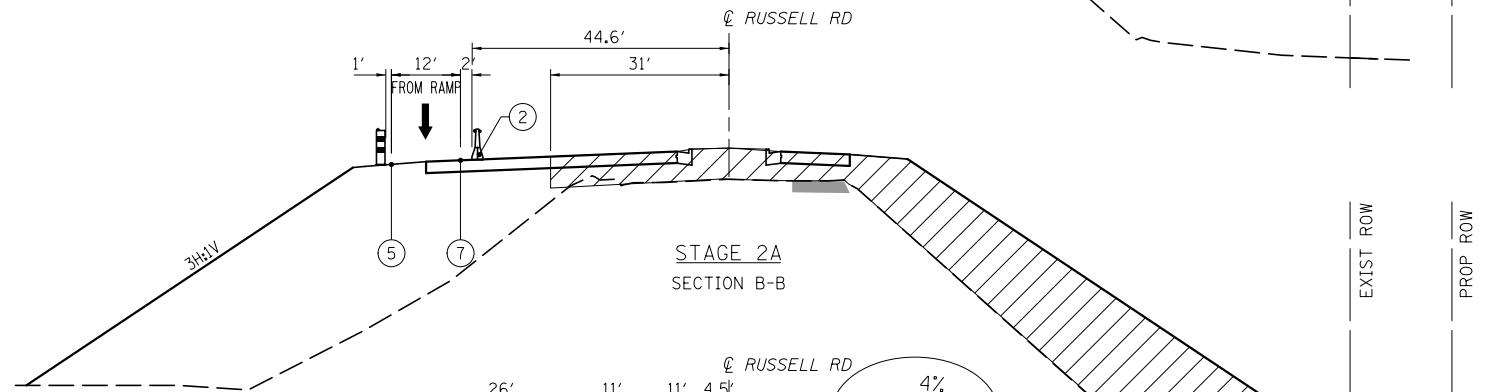
STAGE 1B
SECTION C-C



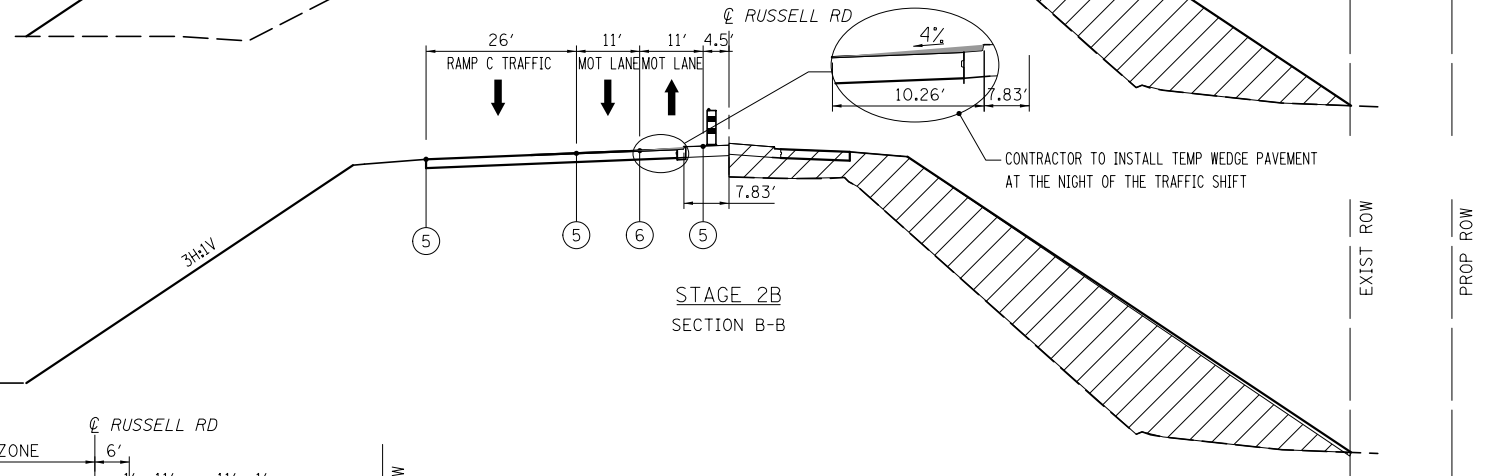
STAGE 2A
AND STAGE 2B
SECTION C-C



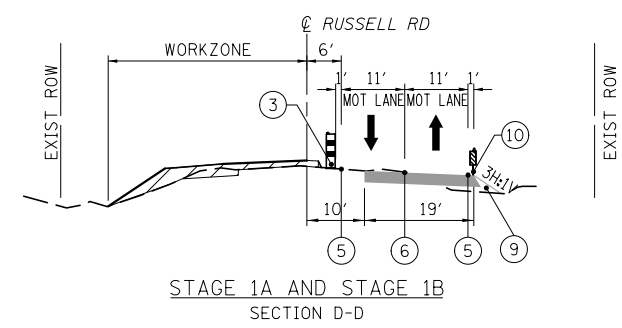
STAGE 1A
SECTION B-B



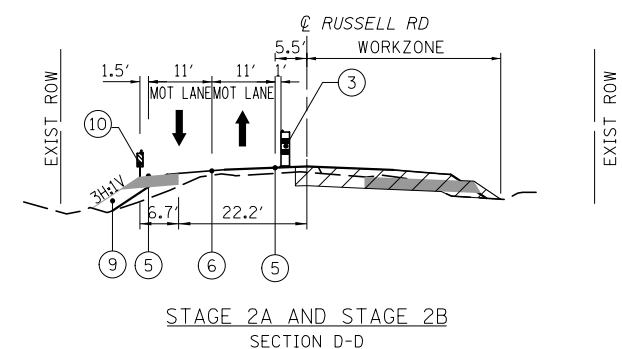
STAGE 2A
SECTION B-B



STAGE 2B
SECTION B-B



STAGE 1A AND STAGE 1B
SECTION D-D



STAGE 2A AND STAGE 2B
SECTION D-D

LEGEND

- ① TEMPORARY CONCRETE BARRIER WITH BARRIER WALL MARKERS, TYPE C
 - ② RELOCATE TEMPORARY CONCRETE BARRIER
 - ③ DRUMS AT 50'C-C WITH BIDIRECTIONAL STEADY BURN LIGHTS
 - ④ PAVEMENT MARKING REMOVAL
 - ⑤ PAVEMENT MARKING TAPE, TYPE III 4" WHITE
 - ⑥ PAVEMENT MARKING TAPE, TYPE III 4" YELLOW, DOUBLE LINE
 - ⑦ PAVEMENT MARKING TAPE, TYPE III 4" YELLOW
 - ⑧ WORK ZONE PAVEMENT MARKING REMOVAL
 - ⑨ EMBANKMENT
 - ⑩ VERTICAL PANELS WITH BIDIRECTIONAL STEADY BURN LIGHTS
- TEMPORARY PAVEMENT
HOT-MIX ASPHALT BINDER COURSE, IL-19mm, N50, 8"
HOT-MIX ASPHALT SURFACE COURSE, MIX "D", IL 9.5mm, N50, 2"

BOWMAN, BARRETT & ASSOCIATES INC.
CONSULTING ENGINEERS
Chicago, Illinois
312.228.0100
www.bbadainc.com

FILE NAME = #FILES#	USER NAME = default	DESIGNED - RA	REVISED -
		DRAWN - RA	REVISED -
		CHECKED - RGR	REVISED -
		DATE - 01/25/2012	REVISED -

STATE OF ILLINOIS
DEPARTMENT OF TRANSPORTATION

MAINTENANCE OF TRAFFIC TYPICAL SECTIONS			
SCALE: NA	SHEET NO. 1 OF 2 SHEETS	STA. NA TO STA. NA	

F.A. RTE.	SECTION	COUNTY	TOTAL SHEETS	SHEET NO.
94	49-1(HB & HB-1)R	LAKE	225	27
CONTRACT NO. 60L76				
ILLINOIS FED. AID PROJECT				

S:\1101\95\CADD\60L76 Sheets\0160L76-ah-t-MOT-typical.dgn