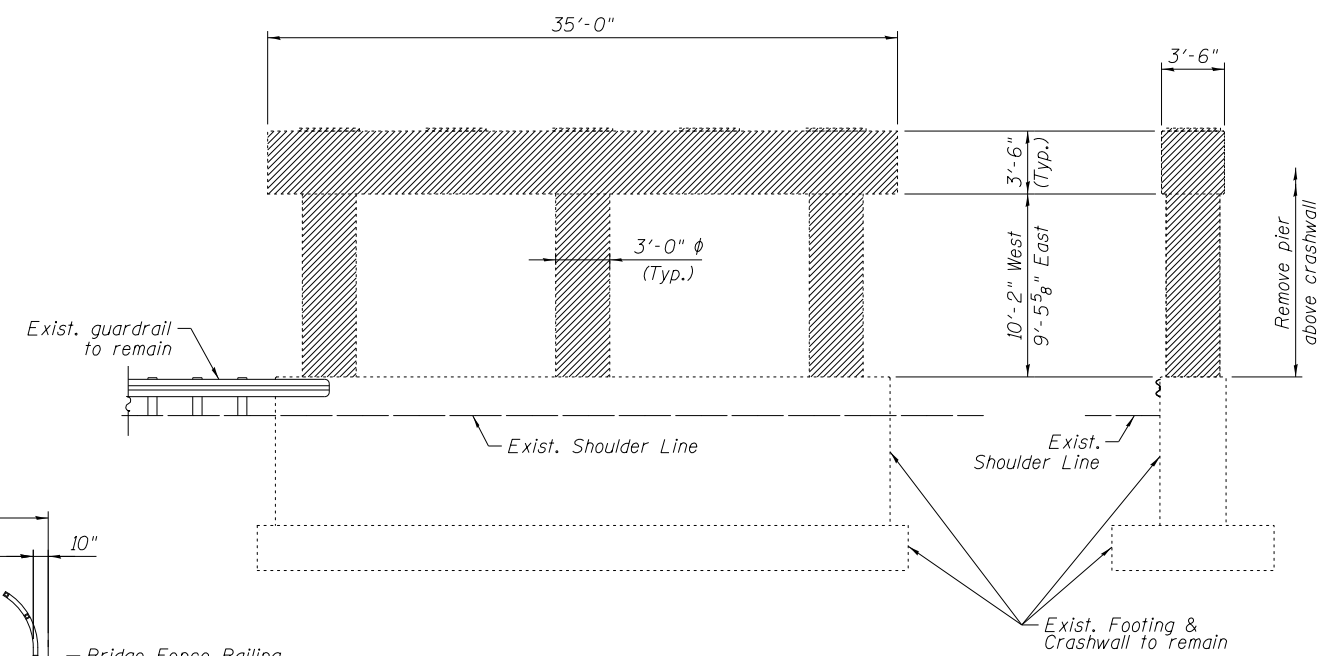
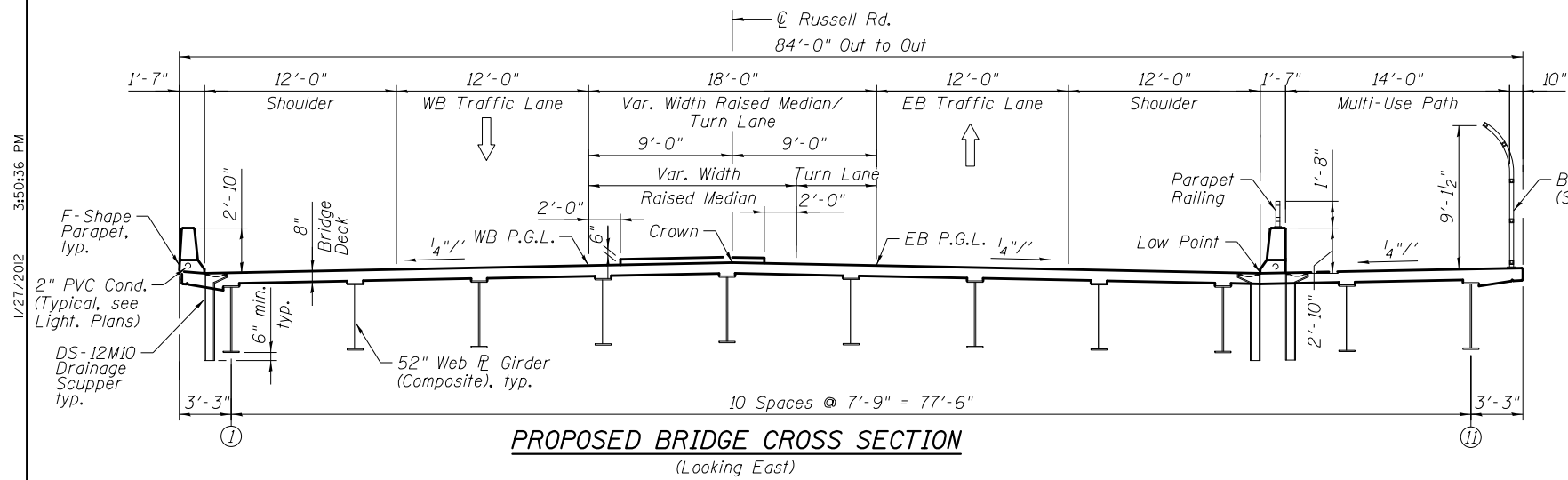


EXISTING BRIDGE CROSS SECTION
(Looking East)

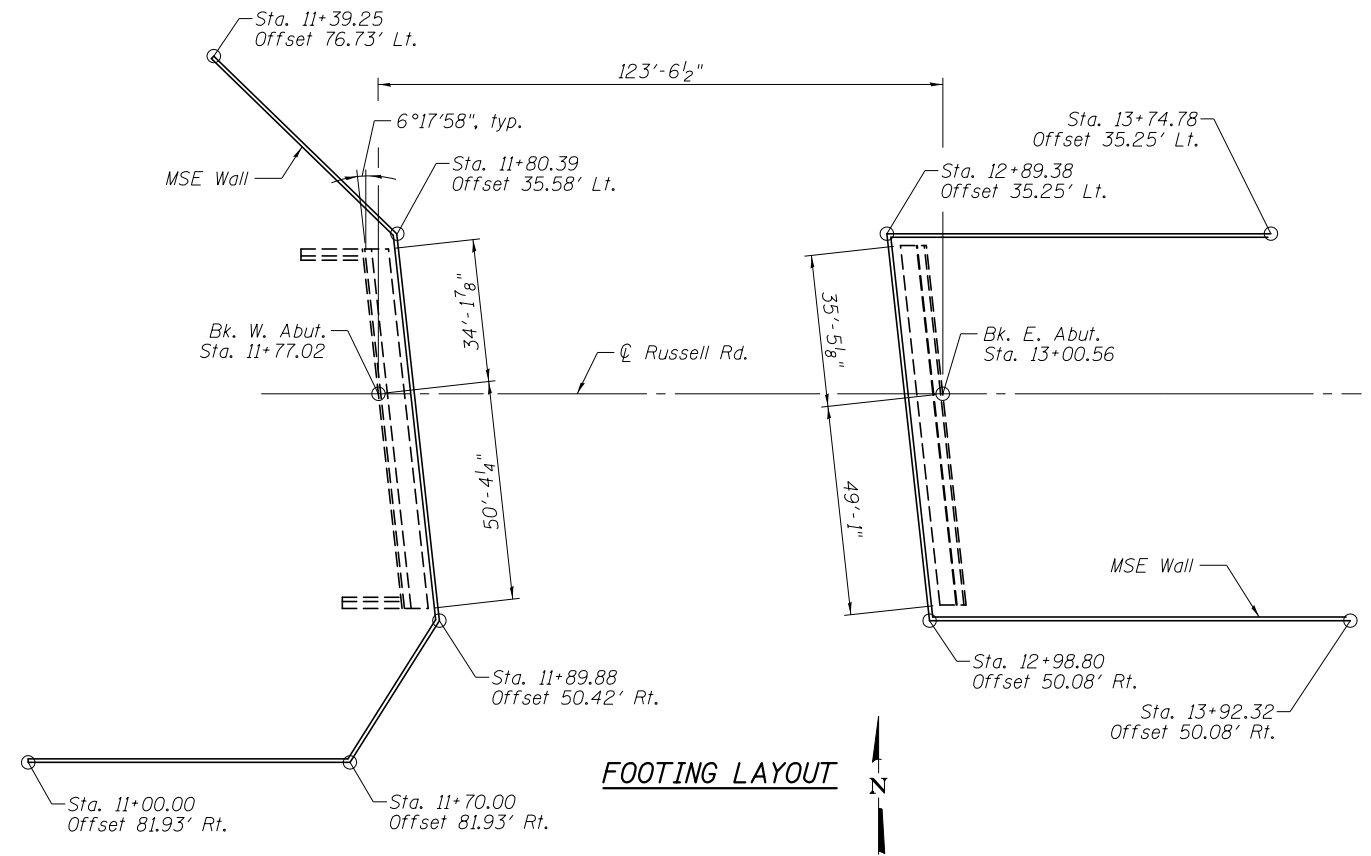


PIER REMOVAL DETAIL
(Elevation View, East & West Piers Similar)



PROPOSED BRIDGE CROSS SECTION
(Looking East)

Note:
The existing bridge will be closed to traffic for removal and reconstruction during Stages 1A, 1B, & 2A. The proposed bridge will be completed and open to traffic prior to Stage 2B. See Roadway Plans for further information regarding Maintenance of Traffic and Staging.



FOOTING LAYOUT

LEGEND
[Hatched Box] : Structure removal limits

BOWMAN, BARRETT & ASSOCIATES INC.
CONSULTING ENGINEERS
Chicago, Illinois
312.228.0100
www.bbandainc.com

FILE NAME =	USER NAME =	DESIGNED - MRM	REVISIONS -
		CHECKED - TL	REVISIONS -
		DRAWN - MTR	REVISIONS -
		CHECKED - SF	REVISIONS -

STATE OF ILLINOIS
DEPARTMENT OF TRANSPORTATION

CONSTRUCTION STAGING & DETAILS
STRUCTURE NO. 049-0533

F.A.U. RTE.	SECTION	COUNTY	TOTAL SHEETS	SHEET NO.
1199	49-1(HB & HB-1R)	LAKE	225	117
CONTRACT NO. 60L76				

SHEET NO. S-3 OF S-33 SHEETS

ILLINOIS FED. AID PROJECT

1/27/2012 3:50:36 PM

S:\1101\05_CADD\60L76_RussellRdwy\60L76_Sheets\0490533-60L76-003-CS.dgn