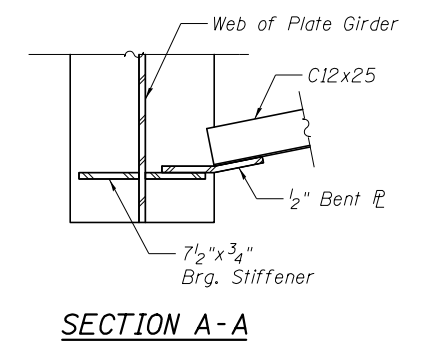
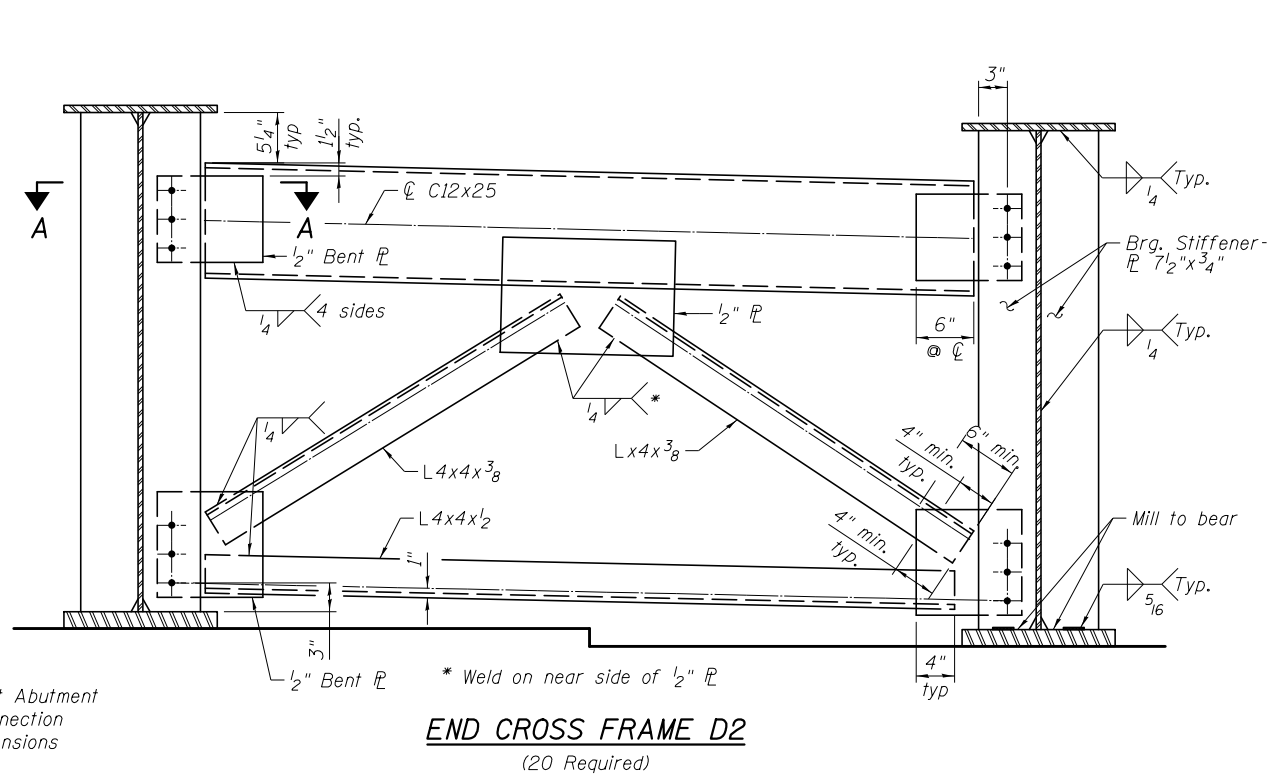
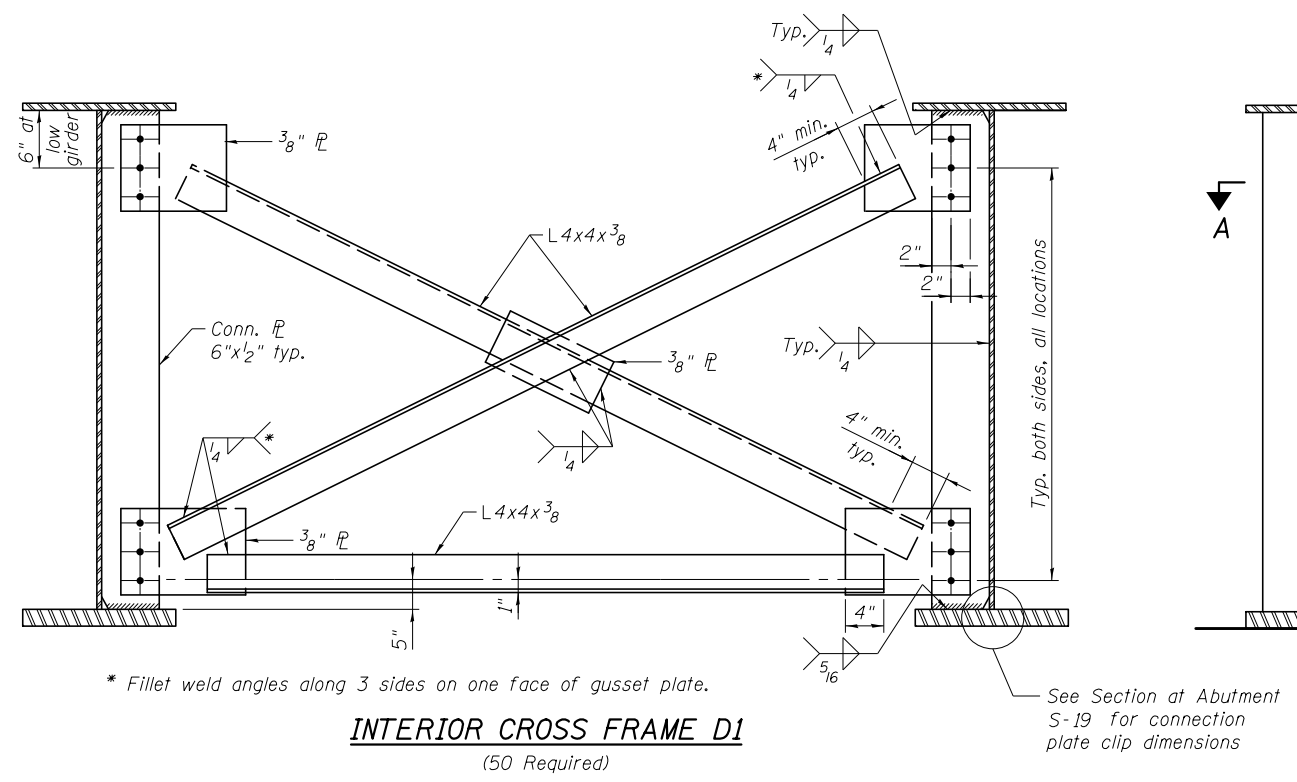


3/7/2012 4:28:09 PM

S:\101\05_CADD\60L76_RussellRdwy\60L76_Sheets\0490533-60L76-02-1-BD.dgn



NOTES:

Two hardened washers required for each set of oversized holes.

Place end cross frames with channel flanges and outstanding angle legs outward from abutment backwall.

All cross frames shall be installed as steel is erected and secured with erection pins and bolts except as otherwise noted. Individual cross frames at supports may be temporarily disconnected to install bearing anchor rods.

BOWMAN, BARRETT & ASSOCIATES INC.
CONSULTING ENGINEERS
Chicago, Illinois
312.228.0100
www.bbandainc.com

FILE NAME =	USER NAME =	DESIGNED - TL	REVISED -
		CHECKED - MRM	REVISED -
		DRAWN - MTR	REVISED -
		CHECKED - SF	REVISED -
	PLOT SCALE = N.T.S.		
	PLOT DATE = 3/7/2012		

STATE OF ILLINOIS
DEPARTMENT OF TRANSPORTATION

BEAM DETAILS
STRUCTURE NO. 049-0533
SHEET NO. S-20 OF S-33 SHEETS

F.A.U. RTE.	SECTION	COUNTY	TOTAL SHEETS	SHEET NO.
1199	49-1(HB & HB-1R)	LAKE	225	134
CONTRACT NO. 60L76				
ILLINOIS FED. AID PROJECT				