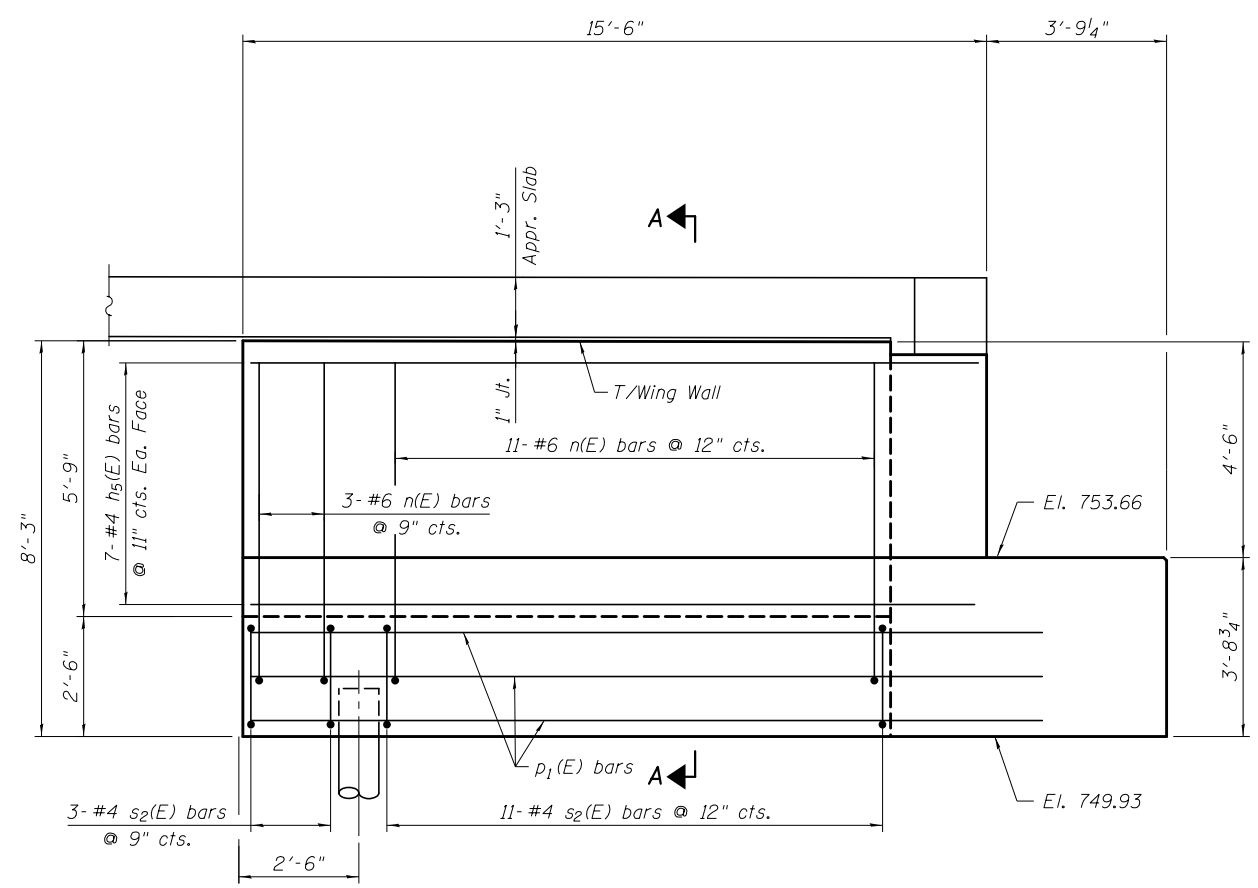
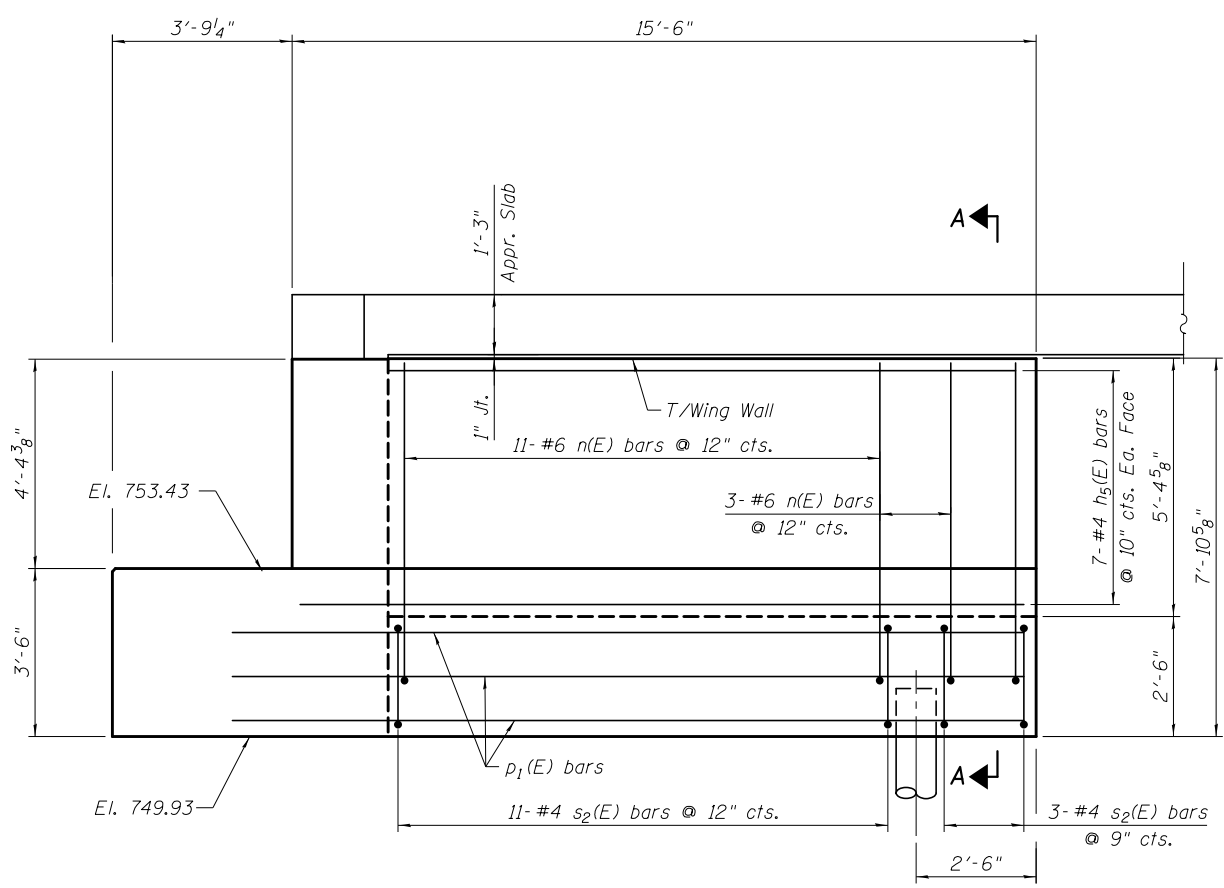


1/27/2012 3:50:51PM

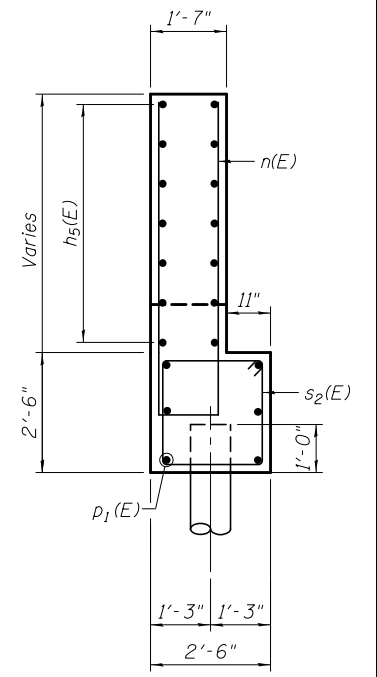
S:\101\05_CADD\60L76_RussellRdwy\60L76_Sheets\0490533-60L76-028-AD.dgn



SOUTHWEST WINGWALL - ELEVATION



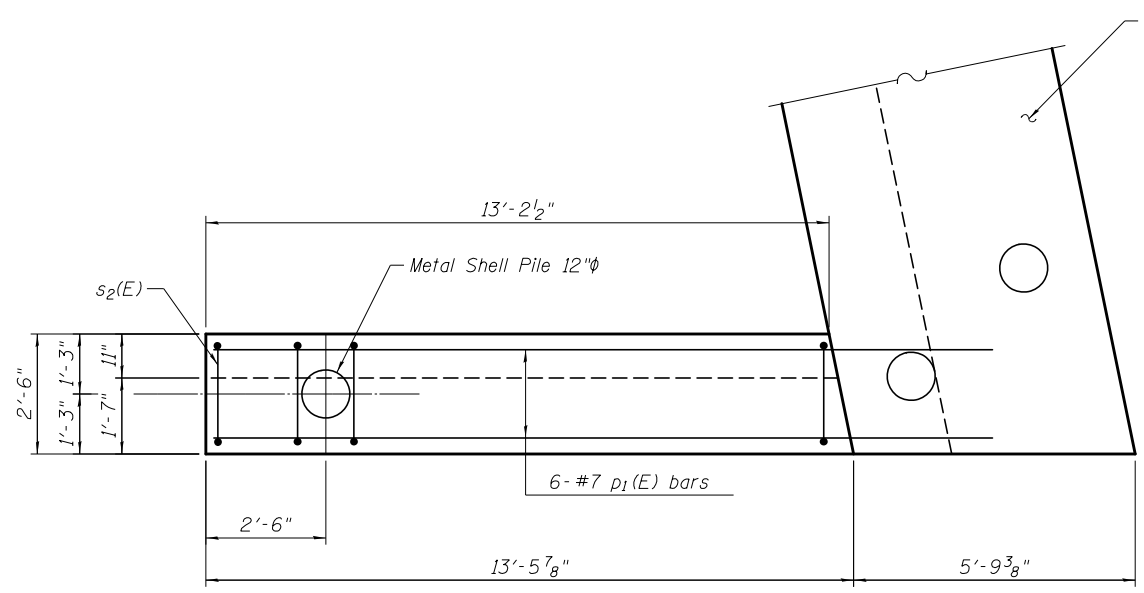
NORTHWEST WINGWALL - ELEVATION



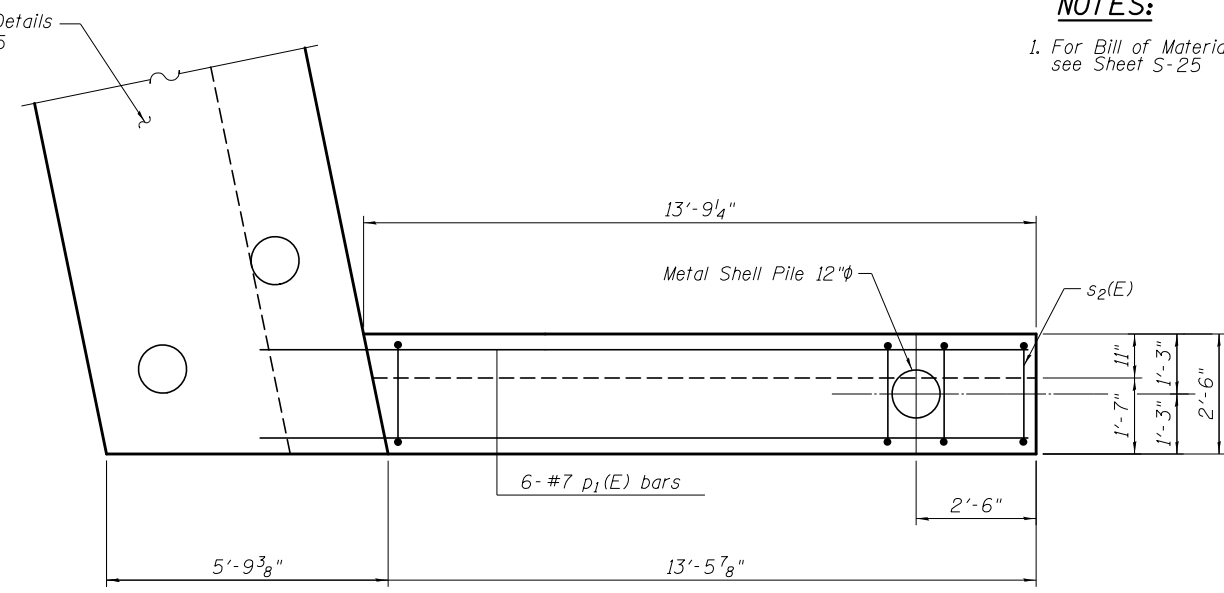
SECTION A-A

NOTES:

- 1. For Bill of Material and Bar Bending Details see Sheet S-25



SOUTHWEST WINGWALL - PLAN



NORTHWEST WINGWALL - PLAN

BOWMAN, BARRETT & ASSOCIATES INC.
 CONSULTING ENGINEERS
 Chicago, Illinois
 312.228.0100
 www.bbandainc.com

FILE NAME =	USER NAME =	DESIGNED - SF	REVISED -
		CHECKED - TL	REVISED -
		PLOT SCALE = N.T.S.	REVISED -
		PLOT DATE = 1/27/2012	REVISED -
		DRAWN - MTR	REVISED -
		CHECKED - MRM	REVISED -

STATE OF ILLINOIS
DEPARTMENT OF TRANSPORTATION

ABUTMENT DETAILS
STRUCTURE NO. 049-0533

SHEET NO. S-27 OF S-33 SHEETS

F.A.U. RTE.	SECTION	COUNTY	TOTAL SHEETS	SHEET NO.
1199	49-1(HB & HB-1R)	LAKE	225	141
CONTRACT NO. 60L76				

ILLINOIS FED. AID PROJECT