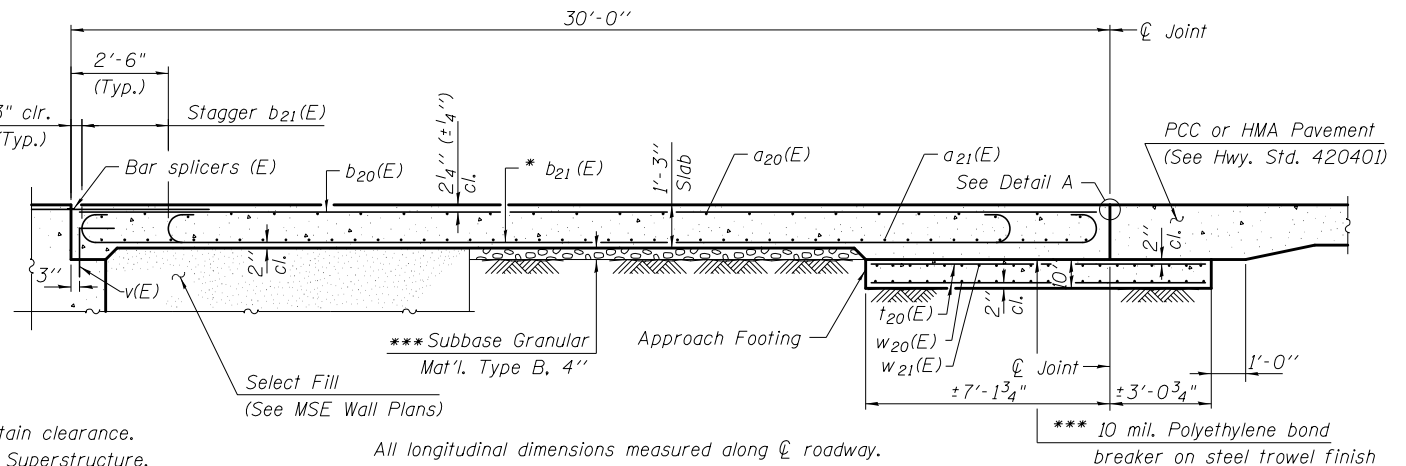


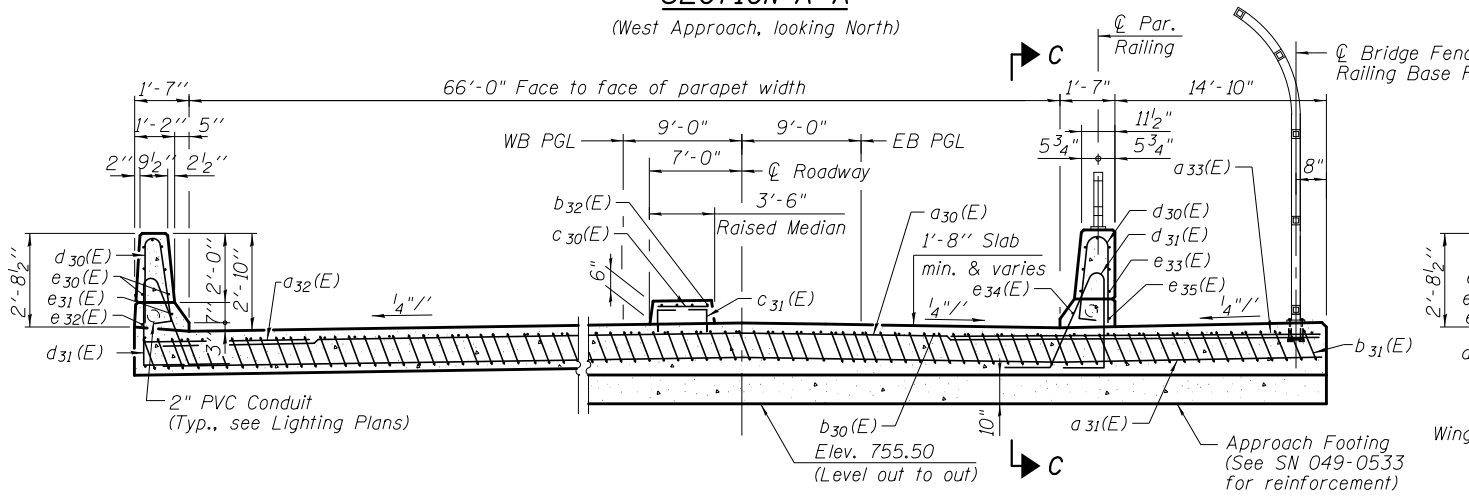
SECTION A-A

(West Approach, looking North)



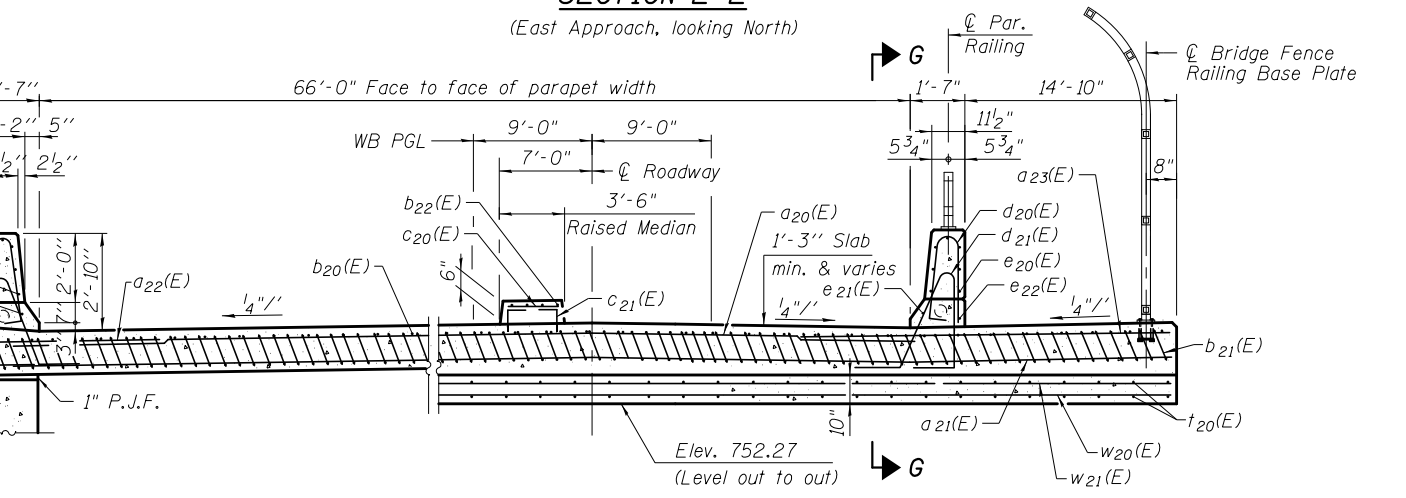
SECTION E-E

(East Approach, looking North)



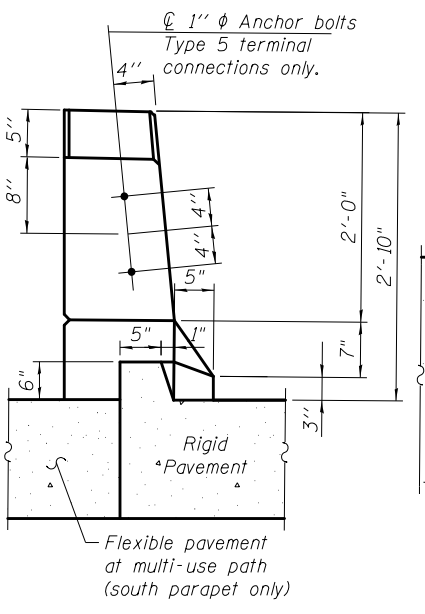
SECTION B-B

(West Approach, looking East)
(See Plan for dimensions not shown)

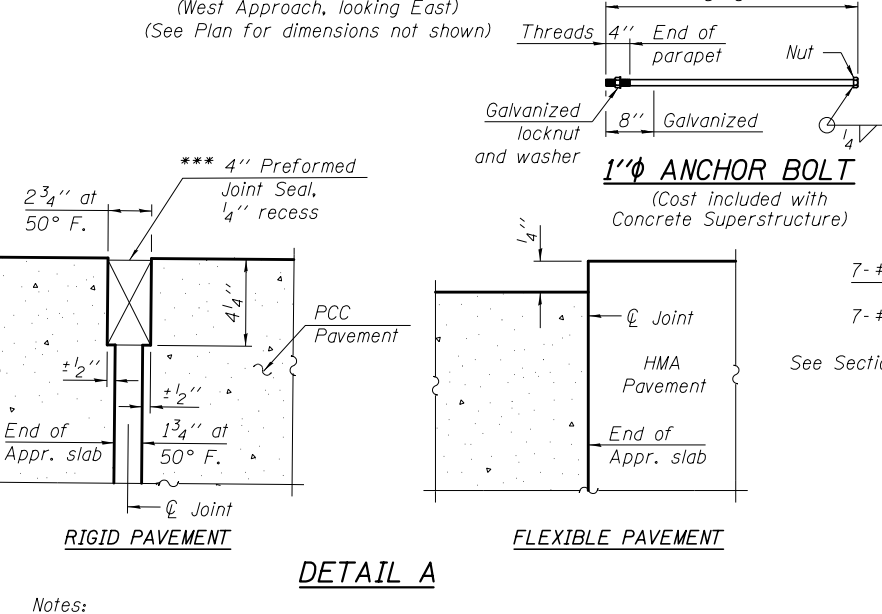


SECTION F-F

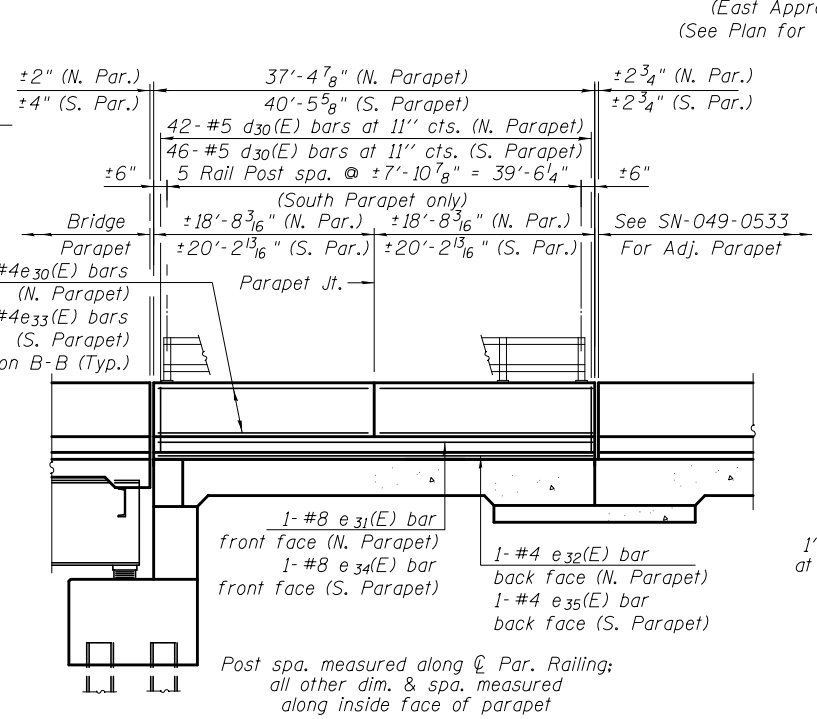
(East Approach, looking East)
(See Plan for dimensions not shown)



VIEW D-D

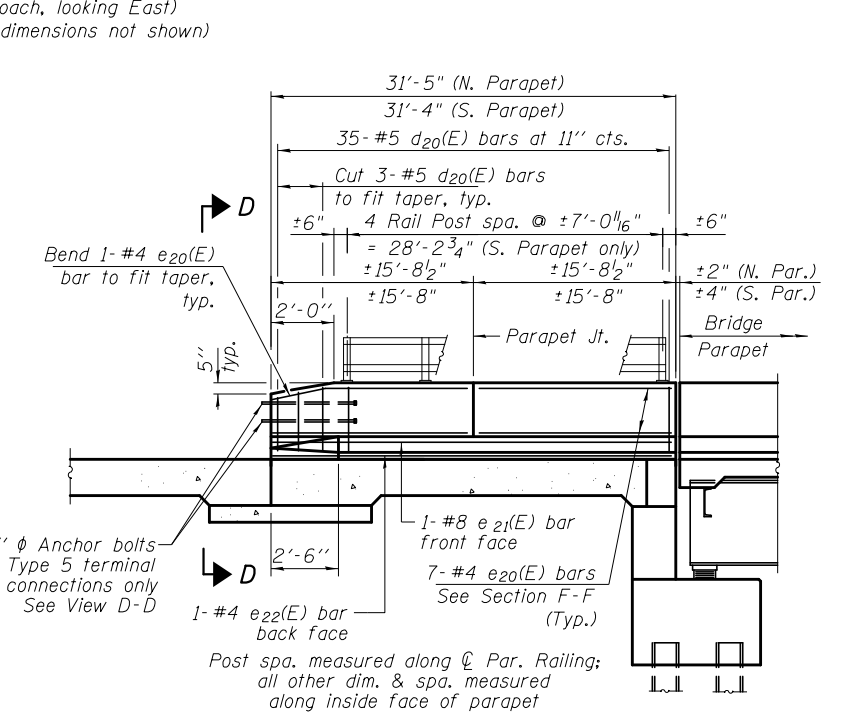


DETAIL A



VIEW C-C

(Showing inside elevation of S. Parapet at W. Approach, N. Parapet similar except as noted)



VIEW G-G

(Showing inside elevation of S. Parapet at E. Approach, N. Parapet similar except as noted)

Notes:
 Approach slab and parapet concrete shall be paid for as Concrete Superstructure.
 Approach footing concrete shall be paid for as Concrete Structures.
 Reinforcement shall be paid for as Reinforcement Bars, Epoxy Coated.
 For v(E) bar details, see sheet S-23 & S-24 of S-31.
 The approach footing maximum applied service bearing pressure (Qmax) = 2.0 ksf.
 For bar splicer details, see sheets S-23, S-24, & S-27 of S-31.
 Cost of excavation for approach footing included with Concrete Structures.
 See Sheet S-13 for Preformed Joint Seal Details at Approach Slabs.

BOWMAN, BARRETT & ASSOCIATES INC.
 CONSULTING ENGINEERS
 Chicago, Illinois
 312.228.0100
 www.bbandainc.com

3/7/2012 4:58:17 PM

S:\1101\05_CADD\60L76_RussellRdwy\60L76_Sheets\0490534-60L76-03-ASDI.dgn

FILE NAME =	USER NAME =	DESIGNED - MRM	REVISIONS -	STATE OF ILLINOIS DEPARTMENT OF TRANSPORTATION	BRIDGE APPROACH SLAB DETAILS I STRUCTURE NO. 049-0534	F.A.U. RT.E.	SECTION	COUNTY	TOTAL SHEETS	SHEET NO.	
PLOT SCALE = N.T.S.	DRAWN - EBP	CHECKED - TL	REVISIONS -			1199	49-1(HB & HB-1R)	LAKE	225	159	
PLOT DATE = 3/7/2012	CHECKED - SF	DRAWN - EBP	REVISIONS -			CONTRACT NO. 60L76					
		CHECKED - SF	REVISIONS -			ILLINOIS FED. AID PROJECT					