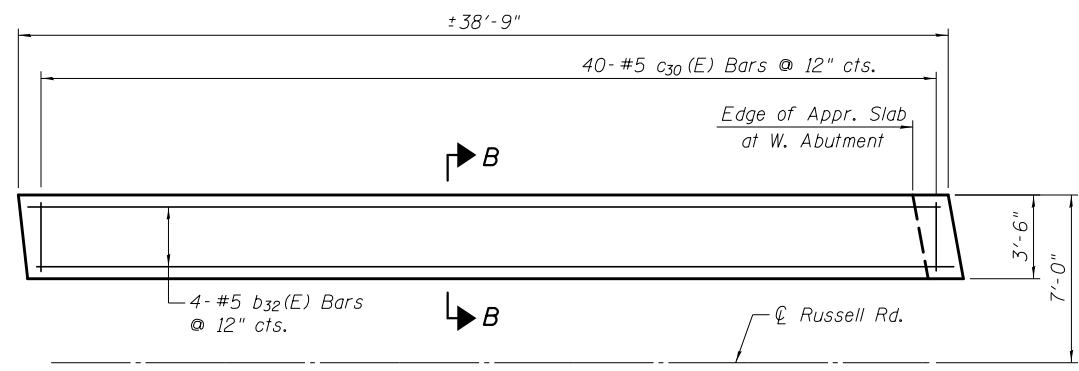
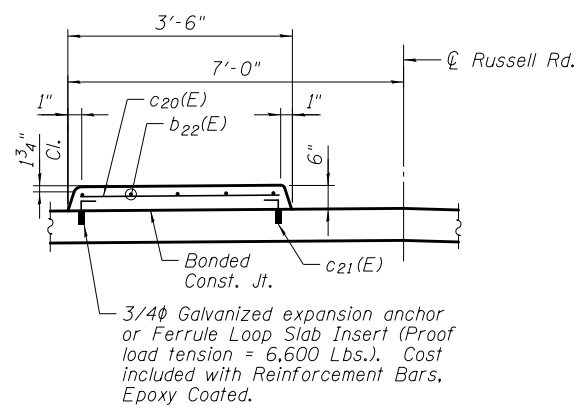


MEDIAN PLAN - EAST APPROACH SLAB

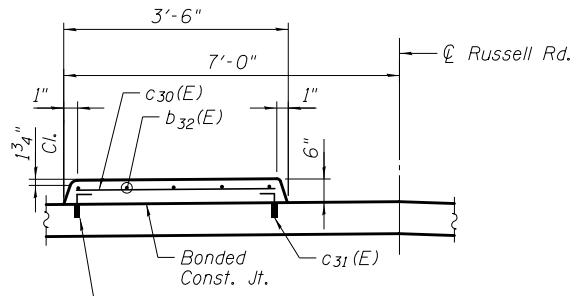


MEDIAN PLAN - WEST APPROACH SLAB



SECTION A-A

Note: See Sheet S-2 of S-31 for stamped concrete median detail.



SECTION B-B

Note: See Sheet S-2 of S-31 for stamped concrete median detail.

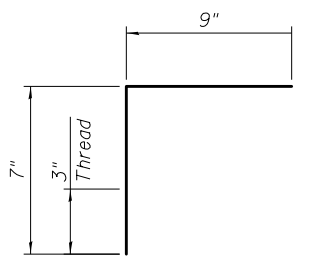
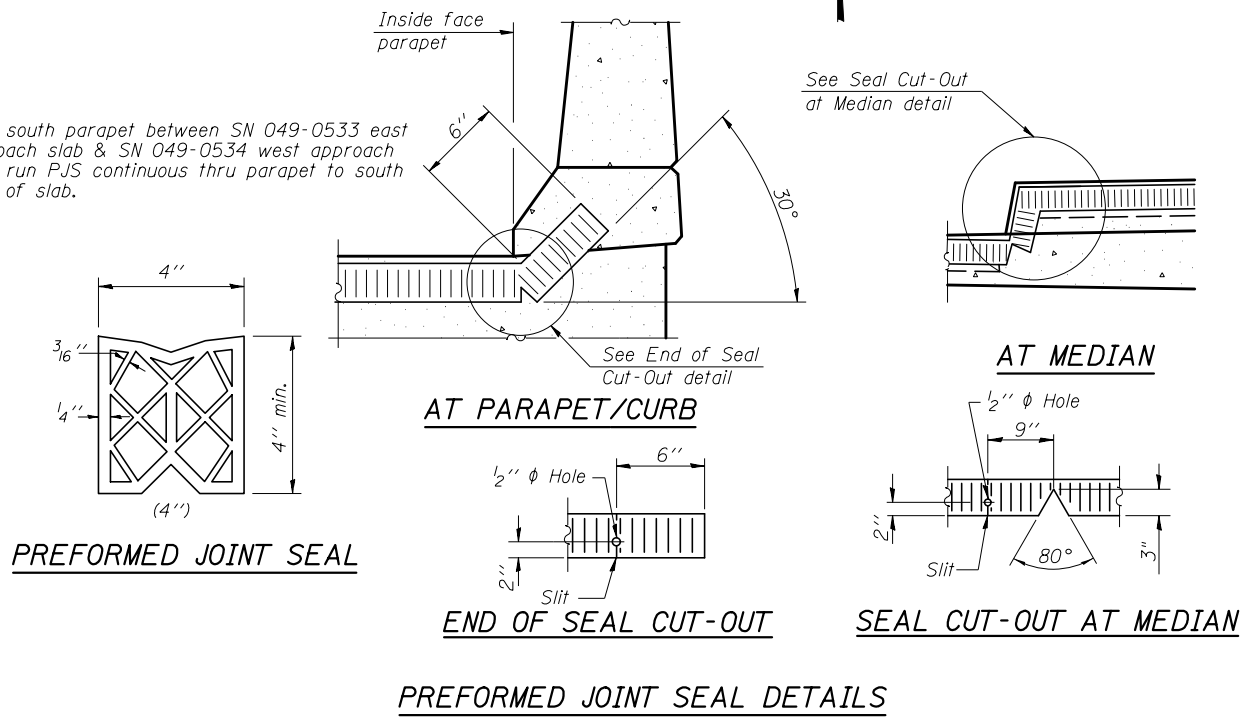
EAST APPROACH BILL OF MATERIAL

Bar	No.	Size	Length	Shape
a20(E)	75	#4	31'-3"	—
a21(E)	92	#5	44'-4"	—
a22(E)	24	#6	6'-6"	—
a23(E)	24	#6	21'-6"	—
b20(E)	68	#4	29'-8"	—
b21(E)	202	#9	29'-9"	—
b22(E)	4	#5	31'-0"	—
c20(E)	32	#5	3'-2"	—
c21(E)	64	#5	1'-4"	—
d20(E)	70	#5	5'-7"	—
d21(E)	68	#5	7'-11"	—
e20(E)	28	#4	15'-4"	—
e21(E)	2	#8	31'-0"	—
e22(E)	2	#4	31'-0"	—
t20(E)	170	#4	9'-8"	—
w20(E)	60	#5	30'-8"	—
w21(E)	40	#5	44'-4"	—
Concrete Superstructure				Cu. Yd. 138.8
Concrete Structures				Cu. Yd. 26.5
Reinforcement Bars, Epoxy Coated				Pound 35,540
Bridge Deck Grooving				Sq. Yd. 205
Protective Coat				Sq. Yd. 324

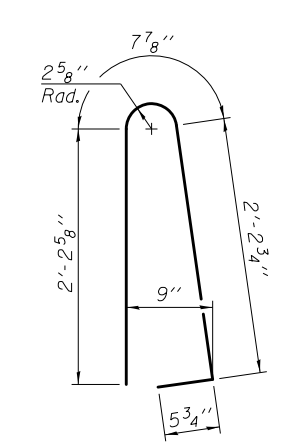
WEST APPROACH BILL OF MATERIAL

Bar	No.	Size	Length	Shape
a30(E)	132	#4	30'-3"	—
a31(E)	108	#5	44'-4"	—
a32(E)	43	#6	6'-6"	—
a33(E)	43	#6	21'-6"	—
b30(E)	184	#4	21'-2"	—
b31(E)	202	#9	38'-0"	—
b32(E)	4	#5	38'-4"	—
c30(E)	40	#5	3'-2"	—
c31(E)	76	#5	1'-4"	—
d30(E)	88	#5	5'-7"	—
d31(E)	84	#5	8'-9"	—
e30(E)	14	#4	18'-4"	—
e31(E)	1	#8	37'-0"	—
e32(E)	1	#4	37'-0"	—
e33(E)	14	#4	20'-0"	—
e34(E)	1	#8	40'-4"	—
e35(E)	1	#4	40'-4"	—
Concrete Superstructure				Cu. Yd. 218.8
Reinforcement Bars, Epoxy Coated				Pound 40,470
Bridge Deck Grooving				Sq. Yd. 247
Protective Coat				Sq. Yd. 392

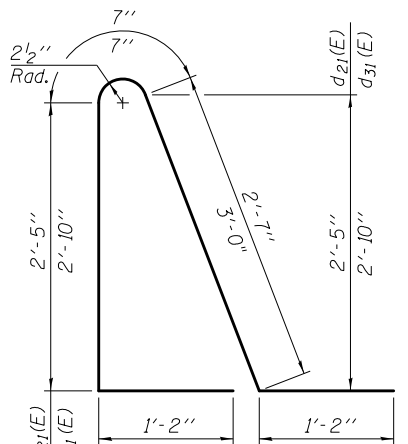
Note: At south parapet between SN 049-0533 east approach slab & SN 049-0534 west approach slab, run PJS continuous thru parapet to south edge of slab.



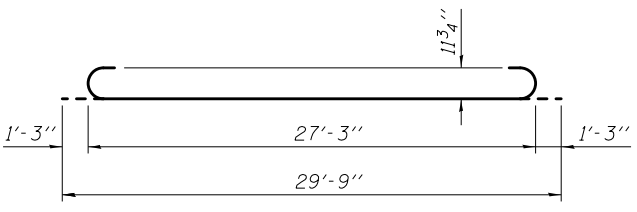
BARS c21(E) & c32(E)



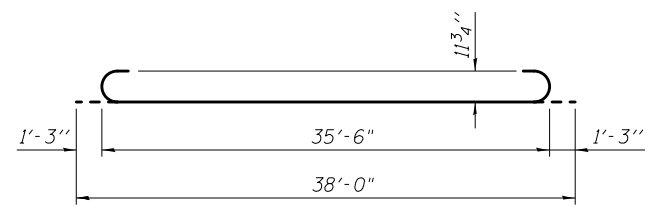
BARS d20(E) & d30(E)



BARS d21(E) & d31(E)



BAR b21(E)



BAR b31(E)

3/7/2012 4:58:18 PM

S:\101\05_CADD\60L76_RussellRdwy\60L76_Sheets\0490534-60L76-04-ASD2.dgn

BOWMAN, BARRETT & ASSOCIATES INC.
CONSULTING ENGINEERS
Chicago, Illinois
312.228.0100
www.bbandainc.com

FILE NAME =	USER NAME =	DESIGNED - MRM	REVISED -
		CHECKED - TL	REVISED -
		PLOT SCALE = N.T.S.	REVISED -
		DRAWN - MTR	REVISED -
		CHECKED - SF	REVISED -
		PLOT DATE = 3/7/2012	

STATE OF ILLINOIS
DEPARTMENT OF TRANSPORTATION

BRIDGE APPROACH SLAB DETAILS II
STRUCTURE NO. 049-0534

SHEET NO. S-13 OF S-31 SHEETS

F.A.U. R.T.E.	SECTION	COUNTY	TOTAL SHEETS	SHEET NO.
1199	49-1(HB & HB-1R)	LAKE	225	160
CONTRACT NO. 60L76				
ILLINOIS FED. AID PROJECT				