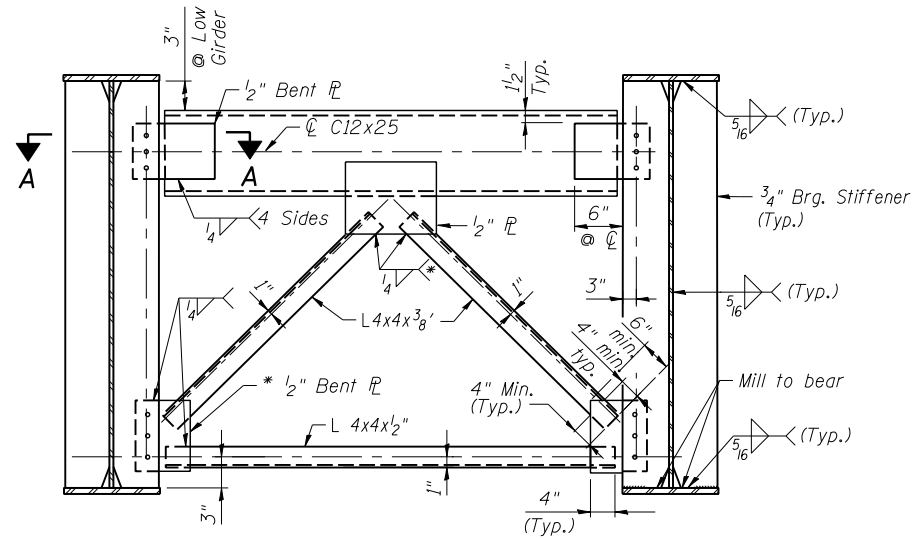


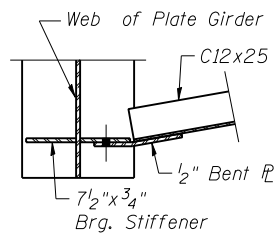
TYPICAL INTERIOR CROSS FRAMES (CF)

(50 Required)
 **Fillet weld angles along 3 sides on one face of gusset plate



END CROSS FRAMES (EF)

(20 Required)
 * Weld on near side of 1/2" plate



SECTION A-A

Notes:

Two Hardened Washers Required for Each set of Oversized Holes.

Place diaphragm with channel flanges and outstanding angle legs outward from abutment backwall.

All cross frames or diaphragms shall be installed as steel is erected and secured with erection pins and bolts except as otherwise noted. Individual cross frames or diaphragms at supports may be temporarily disconnected to install bearing anchor rods.



FILE NAME =	USER NAME =	DESIGNED - LRT / AG	REVISED -
		CHECKED - OAO / LRT	REVISED -
		DRAWN - TCS / AG	REVISED -
		CHECKED - AG	REVISED -

**STATE OF ILLINOIS
 DEPARTMENT OF TRANSPORTATION**

**CROSS FRAME DETAILS
 STRUCTURE NO. 049-0534**

F.A.U. RTE.	SECTION	COUNTY	TOTAL SHEETS	SHEET NO.
1199	49-1(HB & HB-1)R	LAKE	225	165
CONTRACT NO. 60L76				

SHEET NO. 18 OF 31 SHEETS

ILLINOIS FED. AID PROJECT