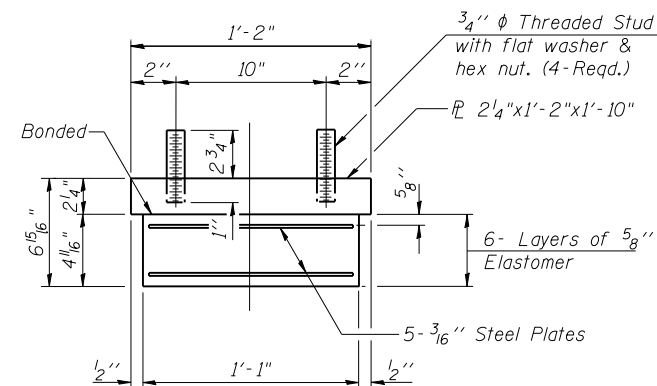


TYPE I ELASTOMERIC EXP. BRG.



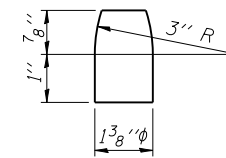
BEARING ASSEMBLY

Note:
Shim plates shall not be placed under Bearing Assembly.

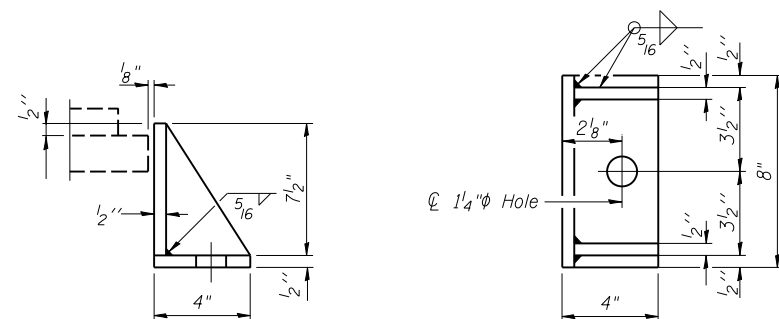
Notes:
Anchor bolts shall be ASTM F1554 all-thread (or an Engineer-approved alternate material) of the grade(s) and diameter(s) specified. ASTM A307 Grade C anchor bolts may be used in lieu of ASTM F1554 Grade 36 (Fy=36ksi). The corresponding specified grade of AASHTO M314 anchor bolts may be used in lieu of ASTM F1554.
Anchor bolts at fixed bearings may be either cast in place or installed in holes drilled after the supported member is in place.
Anchor bolts for side retainers may be cast in place or installed in holes drilled before or after members are in place.
Drilled and set anchor bolts shall be installed according to Article 521.06 of the Standard Specifications.
Side retainers and other steel members required for the elastomeric bearing assembly shall be included in the cost of Furnishing Elastomeric Bearing Assembly, Type I.
The structural steel plates of the Bearing Assembly shall conform to the requirements of AASHTO M 270 Grade 50
Furnishing of the fixed bearing assemblies including shim plates & neoprene pads, shall be included in the cost of Furnishing Structural Steel.
Two 1/8 in. adjusting shims shall be provided for each bearing in addition to all other plates or shims and placed as shown on bearing details.

ELEVATION AT WEST ABUT.

FIXED BEARING
(AASHTO M270 Grade 50)



* 3/8" thick Shim required at W. Abut. Beam 10 Bearing.
1/4" thick Shim required at E. Abut. Beam 10 Bearing.
Provide 1/8" adjusting shims as necessary at other locations.



Equivalent rolled angle with stiffeners will be allowed in lieu of welded plates.

BILL OF MATERIAL

Item	Unit	Total
Erecting Elastomeric Bearing Assembly, Type I	Each	11
Anchor Bolts, 1"	Each	44



I-2E-1

7-1-10

FILE NAME =	USER NAME =	DESIGNED - LRT / AG	REVISED -
		CHECKED - OAO / LRT	REVISED -
	PLOT SCALE =	DRAWN - TCS / AG	REVISED -
	PLOT DATE =	CHECKED - AG	REVISED -

STATE OF ILLINOIS
DEPARTMENT OF TRANSPORTATION

BEARING DETAILS
STRUCTURE NO. 049-0534

SHEET NO. 19 OF 31 SHEETS

F.A.U. RTE.	SECTION	COUNTY	TOTAL SHEETS	SHEET NO.
1199	49-1(HB & HB-1R)	LAKE	225	166
CONTRACT NO. 60L76				
ILLINOIS FED. AID PROJECT				