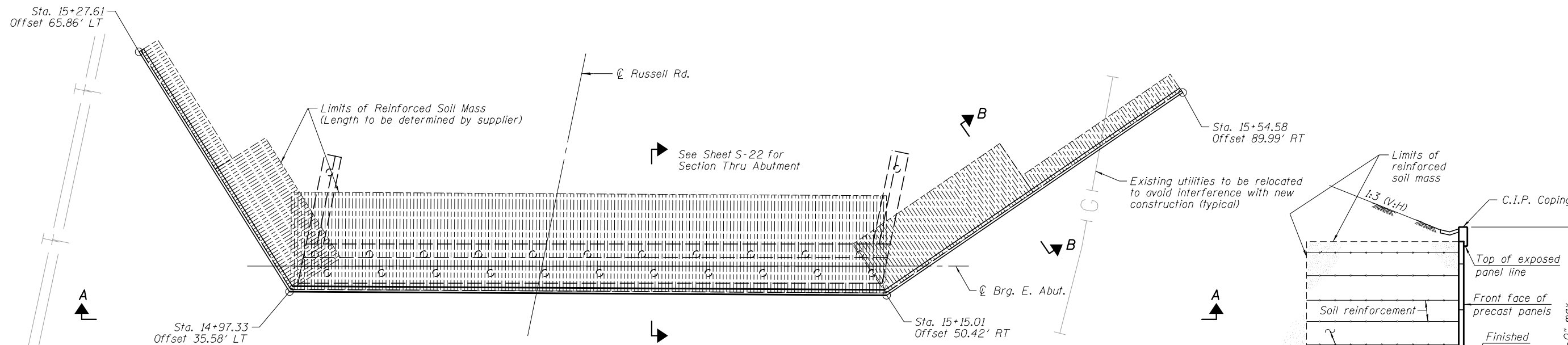


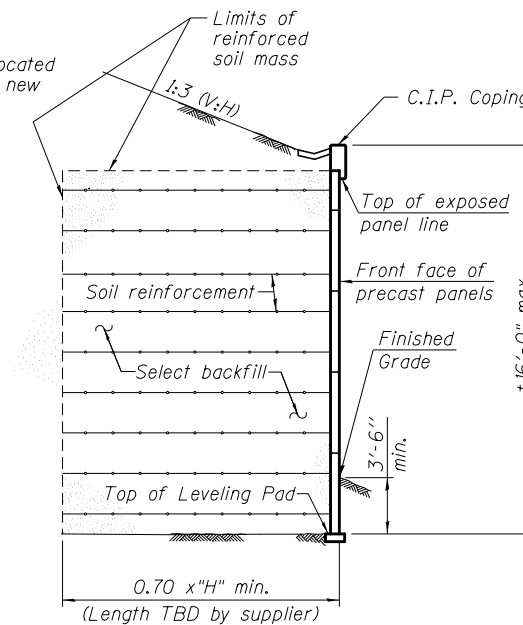
1/27/2012 3:33:29 PM

S:\101\05_CADD\60L76_RussellRdwy\60L76_Sheets\0490534-60L76-022-MSEE.dgn

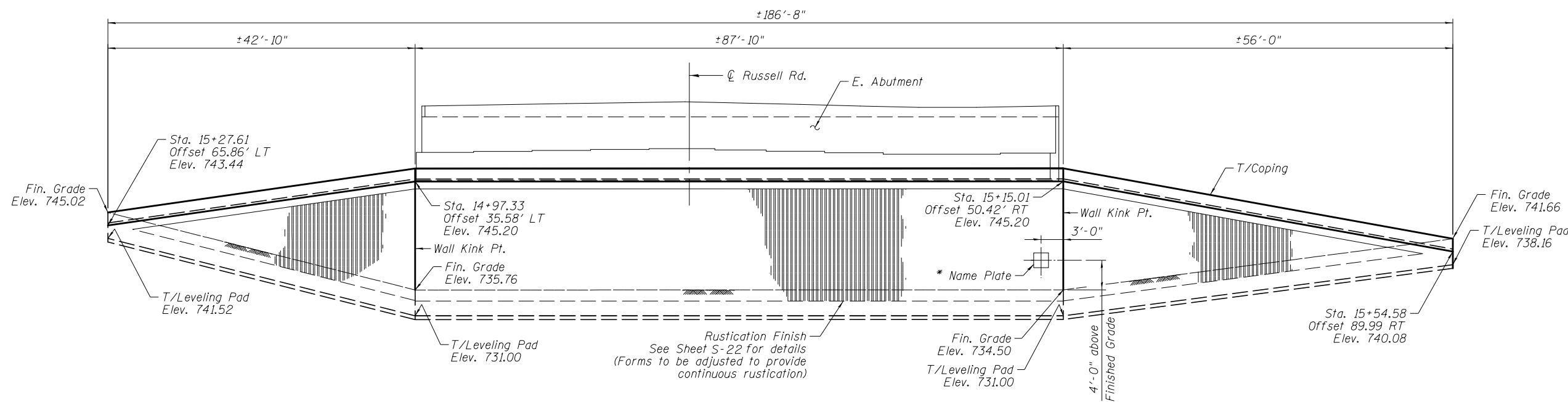


MSE WALL PLAN - EAST ABUTMENT

All offsets measured to MSE Wall Front Face perpendicular to ϕ Russell Rd.



SECTION B-B



**VIEW A-A
MSE WALL ELEVATION - EAST ABUTMENT**
(Looking East)

* Provide name plate according to Std. 515001. For the panel where the name plate will be affixed, the panel thickness shall be 5 1/2". Omit the rustication treatment over a 2'x2' square where the name plate will be located. Cost included with Mechanically Stabilized Earth Retaining Wall.

BOWMAN, BARRETT & ASSOCIATES INC.
CONSULTING ENGINEERS
Chicago, Illinois
312.228.0100
www.bbandainc.com



FILE NAME =	USER NAME =	DESIGNED - MRM	REVISIONS
		CHECKED - DF	REVISIONS
		DRAWN - MTR	REVISIONS
		CHECKED - MRM	REVISIONS

**STATE OF ILLINOIS
DEPARTMENT OF TRANSPORTATION**

**MSE WALL, EAST ABUTMENT
STRUCTURE NO. 049-0534**

SHEET NO. S-21 OF S-31 SHEETS

F.A.U. RTE.	SECTION	COUNTY	TOTAL SHEETS	SHEET NO.
1199	49-1(HB & HB-1R)	LAKE	225	168
CONTRACT NO. 60L76				

ILLINOIS FED. AID PROJECT