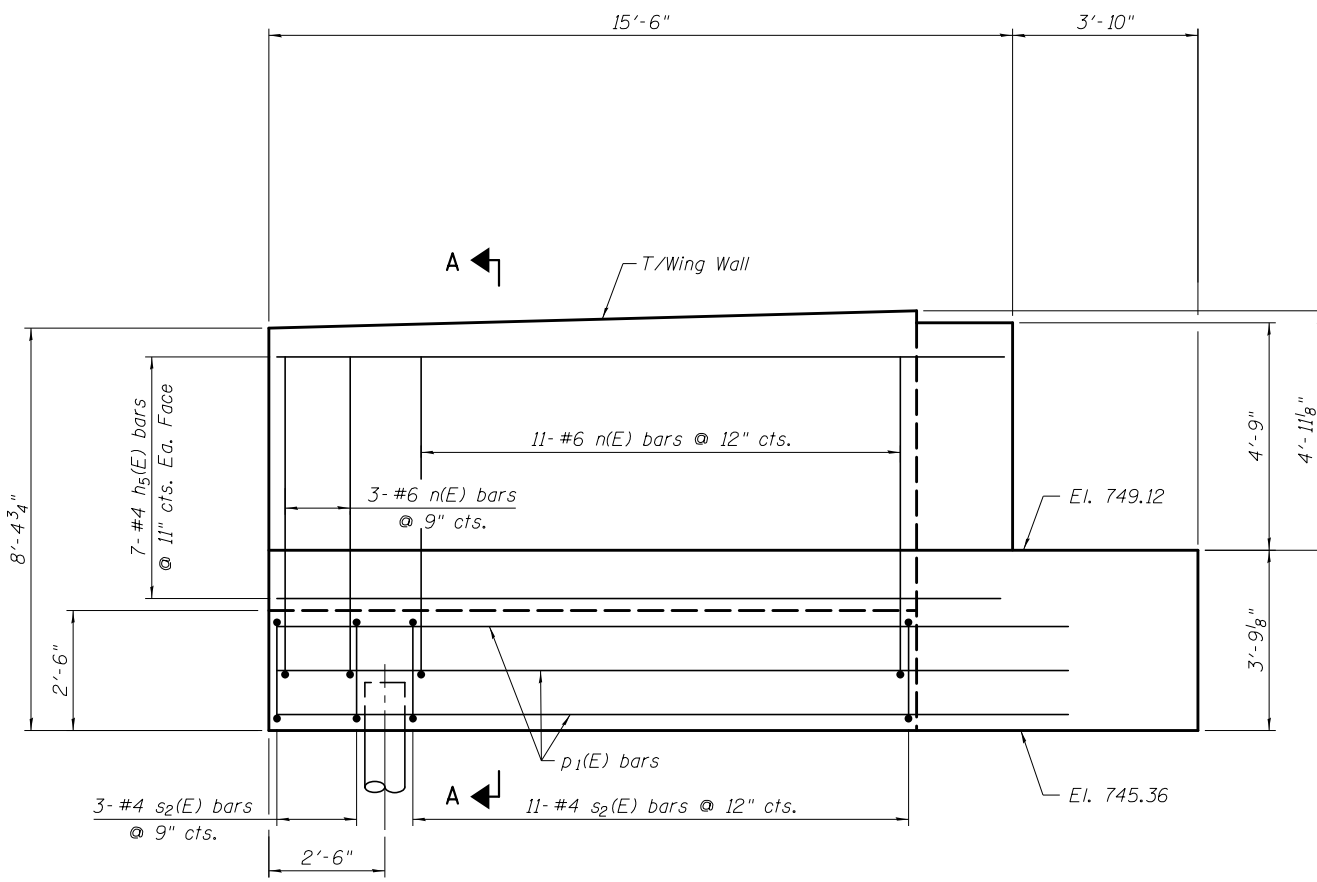
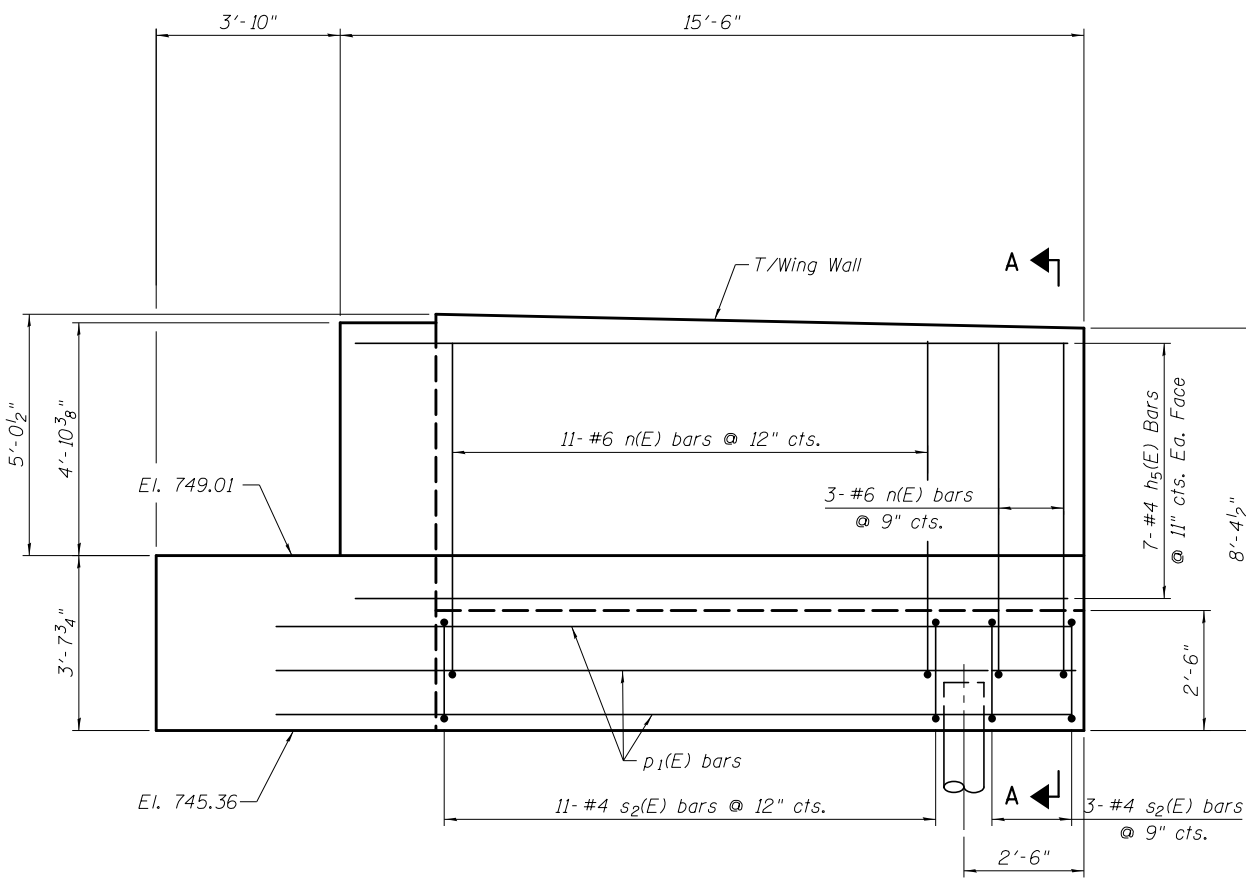


1/27/2012 3:33:32 PM

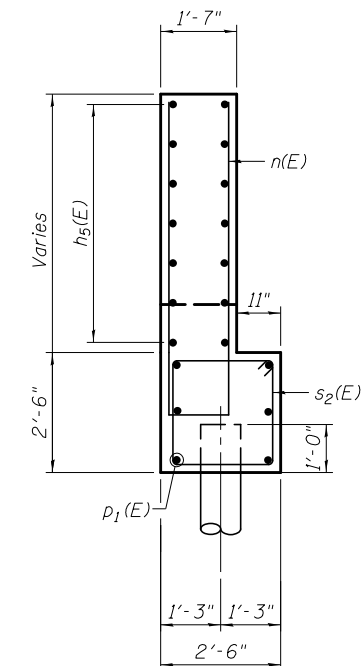
S:\101\05\_CADD\60L76\_RussellRdwy\60L76\_Sheets\0490534-60L76-026-AD.dgn



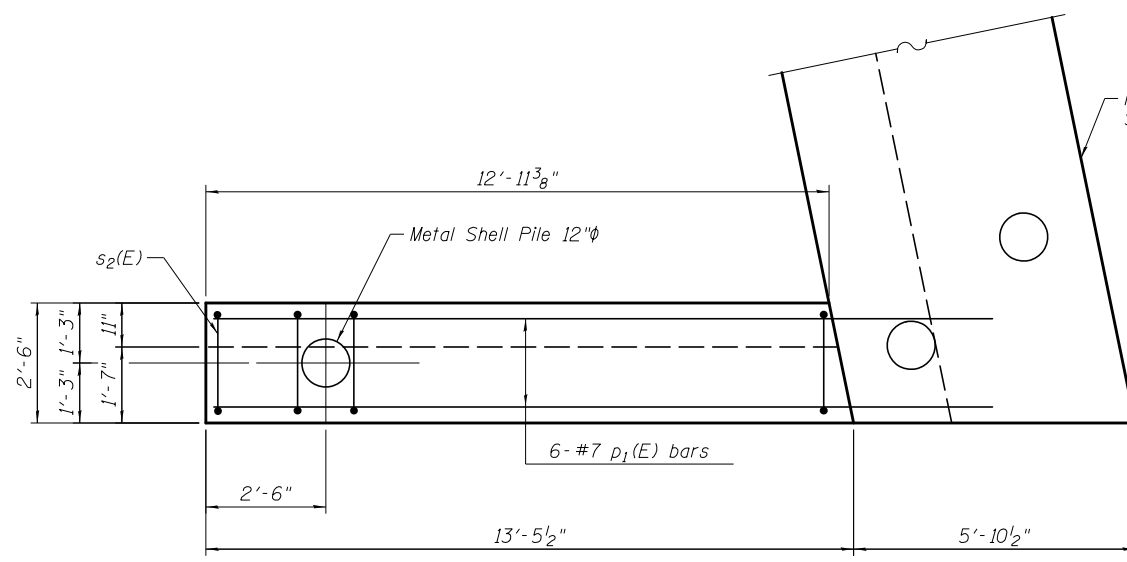
**NORTHEAST WINGWALL - ELEVATION**



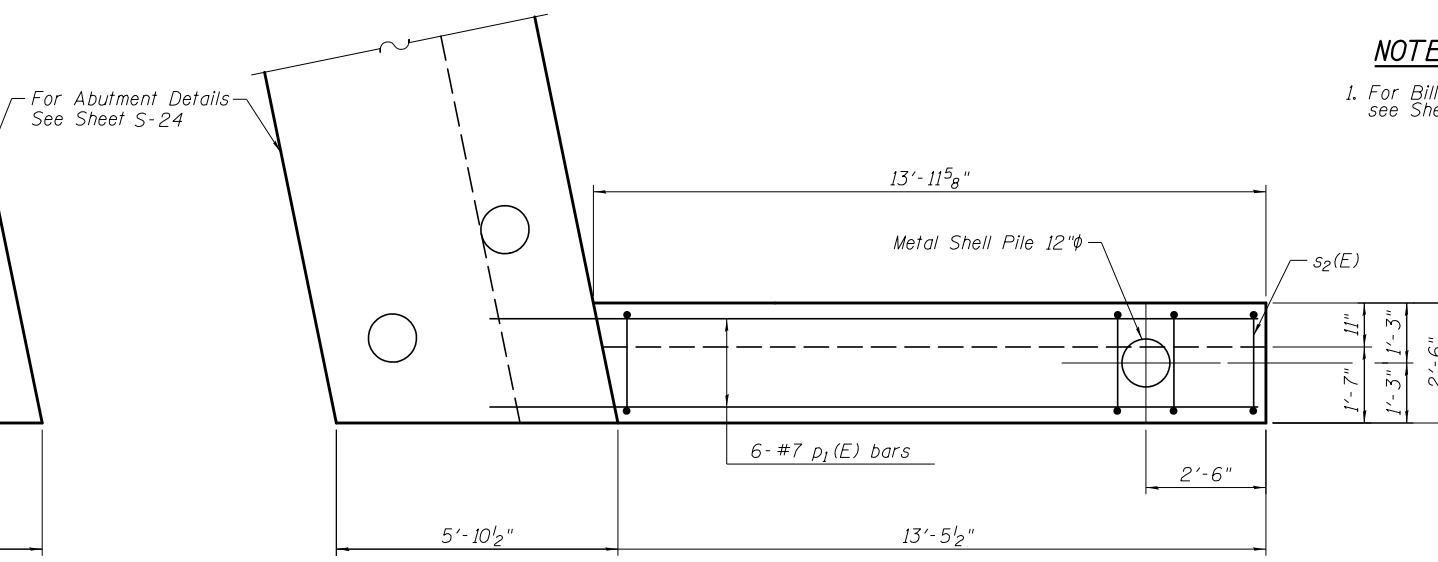
**SOUTHEAST WINGWALL - ELEVATION**



**SECTION A-A**



**NORTHEAST WINGWALL - PLAN**



**SOUTHEAST WINGWALL - PLAN**

**NOTES:**  
1. For Bill of Material and Bar Bending Details see Sheet S-24

BOWMAN, BARRETT & ASSOCIATES INC.  
CONSULTING ENGINEERS  
Chicago, Illinois  
312.228.0100  
www.bbandainc.com

FILE NAME =	USER NAME =	DESIGNED - SF	REVISED -
		CHECKED - TL	REVISED -
		DRAWN - MTR	REVISED -
		CHECKED - MRM	REVISED -

**STATE OF ILLINOIS  
DEPARTMENT OF TRANSPORTATION**

**ABUTMENT DETAILS  
STRUCTURE NO. 049-0534**

SHEET NO. S-25 OF S-31 SHEETS

F.A.U. RTE.	SECTION	COUNTY	TOTAL SHEETS	SHEET NO.
1199	49-1(HB & HB-1R)	LAKE	225	172
CONTRACT NO. 60L76				

ILLINOIS FED. AID PROJECT