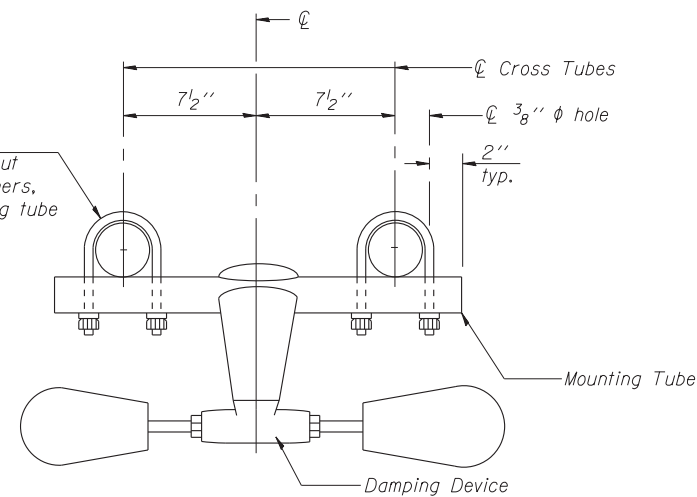
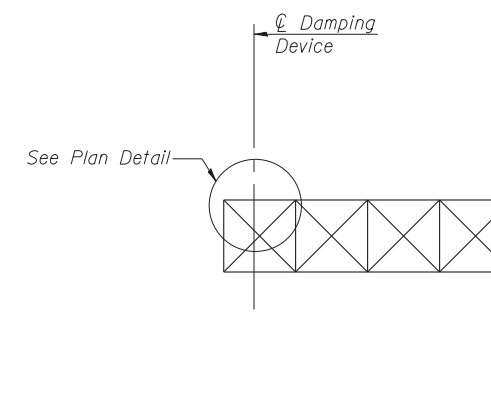


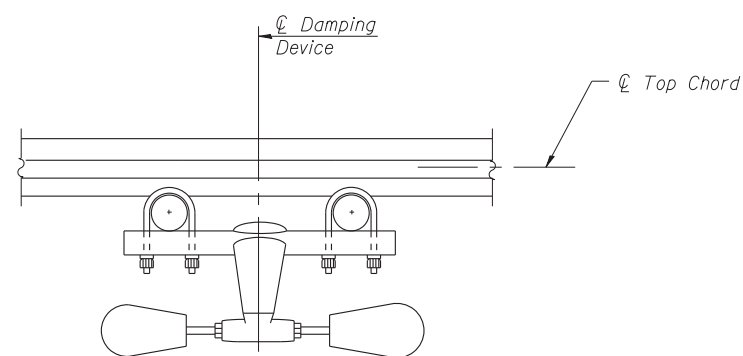
PLAN DETAIL



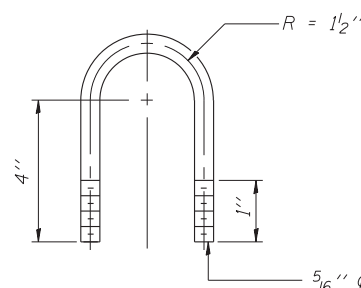
TRUSS DAMPING DEVICE CONNECTION DETAIL



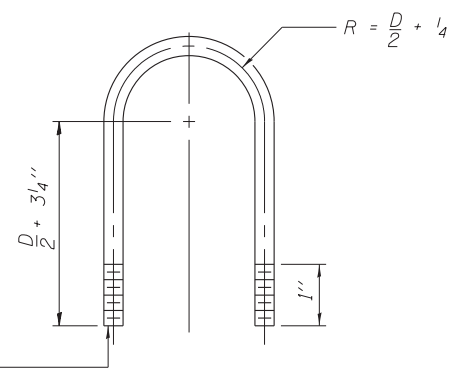
ELEVATION  
Aluminum Cantilever  
Sign Structure



SECTION A-A



DAMPING DEVICE MOUNTING  
TUBE U-BOLT DETAIL  
(Typical)



TOP CHORD TO CROSS TUBE  
U-BOLT DETAIL  
(Typical)

GENERAL NOTES

- Damper: One damper per truss. (31 lbs. Stockbridge-Type Aluminum-29" minimum between ends of weights)
- Materials: Aluminum tubes shall be ASTM B221 alloy 6061 temper T6

FILE NAME =	USER NAME =	DESIGNED - ABW	REVISED
		CHECKED -	REVISED
	PLOT SCALE =	DRAWN - KAR	REVISED
	PLOT DATE =	CHECKED -	REVISED

STATE OF ILLINOIS  
DEPARTMENT OF TRANSPORTATION

CANTILEVER SIGN STRUCTURE  
DAMPING DEVICE

SHEET NO. C3 OF 10A SHEETS

\*I-290/IL-53 FAI 290/FAP 342

F.A. RTE.	SECTION	COUNTY	TOTAL SHEETS	SHEET NO.
	2011-024-SG	COOK/DuPAGE	132	113
			CONTRACT NO. 60P24	

ILLINOIS FED. AID PROJECT