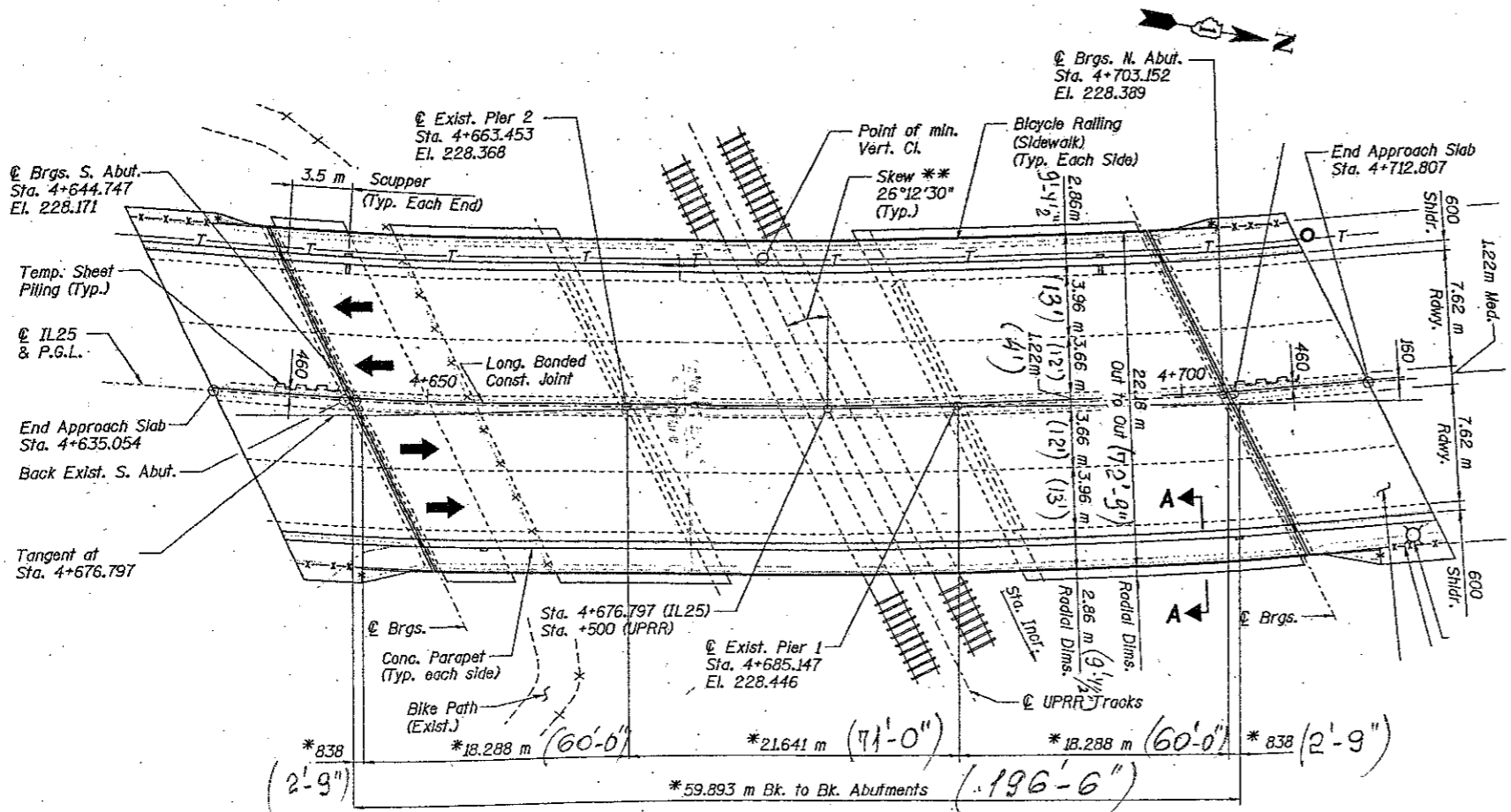
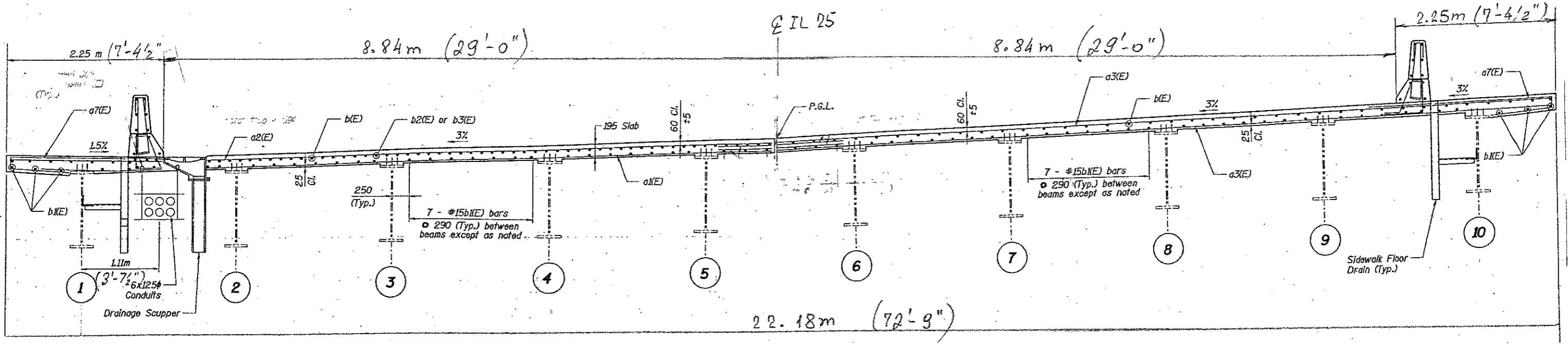


ROUTE	SECTION	COUNTY	TOTAL SHEETS	SHEET NUMBER
VARIOUS	2011-228-1	COOK & KANE	47	26

CONTRACT NO. 60R92



FOR INFORMATION ONLY

ILLINOIS DEPARTMENT OF  
TRANSPORTATION  
  
EXISTING PLANS  
LOCATION 10 (SN 045-0046)

PLAN