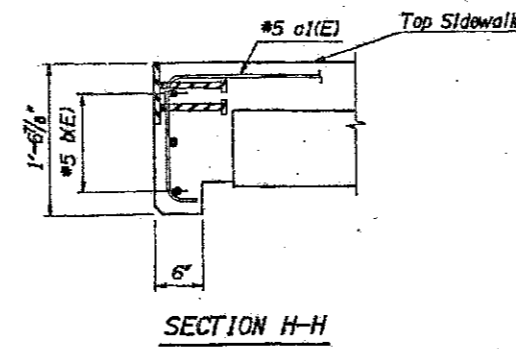
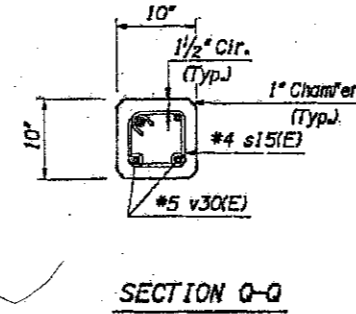
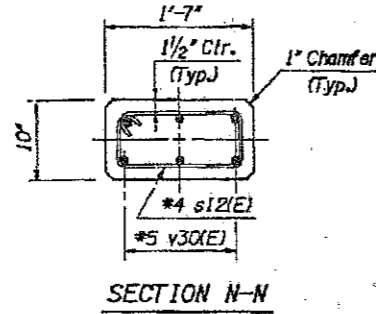
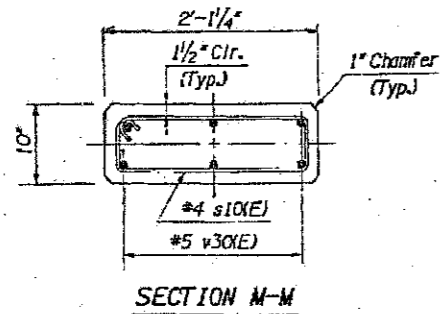
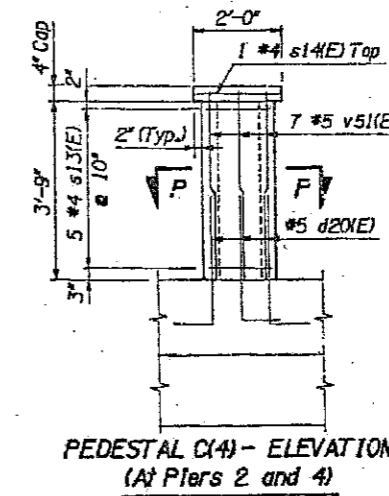
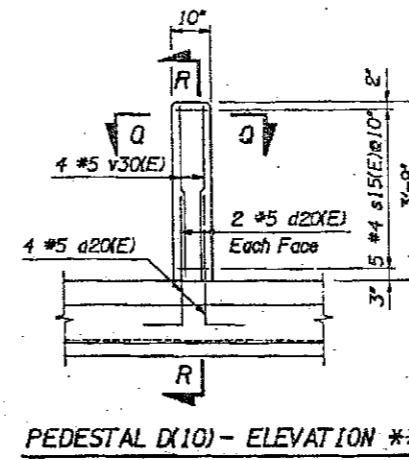
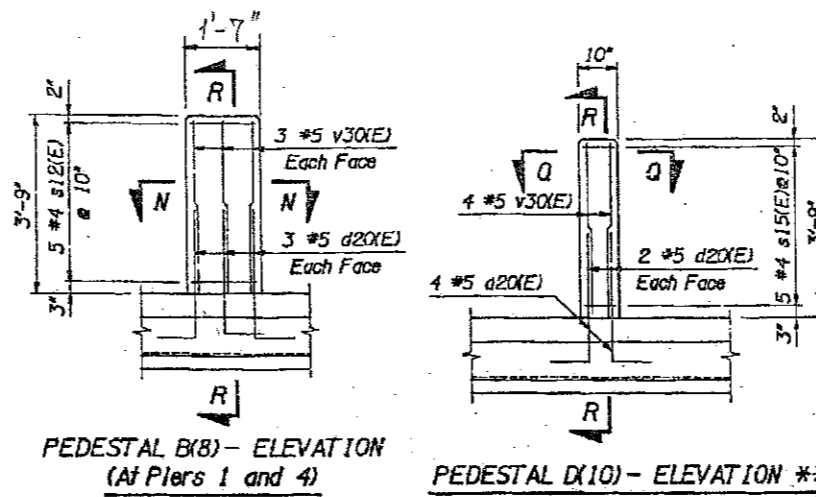
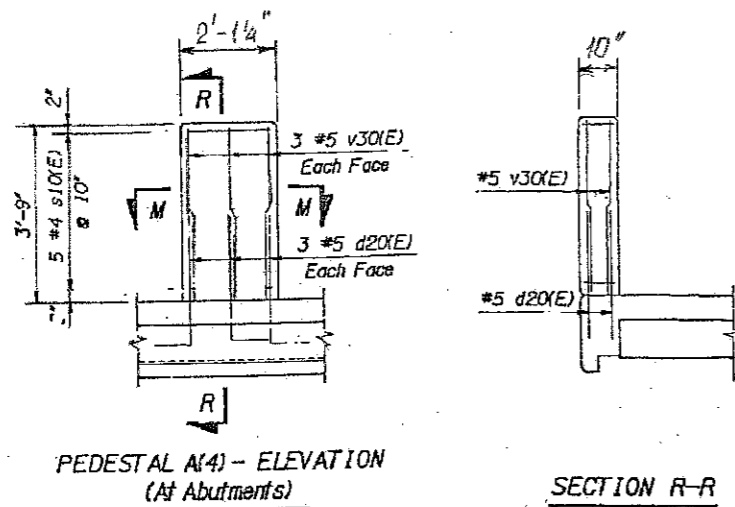
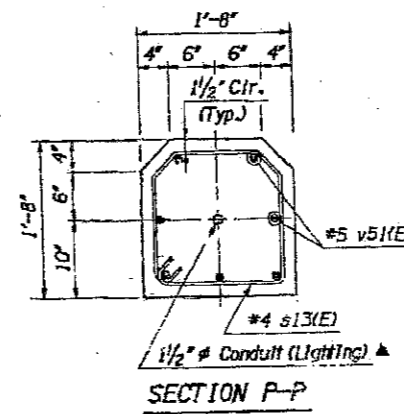
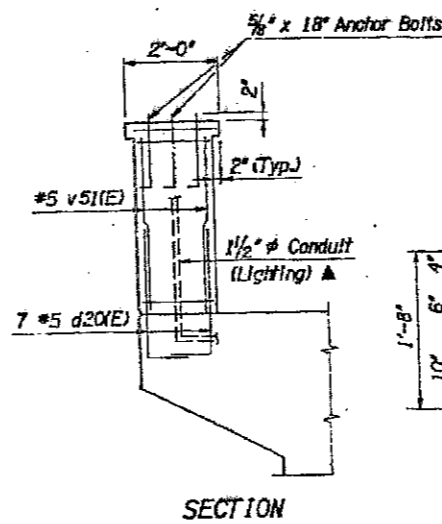
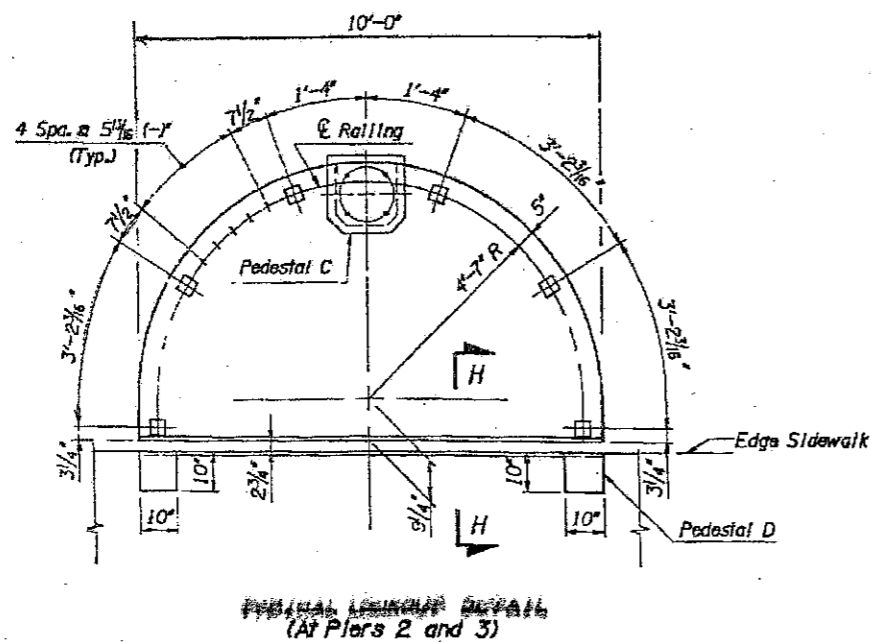


| ROUTE | SECTION | COUNTY | TOTAL SHEETS | SHEET NUMBER |
|---------|------------|-------------|--------------|--------------|
| VARIOUS | 2011-228-1 | COOK & KANE | 47 | 37A |

CONTRACT NO. 60R92



FOR INFORMATION ONLY



SHEET 2 OF 2

ILLINOIS DEPARTMENT OF
TRANSPORTATION

EXISTING PLANS
LOCATION 21 (SN 045-2014)