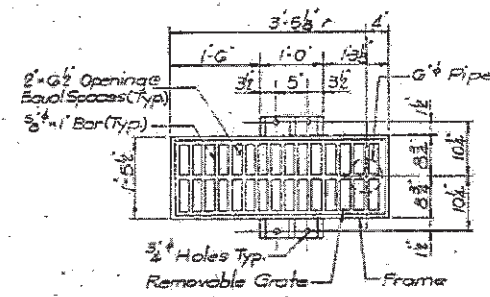
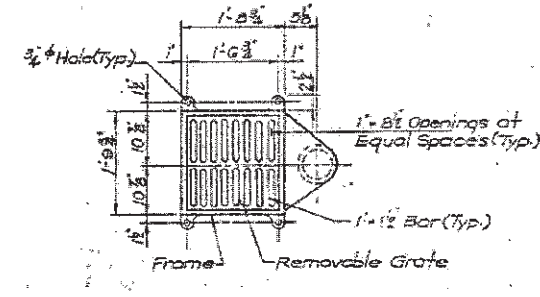


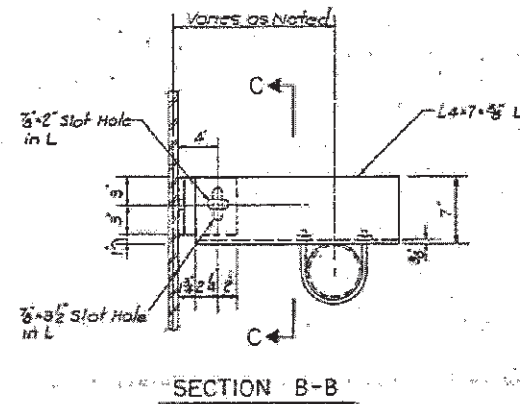
# FOR INFORMATION ONLY



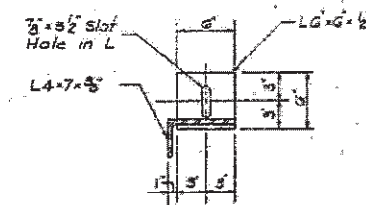
TYPICAL PLAN OF FREE FALL DRAIN AT EAST & WEST CURB



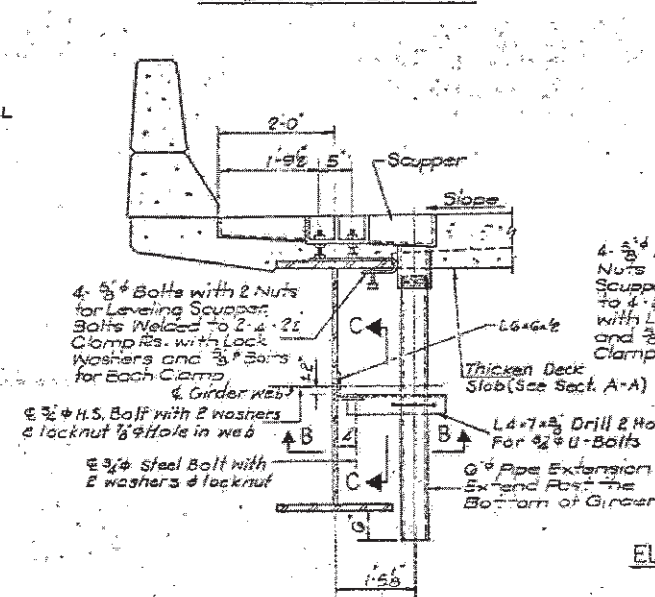
TYPICAL PLAN OF FREE FALL DRAIN AT MEDIAN



SECTION B-B

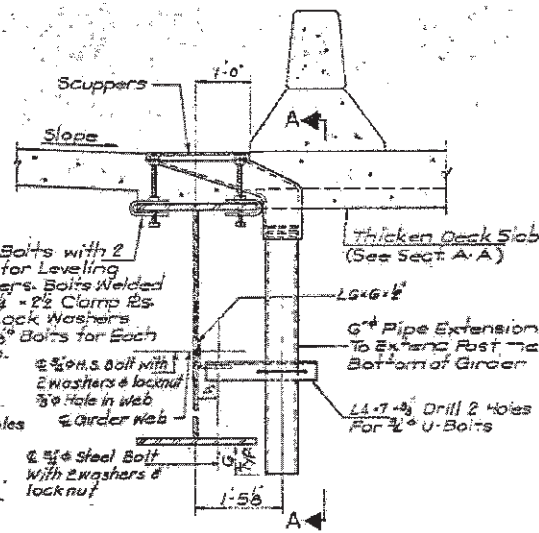


SECTION C-C



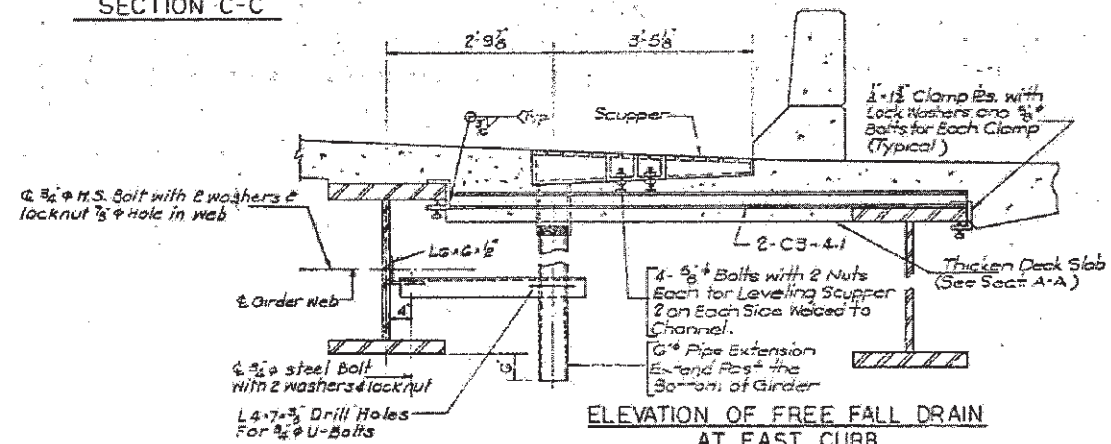
ELEVATION OF FREE FALL DRAIN AT WEST CURB

At Stations 46+34 and 48+72.5 and 53+76.0 (See Superstructure Plan)

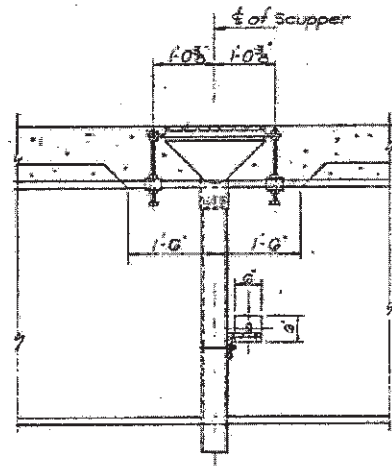


ELEVATION OF FREE FALL DRAIN AT MEDIAN

(At Station 45+20 See Superstructure Plan)



ELEVATION OF FREE FALL DRAIN AT EAST CURB



SECTION A-A

## BILL OF MATERIALS FOR DECK DRAINAGE

ITEM	UNIT	QUANTITY
1 Scupper 3'-9" x 1'-6"	Each	42
2 Scupper 1'-9" x 1'-10"	Each	9
3 Pipe 6"	Lin. Ft.	255
4 3/4" H.S. Bolts	No.	500
5 Downspout - 8" Tube	Lin. Ft.	1410
6 Downspout - 8" Tube	Lin. Ft.	250
7 Reducer Type 'A'	Each	22
8 Cap R. for Reducer Type 'A'	Each	22
9 Reducer Type 'B'	Each	18
10 Cap R. for Reducer Type 'B'	Each	18
11 Misc. Structural Support Steel	Lbs.	8170
12 U-Bolts with 2 Nuts and Washers	Each	86
13 Expansion Anchors w/Nuts & Washers	Each	480
14 Concrete Splash Blocks	Each	29

### Note:

- Purchasing and erecting of Scuppers and Deck Drainage will be paid for at a Lump Sum Price for Deck Drainage System.
- Scuppers and Grates shall be ductile Iron Castings. Pipes, downspouts, including specials, and accessories shall be Corrosion Resistant Steel. See Special Provisions.
- In lieu of the corrosion resistant pipe and tubing detailed on the plans for the deck drainage system, the Contractor may, at his option, substitute reinforced fiberglass pipe and fittings as specified in the Special Provisions. Slings, clamps, chain hangers, shoe supports, straps and other hardware may be galvanized in accordance with the applicable provisions of AASHTO M232 or AASHTO M111, in lieu of the requirement for corrosion resistant material.

# BRIDGE DRAINS DETAILS

FILE NAME =	USER NAME = curryev	DESIGNED -	REVISED -
c:\pwwork\pvidot\curryev\d8296919\013232-Design.dgn		DRAWN -	REVISED -
PLOT SCALE = 100.0000' / in.		CHECKED -	REVISED -
PLOT DATE = 3/2/2012		DATE -	REVISED -

STATE OF ILLINOIS  
DEPARTMENT OF TRANSPORTATION

DRAINAGE REPAIRS  
(SN 016-2504)

\*1) FAU 2612  
2) FAP 330

SCALE:	SHEET 6	OF 13 SHEETS	STA.	TO STA.	F.A. RTE.	SECTION	COUNTY	TOTAL SHEETS	SHEET NO.
					*	2012-001-I	COOK	27	11
								CONTRACT NO. 60T31	
								ILLINOIS FED. AID PROJECT	