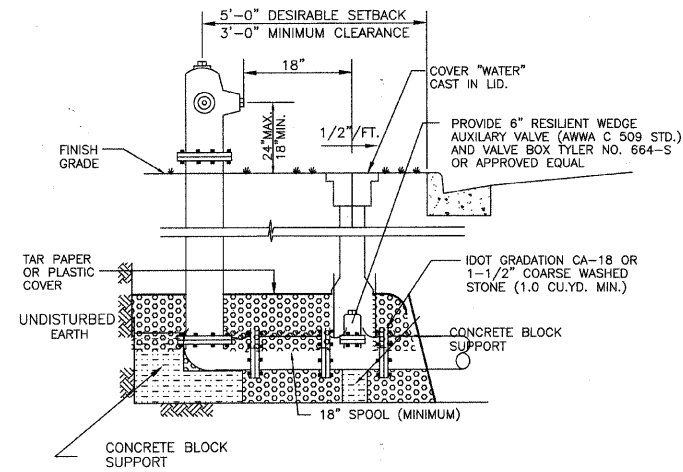


HYDRANT SETTING

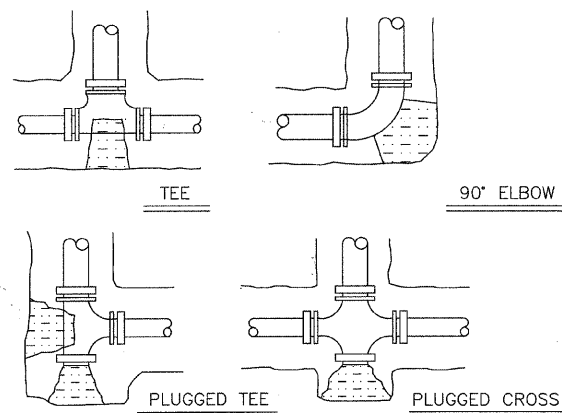
NOTE: THE FIRE HYDRANT SHALL BE A WATEROUS PACER 100 MODEL NO. WB-67-100 FIELD PAINTED GLOSS RED OR AN APPROVED EQUAL



- NOTES:
1. PROVIDE CONCRETE BASE AND THRUST BLOCKING AT BACK AND BOTH SIDES TO HOLD HYDRANT SOLID AND VERTICAL. (CONCRETE SHOULD NOT BLOCK OR OBSTRUCT HYDRANT DRAIN OPENINGS.)
 2. FIRE HYDRANT, 6" AUXILIARY VALVE, AND TEE IN MAIN SHALL BE FURNISHED WITH MECHANICAL JOINTS FOR ANCHORING UNITS TOGETHER. APPROVED THRUST RESTRAINING DEVICES MAY ALSO BE USED.

WAT. NO. 2

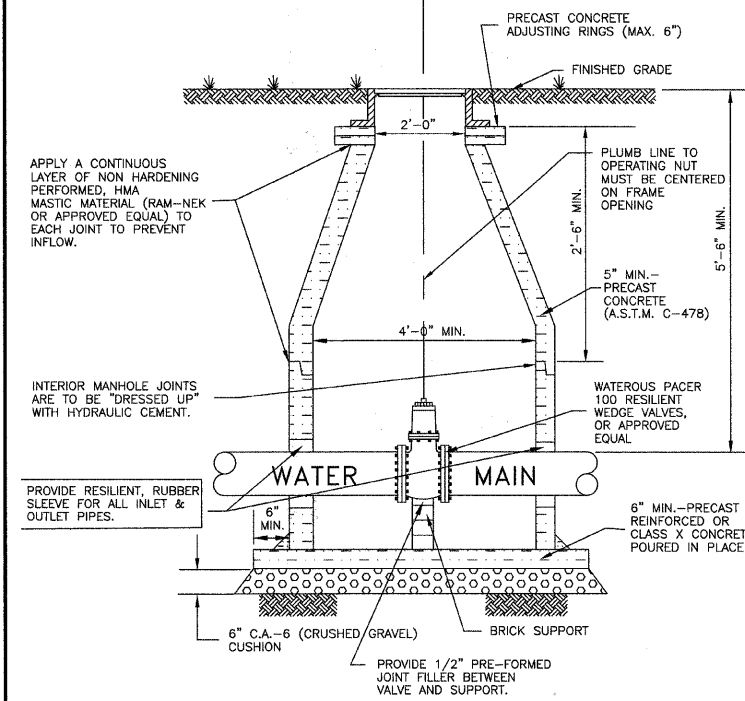
TYPICAL THRUST BLOCKING



- NOTES:
- THRUST BLOCKING SHALL BE PROVIDED TO PREVENT MOVEMENT OF LINES UNDER PRESSURE AT ALL BENDS OF 11-1/4" OR MORE, TEES, VALVES, HYDRANTS, AND AT OTHER POINTS SPECIFIED BY THE VILLAGE ENGINEER.
- ALL THRUST BLOCKS SHALL BEAR AGAINST UNDISTURBED EARTH.
- ALL BLOCKS ARE TO BE POURED-IN-PLACE USING 3000 P.S.I. (MINIMUM) CONCRETE BEING AT LEAST 8" THICK FROM EARTH WALL TO FITTING.
- THRUST BLOCKING SHALL BE PLACED IN A MANNER THAT PIPE AND FITTINGS WILL BE ACCESSIBLE FOR REPAIRS.

WAT. NO. 5

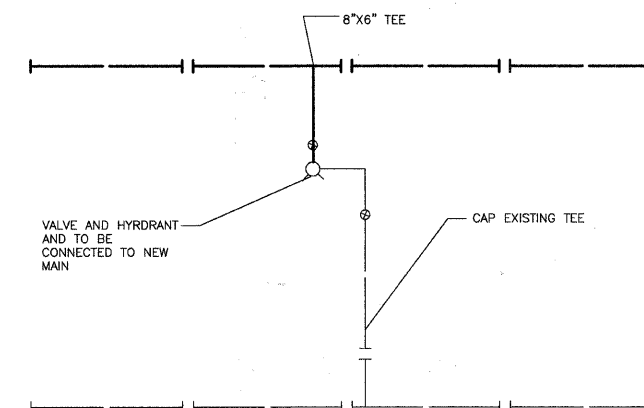
VALVE VAULT



- NOTES:
- A 5'-0" DIAMETER VALVE VAULT SHALL BE PROVIDED FOR 12 INCH VALVES OR LARGER.
- VALVES VAULTS SHALL INCLUDE FURISHING AND PLACING CAST IRON FRAME AND LID, EQUAL TO NEENAH FOUNDRY CO. CATALOG R-1077-B OR EAST JORDAN 1022 HD WITH TYPE B LID, 1" RECESSED PICK HOLES, AND WORD "WATER" CAST IN LID.
- VALVES SHALL MEET AWWA C-509 STANDARDS AND SHALL MEET VILLAGE OF EAST DUNDEE REQUIREMENTS.

WAT. NO. 1

FIRE HYDRANTS TO BE MOVED (SPECIAL)



- NOTE: REDUCERS MAY BE NECESSARY DEPENDING ON SIZE OF HYDRANT LEAD.
- ALL MATERIAL AND LABOR TO BE CONSIDERED INCIDENTAL TO "FIRE HYDRANT TO BE MOVED (SPECIAL)".