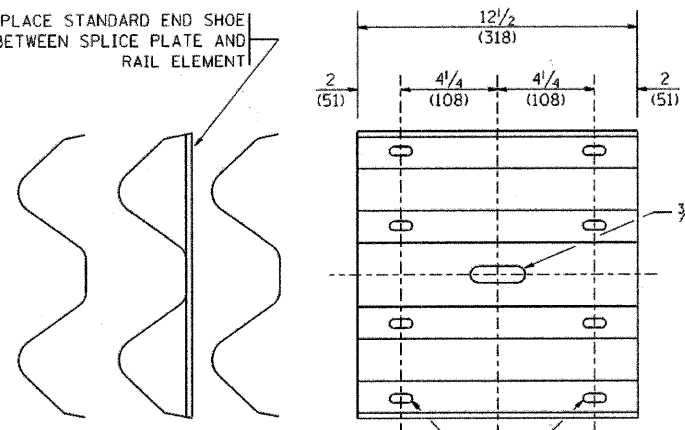
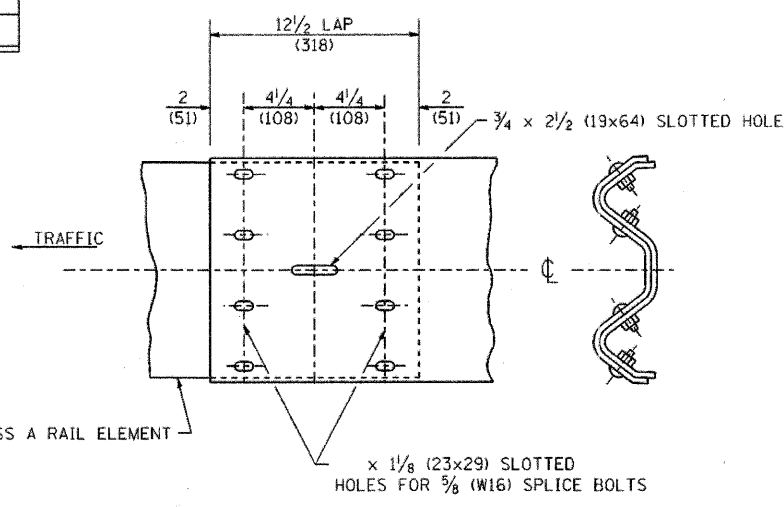


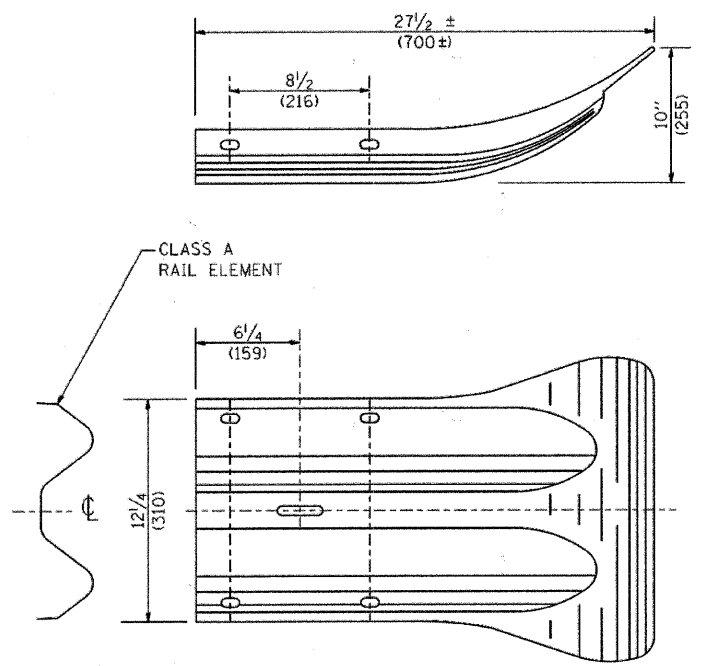
PLACE STANDARD END SHOE BETWEEN SPLICE PLATE AND RAIL ELEMENT



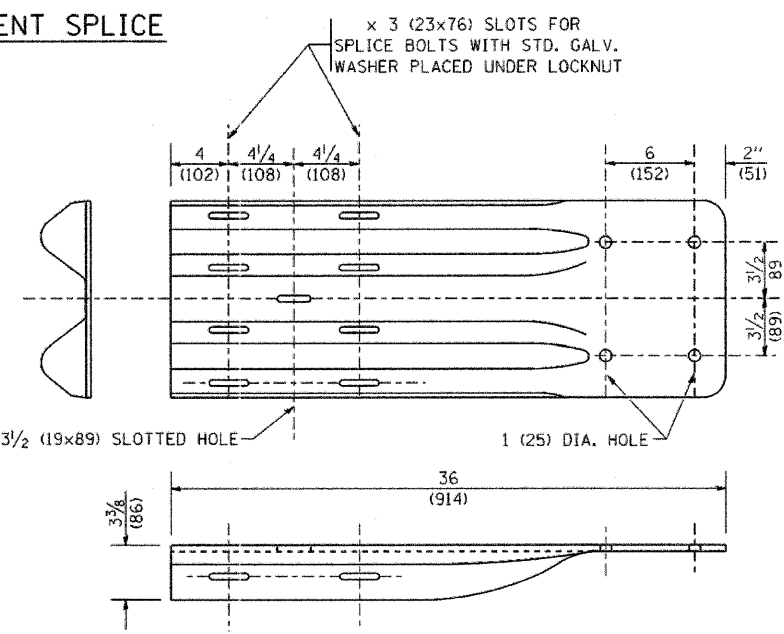
SPLICE PLATE



RAIL ELEMENT SPLICE

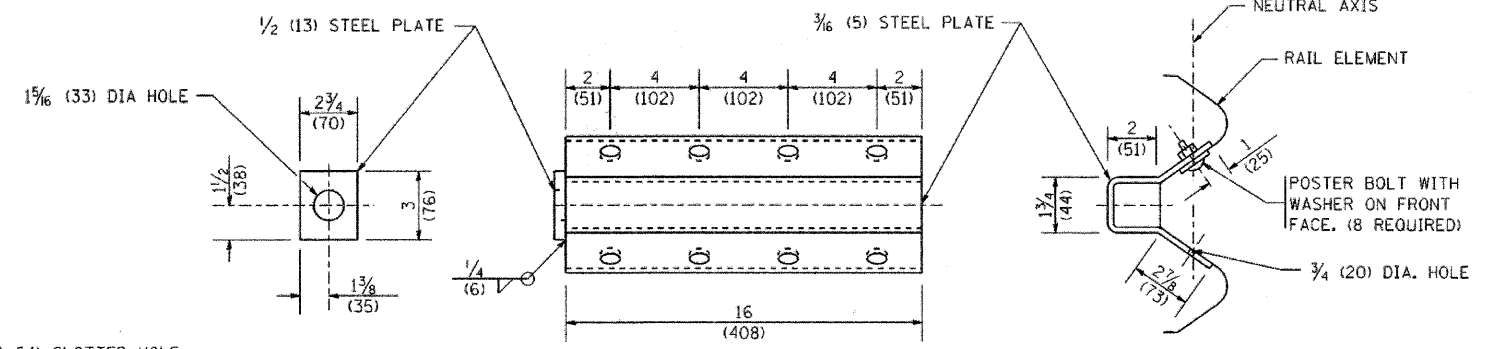


END SECTION



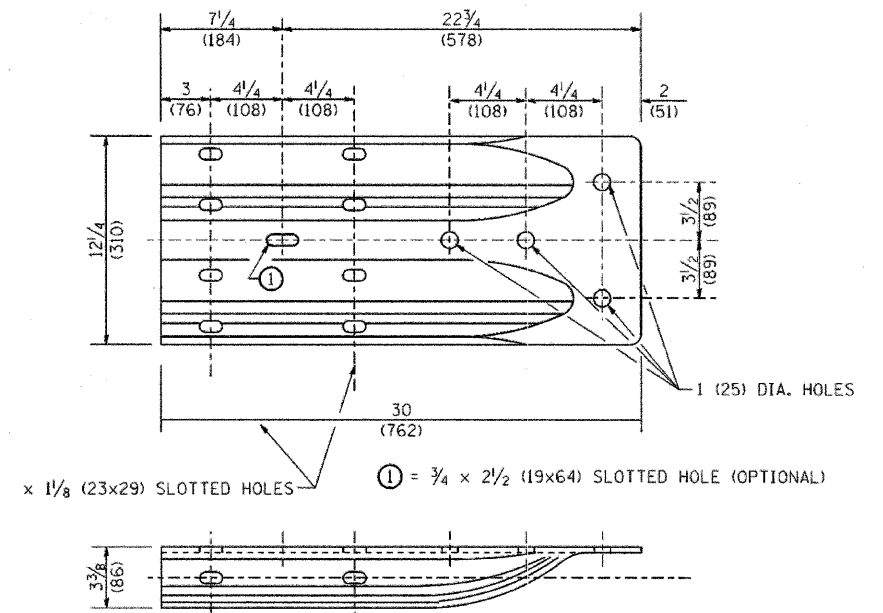
END SHOE

NOTE:
 WHEN END SHOE IS ATTACHED TO A BRIDGE PARAPET WHICH HAS AN EXPANSION JOINT, THE BOLTS SHALL BE PROVIDED WITH A LOCKNUT OR DOUBLE NUT AND SHALL BE TIGHTENED ONLY TO A POINT THAT WILL ALLOW GUARDRAIL MOVEMENT.
 THE STANDARD END SHOE SHALL BE ATTACHED TO THE CONCRETE WITH PRE-DRILLED OR SELF-DRILLING ANCHOR BOLTS. THE ANCHOR CONE SHALL BE SET FLUSH WITH THE SURFACE OF THE CONCRETE.
 EXTERNALLY THREADED STUDS PROTRUDING FROM THE SURFACE OF THE CONCRETE WILL NOT BE PERMITTED.



NOTE:
 ANCHOR PLATE T SHALL BE USED TO ATTACH CABLE ASSEMBLY TO GUARDRAIL WHEN REQUIRED ON TRAFFIC BARRIER TERMINALS.

ANCHORE PLATE T DETAILS



ALTERNATE END SHOE

FILE NAME =	USER NAME = gegljanobt
W:\diststd\22x34\bm21.dgn	
PLOT SCALE = 50.0000 "/ IN.	
PLOT DATE = 1/4/2008	

DESIGNED -	REVISED - 10-31-06
DRAWN -	REVISED -
CHECKED -	REVISED -
DATE -	REVISED -

STATE OF ILLINOIS
 DEPARTMENT OF TRANSPORTATION

SCALE: NONE	SHEET NO. 3 OF 4 SHEETS	STA.	TO STA.
-------------	-------------------------	------	---------

F.A. RTE.	SECTION	COUNTY	TOTAL SHEETS	SHEET NO.
2528	04-00043-00-PV	KANE	85	84
BM-21			CONTRACT NO. 63507	
FED. ROAD DIST. NO. 1 (ILLINOIS) FED. AID PROJECT				