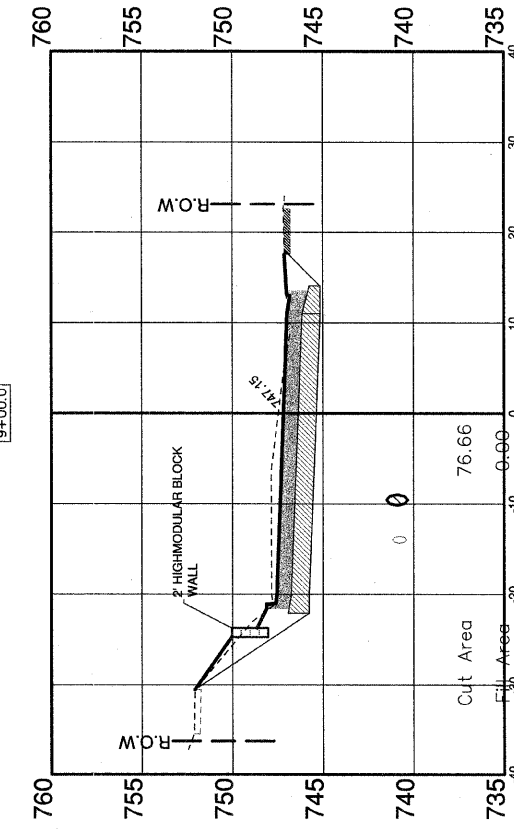
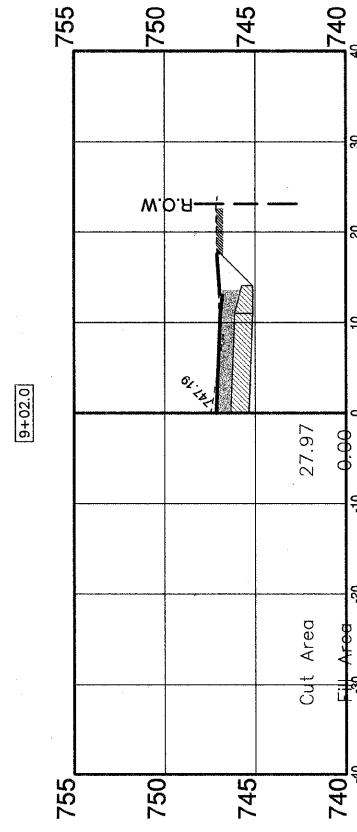
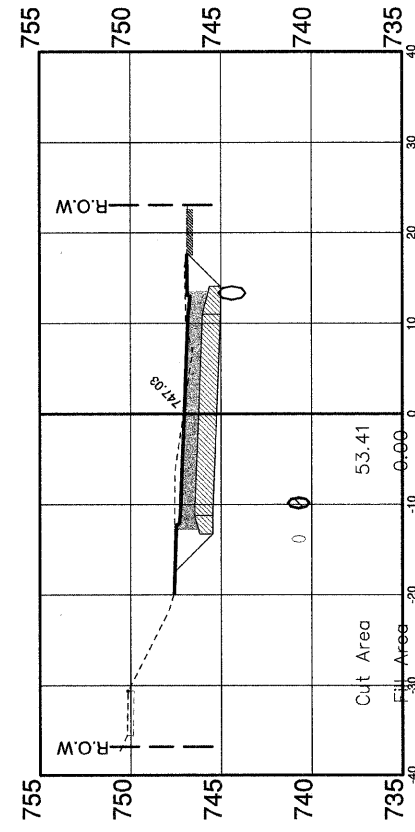
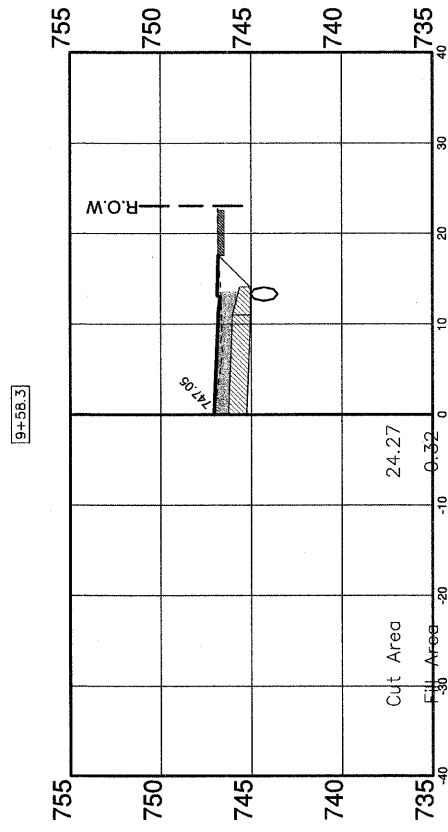
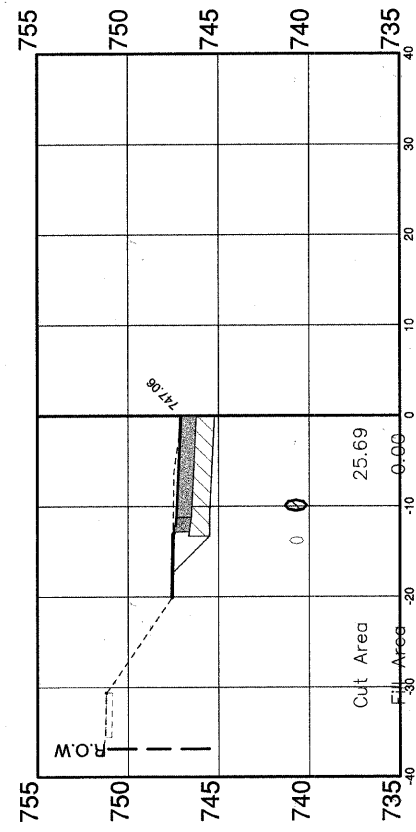
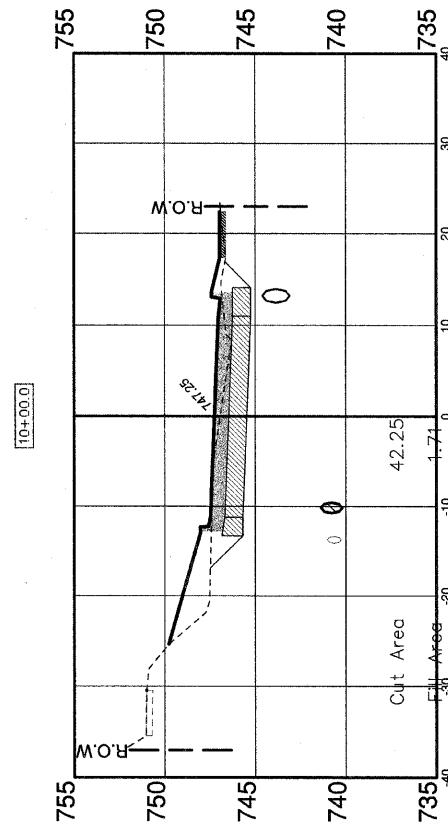
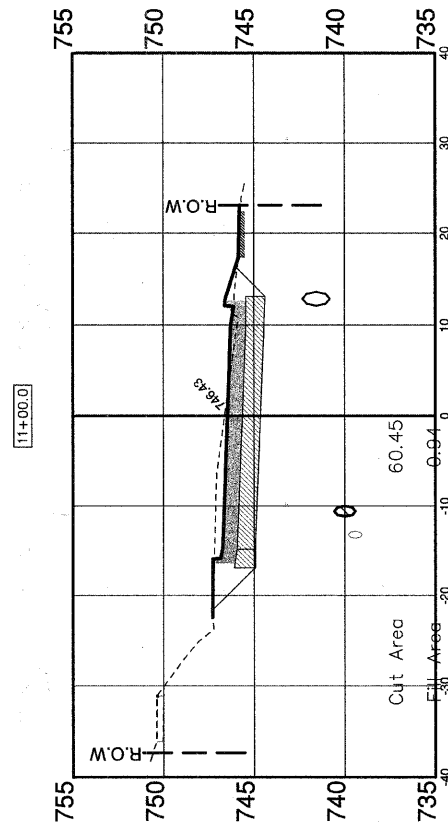
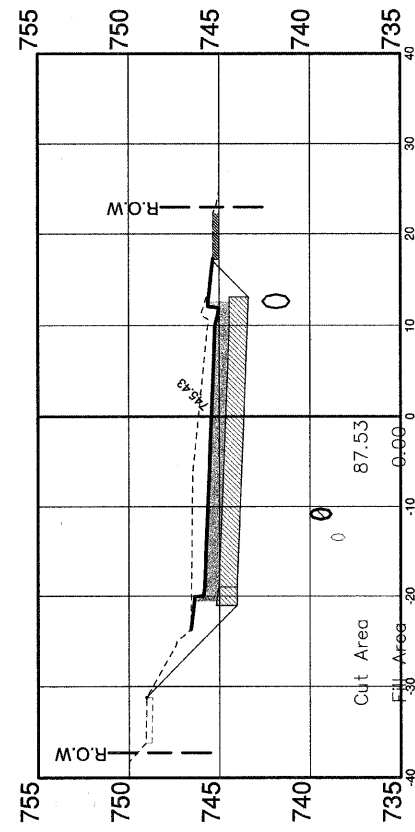
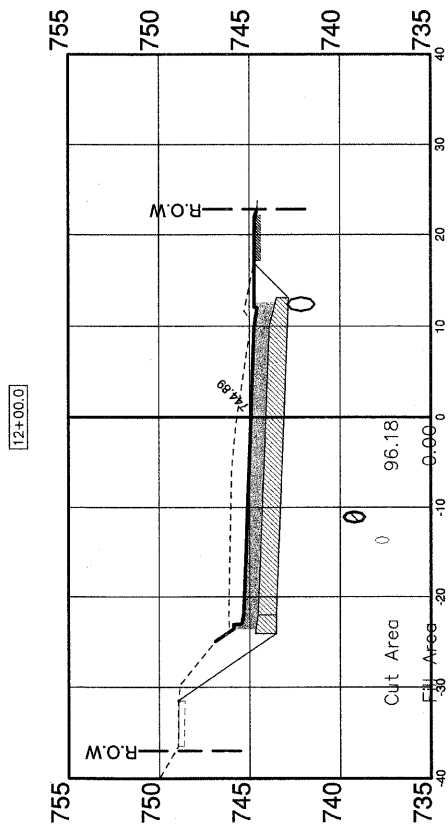
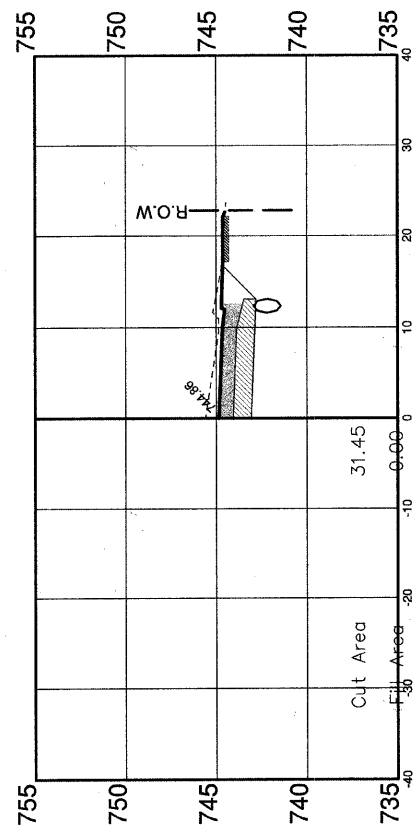


DESIGNED:	SURVEYED:	BY	DATE
DRAWN:	PLOTTED:		
CHECKED:	TEMPLATE:		
NO.	DATE:		
AREAS:	AREAS:		

DESIGNED:	SURVEYED:	BY	DATE
DRAWN:	PLOTTED:		
CHECKED:	TEMPLATE:		
NO.	DATE:		
AREAS:	AREAS:		



NOTE: CROSS SECTIONS SHOWN ARE LOOKING SOUTH.

FILE NAME: xxx

GERALD L. HEINZ & ASSOCIATES, INC.
CONSULTING ENGINEERS & LAND SURVEYORS
206 NORTH RIVER STREET
EAST DUNDEE, ILLINOIS 60118

USER NAME:
DESIGNED: EBW
DRAWN: PC
CHECKED: JQH
DATE: AUGUST 25, 2010

REVISOR: MARCH 23, 2011
REVISOR: MAY 16, 2011
REVISOR:
REVISOR:

STATE OF ILLINOIS
DEPARTMENT OF TRANSPORTATION

CROSS SECTIONS

SCALE: 1" = 10'
SHEET NO. 3 OF 16 SHEETS
STA: 9+00 TO STA: 12+07

ROUTE	SECTION	COUNTY	TOTAL SHEETS	SHEET NO.
252B	04-00043-00-RV	KANE	85	72
FED. ROAD DIST. NO. ILLINOIS			CONTRACT NO. 63507	
ILLINOIS			FED. AID. PROJECT	