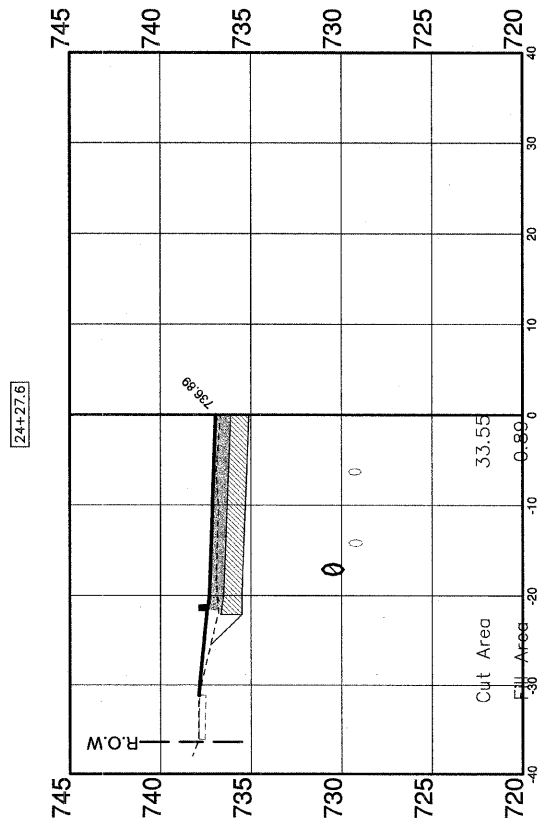
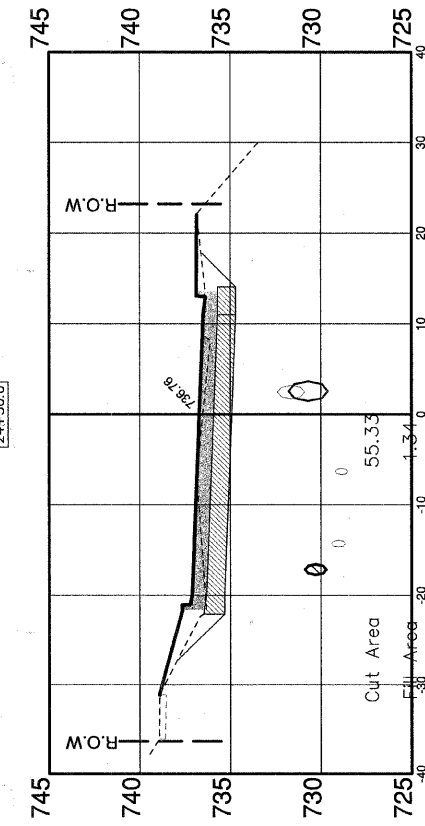
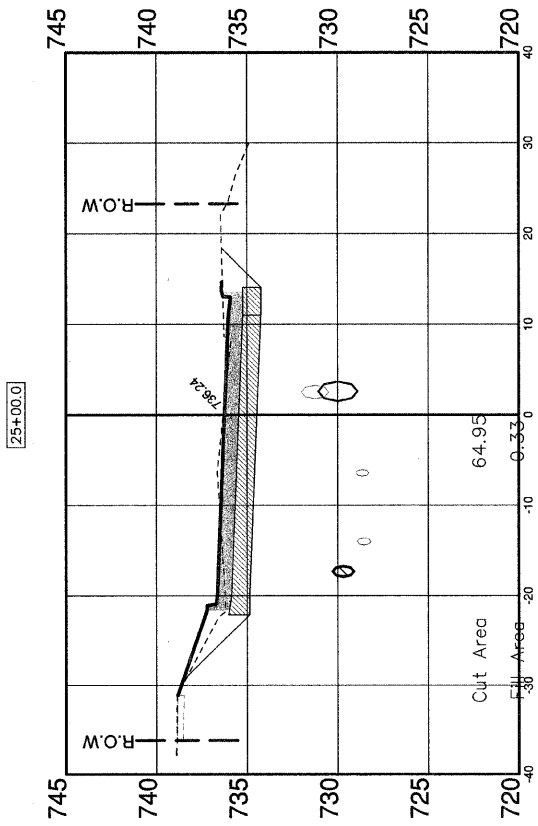
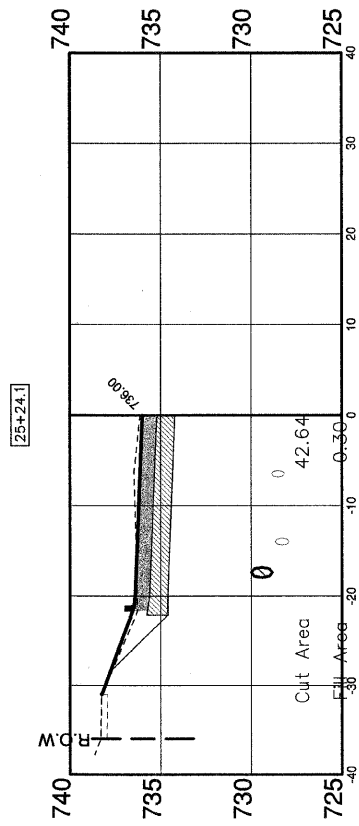
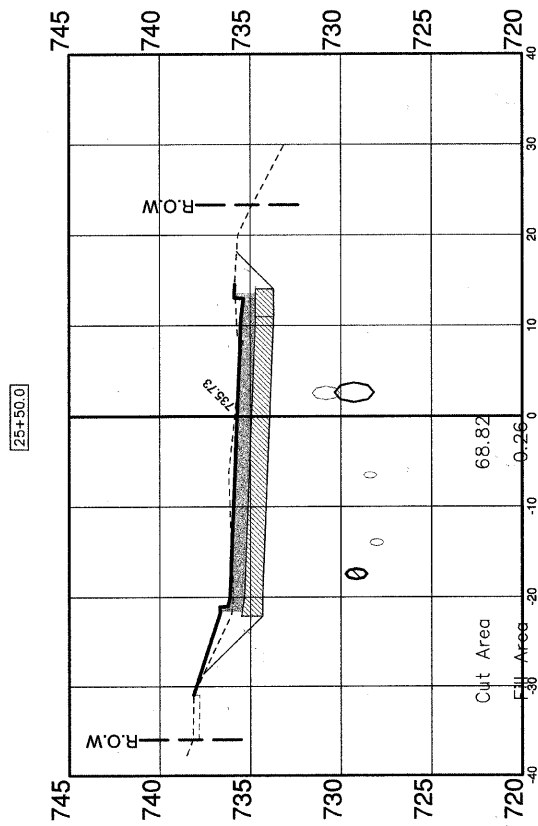
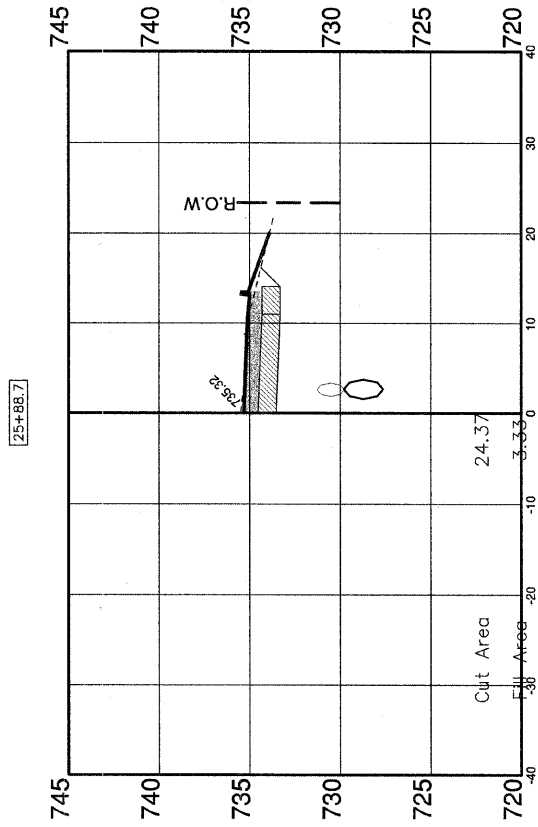
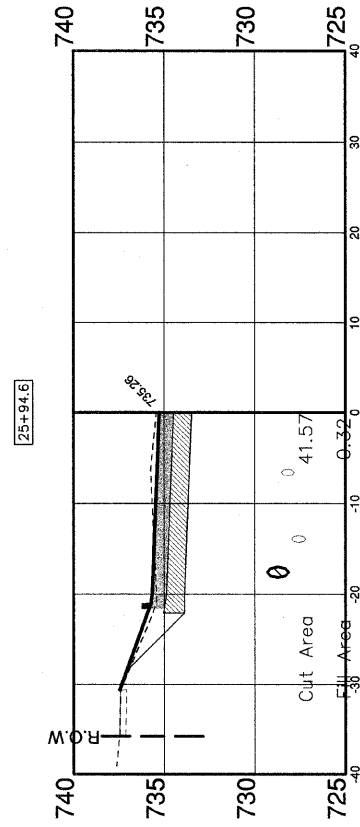
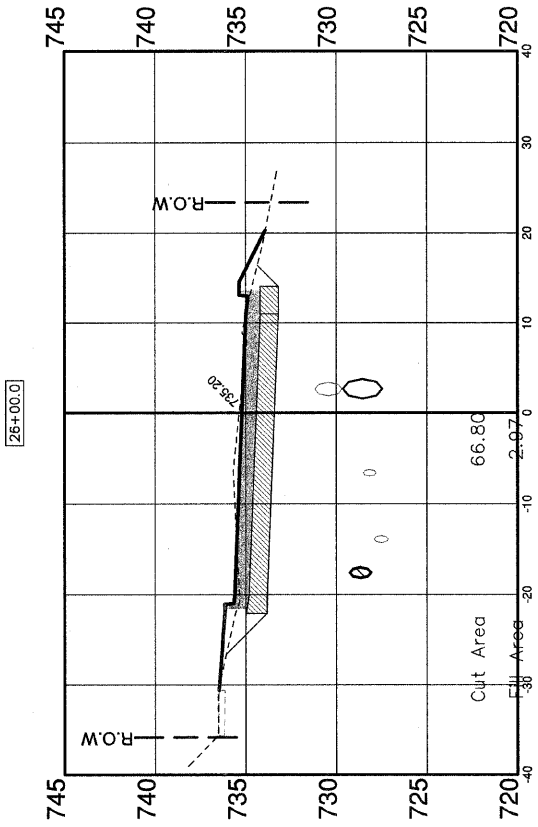
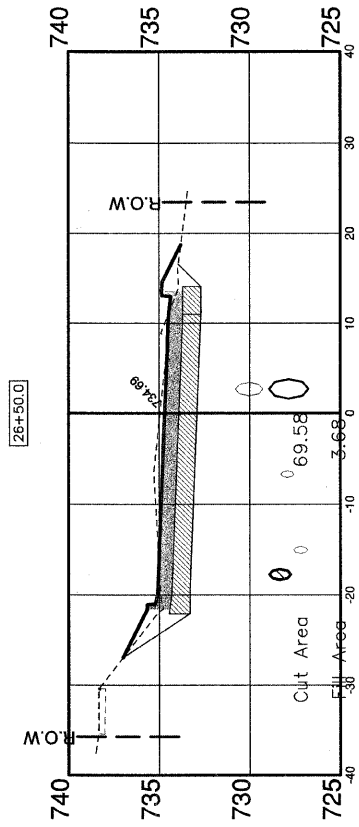
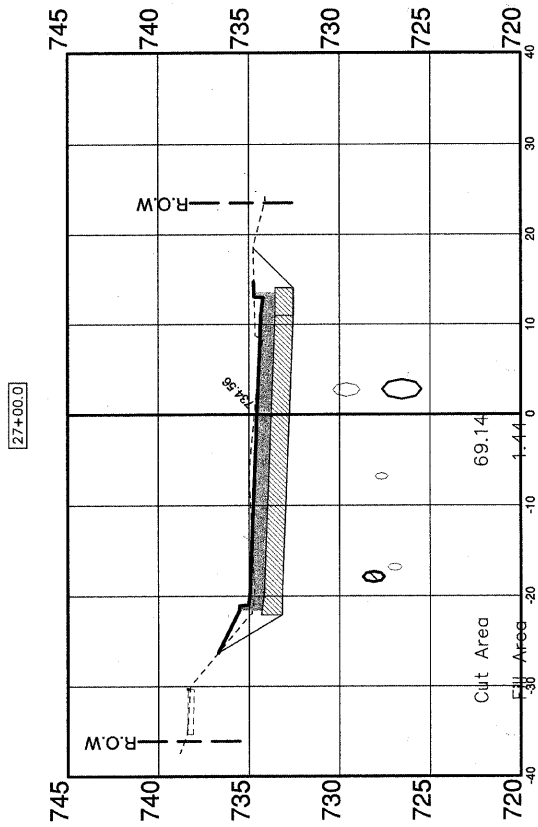


DESIGNED:	SURVEYED:	BY:	DATE:
DRAWN:	PLOTTED:		
CHECKED:	TEMPLATE:		
NO. _____	DATE:		
AREAS:			

DESIGNED:	SURVEYED:	BY:	DATE:
DRAWN:	PLOTTED:		
CHECKED:	TEMPLATE:		
NO. _____	DATE:		
AREAS:			



NOTE: CROSS SECTIONS SHOWN ARE LOOKING SOUTH.

FILE NAME: xxx

GERALD L. HEINZ & ASSOCIATES, INC.  
CONSULTING ENGINEERS & LAND SURVEYORS  
206 NORTH RIVER STREET  
EAST DUNDEE, ILLINOIS 60118

USER NAME:  
PLOT SCALE: 1" = 20'  
PLOT DATE:

DESIGNED: EBW  
DRAWN: PC  
CHECKED: JQH  
DATE: AUGUST 25, 2010

REVISED: MARCH 23, 2011  
REVISED: MAY 16, 2011  
REVISED:  
REVISED:

STATE OF ILLINOIS  
DEPARTMENT OF TRANSPORTATION

CROSS SECTIONS

SCALE: 1" = 10' SHEET NO. 7 OF 16 SHEETS STA: 24+27 TO STA: 27+00

ROUTE	SECTION	COUNTY	TOTAL SHEETS	SHEET NO.
252B	04-00043-00-PV	KANE	85	76
FED. ROAD DIST. NO. ILLINOIS			CONTRACT NO. 63507	
FED. AID. PROJECT				