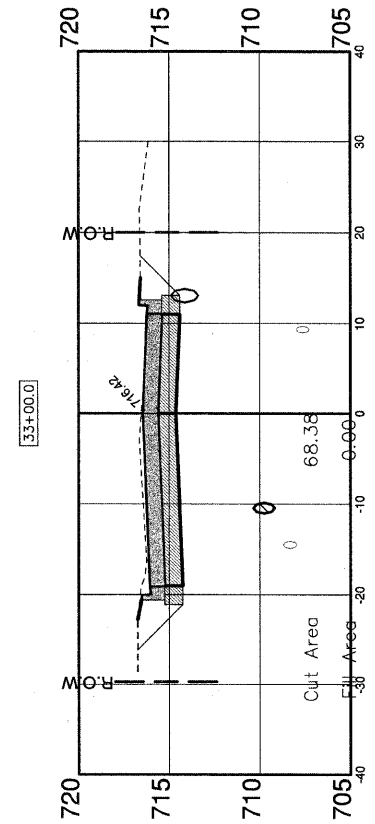
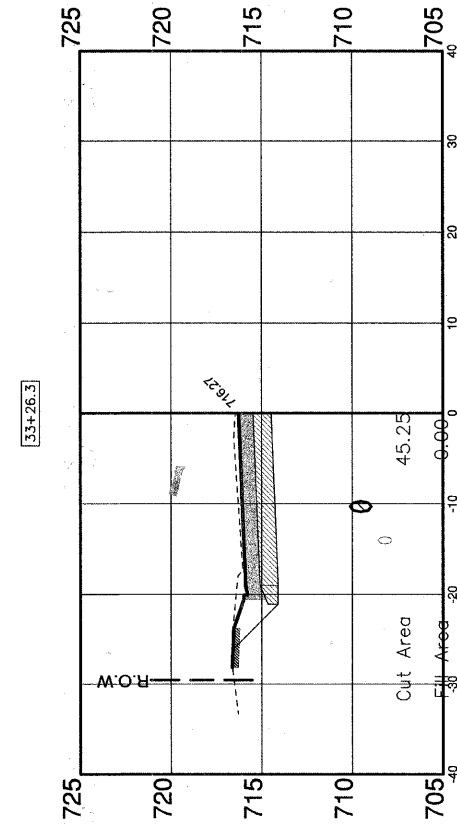
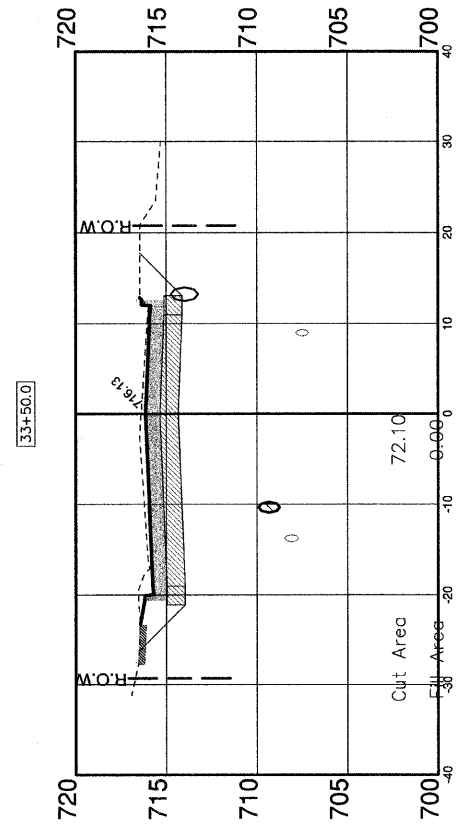
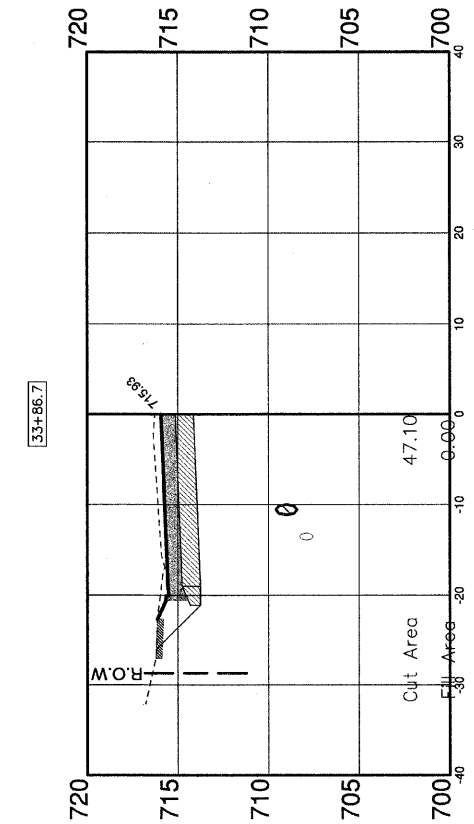
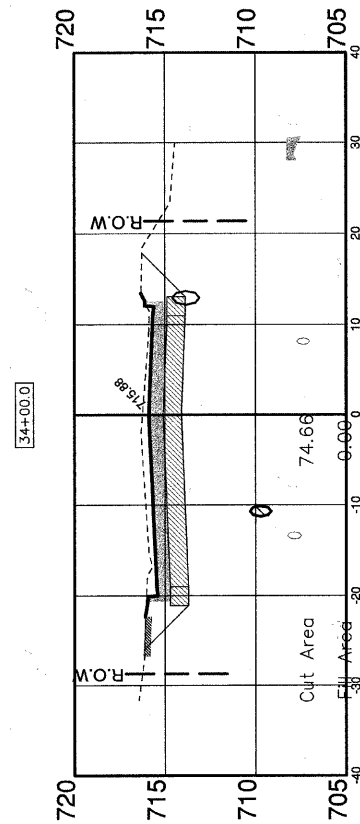
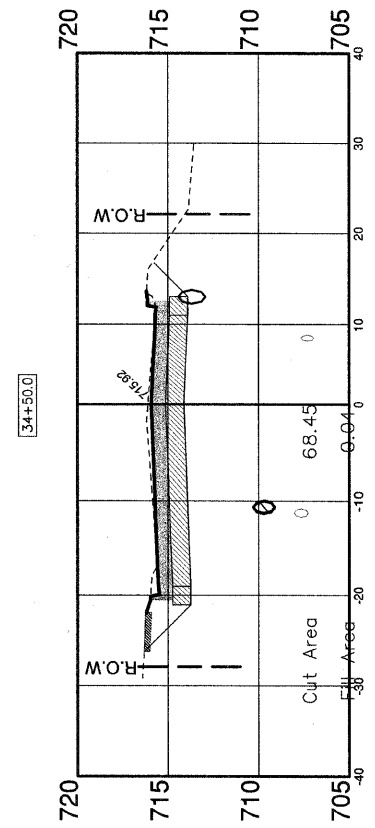
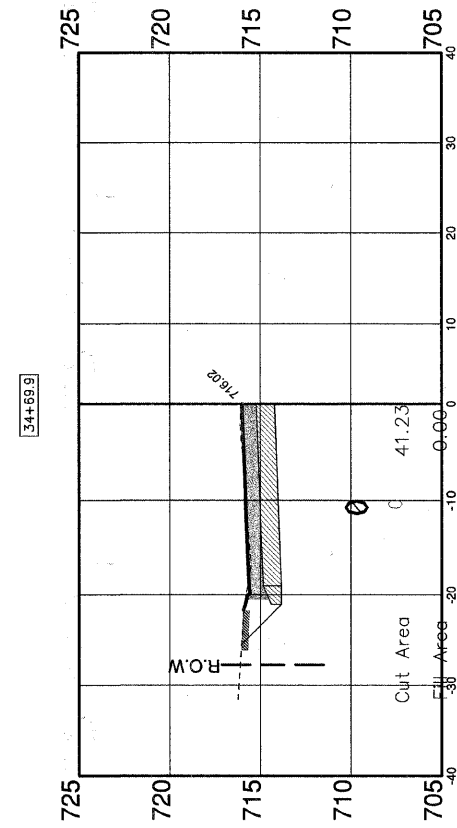
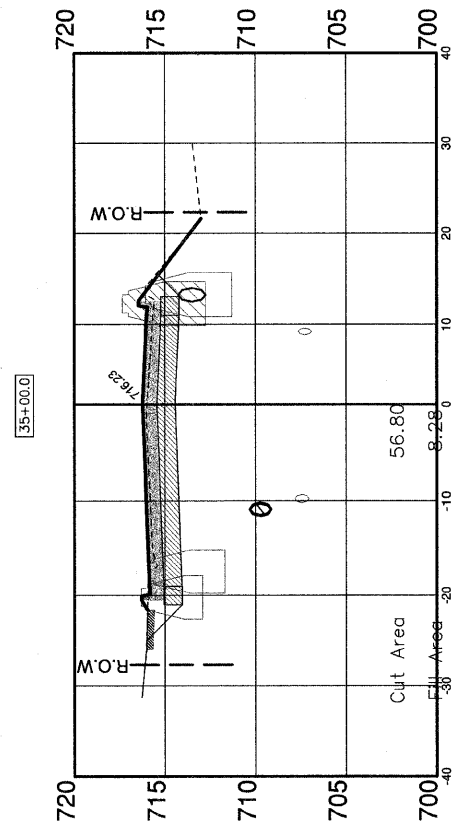
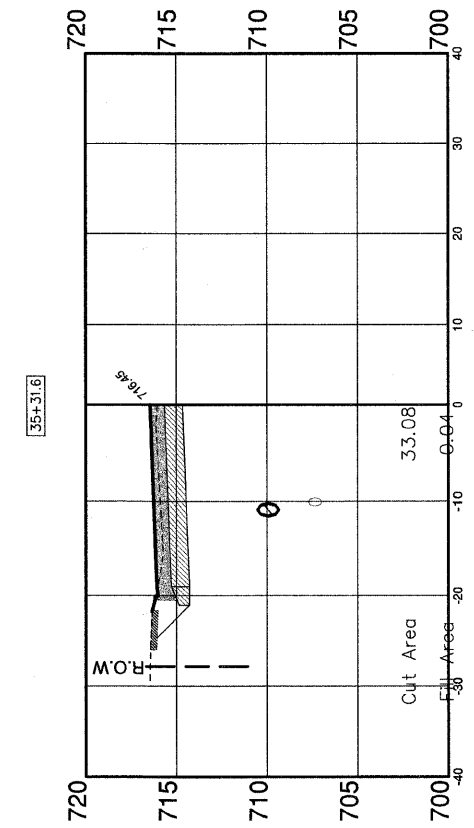
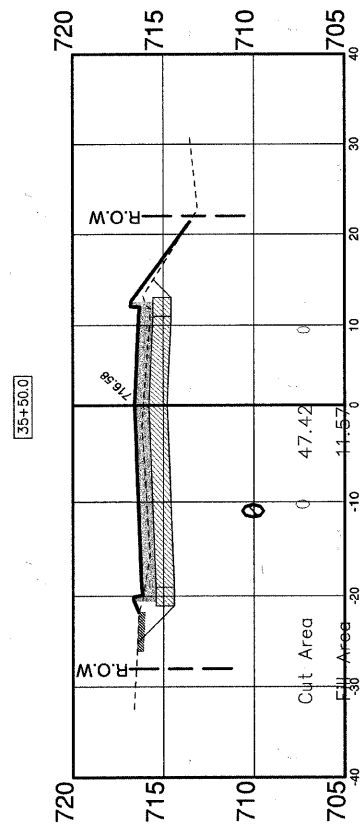


DESIGNED:	SURVEYED:	BY:	DATE:
DRAWN:	PLOTTED:		
CHECKED:	TEMPLATE:		
NOTE BOOK NO.:	DATE:		
	AREAS:		
	AREAS:		

DESIGNED:	SURVEYED:	BY:	DATE:
DRAWN:	PLOTTED:		
CHECKED:	TEMPLATE:		
NOTE BOOK NO.:	DATE:		
	AREAS:		
	AREAS:		



NOTE: CROSS SECTIONS SHOWN ARE LOOKING SOUTH.

FILE NAME: xxx

GERALD L. HEINZ & ASSOCIATES, INC.
CONSULTING ENGINEERS & LAND SURVEYORS
206 NORTH RIVER STREET
EAST DUNDEE, ILLINOIS 60118

USER NAME:
PLOT SCALE: 1" = 20'
PLOT DATE:

DESIGNED: EBW
DRAWN: PC
CHECKED: JDH
DATE: AUGUST 25, 2010

REVISED: MARCH 23, 2011
REVISED: MAY 16, 2011
REVISED:
REVISED:

STATE OF ILLINOIS
DEPARTMENT OF TRANSPORTATION

CROSS SECTIONS

SCALE: 1" = 10' SHEET NO. 10 OF 16 SHEETS STA: 33+00 TO STA: 35+50

FAH ROUTE	SECTION	COUNTY	TOTAL SHEETS	SHEET NO.
252B	04-00043-00-PV	KANE	85	79
FED. ROAD DIST. NO. ILLINOIS			CONTRACT NO. 63507	
FED. AID. PROJECT				