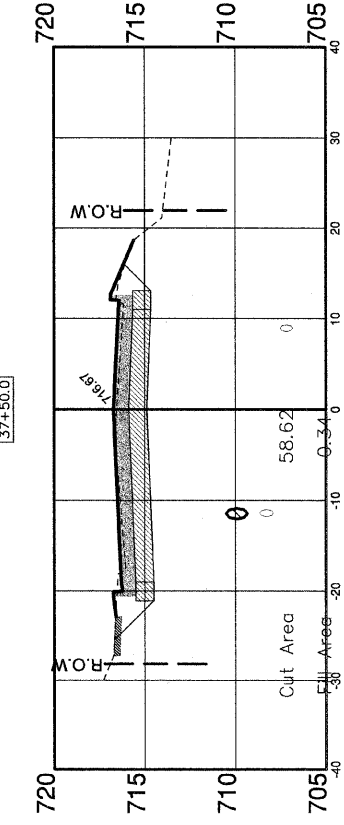
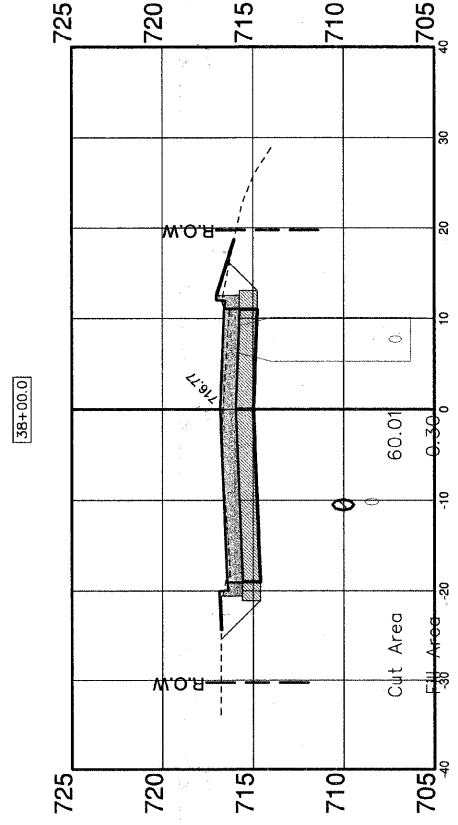
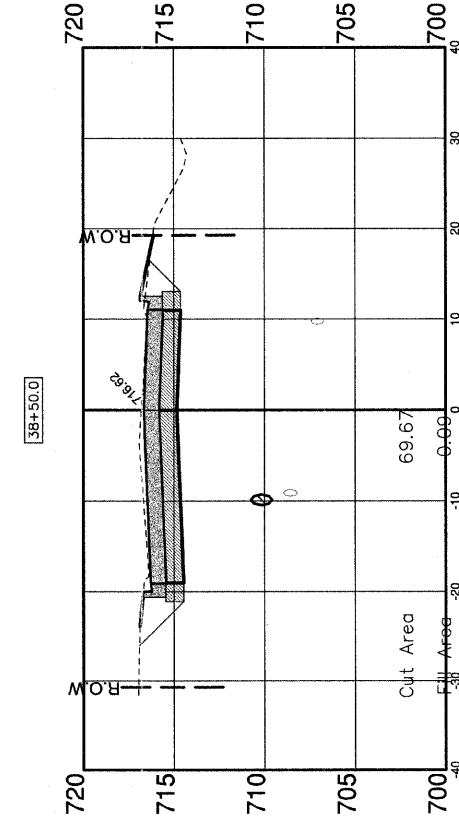
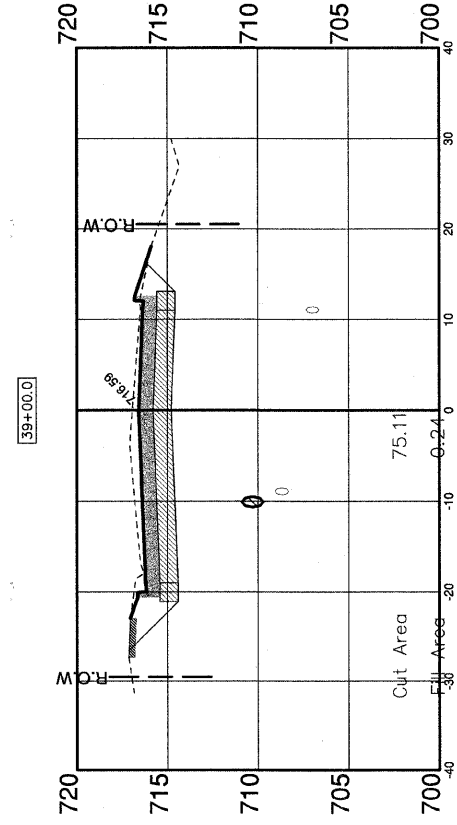
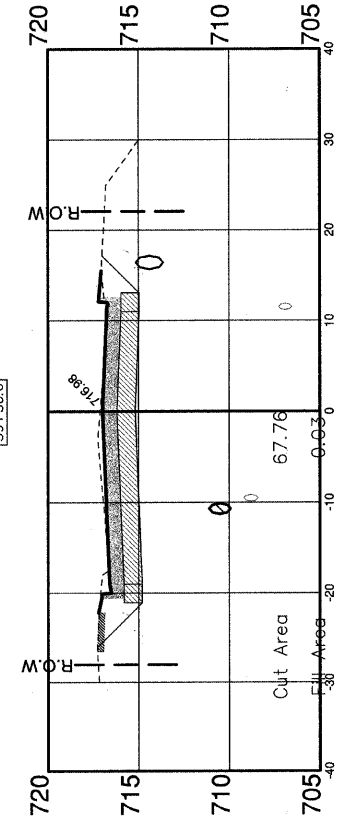
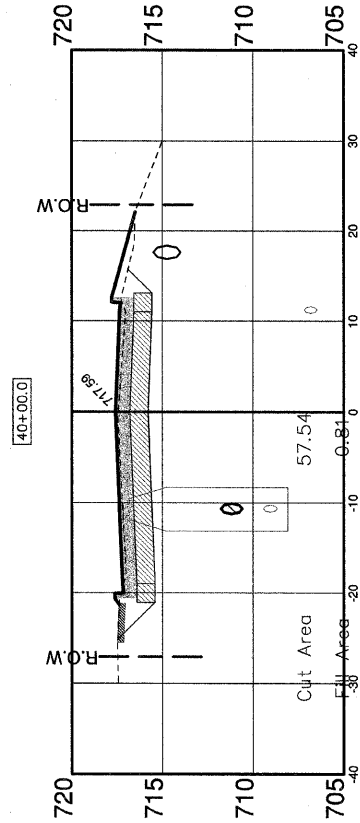
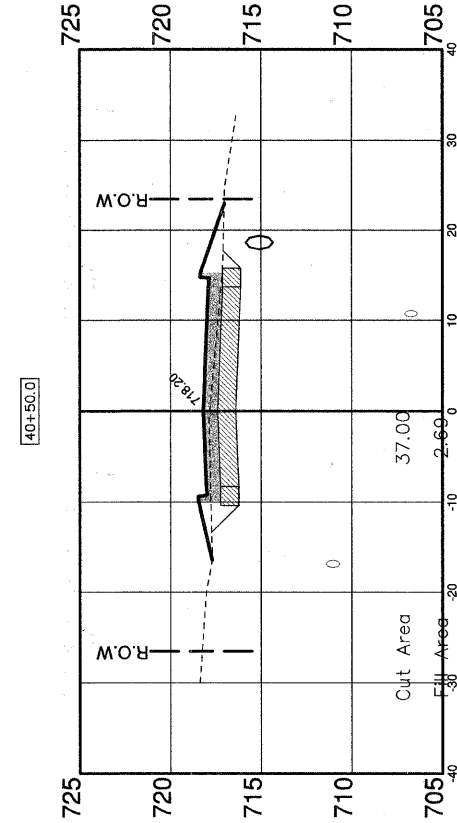
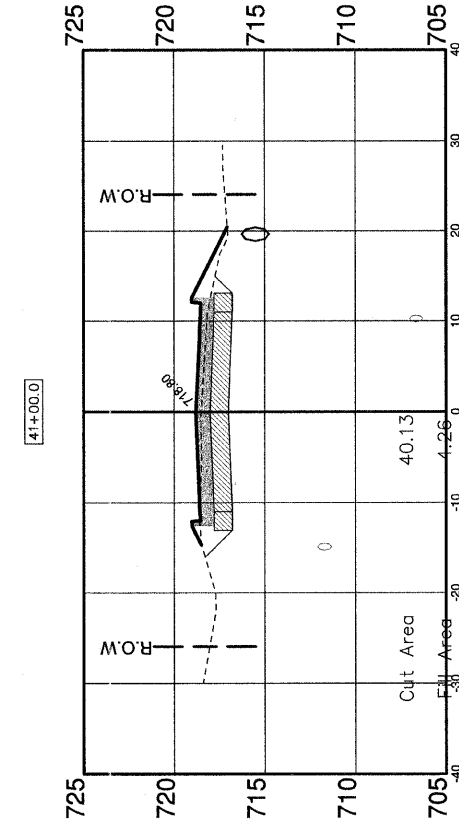
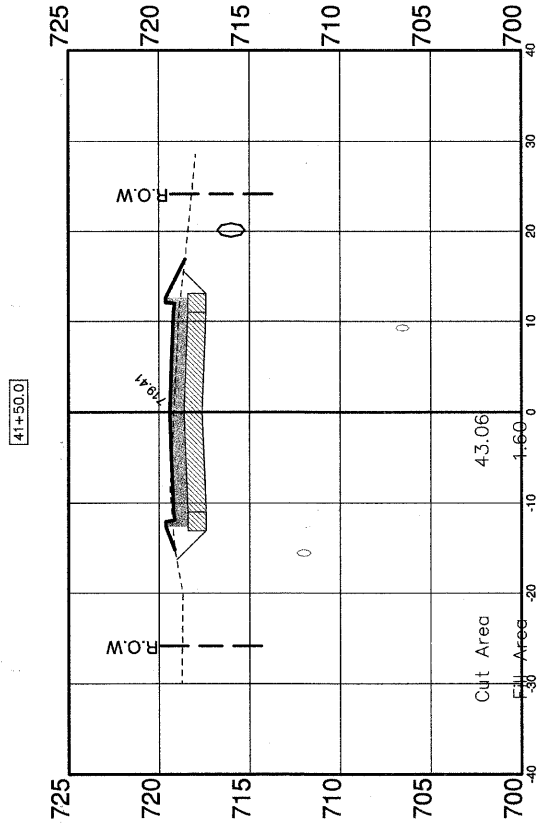
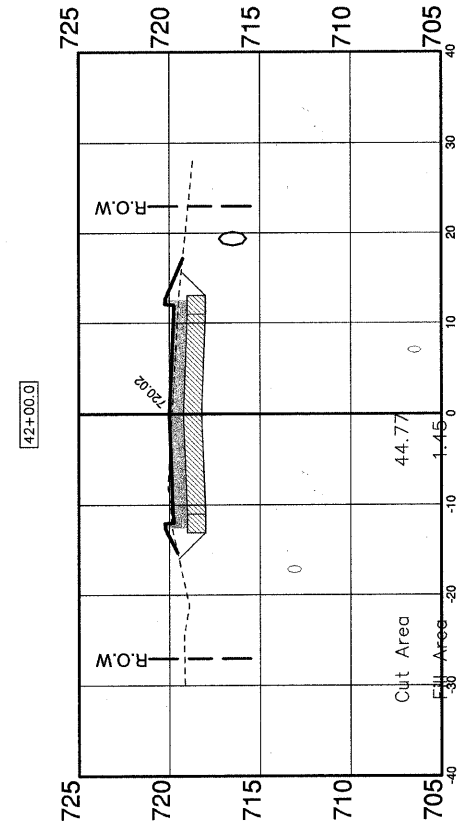


DESIGNED:	SURVEYED:	BY:	DATE:
DRAWN:	PLOTTED:		
CHECKED:	TEMPLATE:		
NO.:	DATE:		

DESIGNED:	SURVEYED:	BY:	DATE:
DRAWN:	PLOTTED:		
CHECKED:	TEMPLATE:		
NO.:	DATE:		



NOTE: CROSS SECTIONS SHOWN ARE LOOKING SOUTH.

FILE NAME: xxx

GERALD L. HEINZ & ASSOCIATES, INC.  
CONSULTING ENGINEERS & LAND SURVEYORS  
206 NORTH RIVER STREET  
EAST DUNDEE, ILLINOIS 60118

USER NAME:  
DESIGNED: EBW  
DRAWN: PC  
CHECKED: JDH  
DATE: AUGUST 25, 2010

REVISD: MARCH 23, 2011  
REVISD: MAY 16, 2011  
REVISD:  
REVISD:

STATE OF ILLINOIS  
DEPARTMENT OF TRANSPORTATION

CROSS SECTIONS

SCALE: 1" = 10'  
SHEET NO. 12 OF 16 SHEETS  
STA: 37+50 TO STA: 42+00

FAU ROUTE	SECTION	COUNTY	TOTAL SHEETS	SHEET NO.
2528	04-00043-00-PV	KANE	85	81
CONTRACT NO. 63507				
FED. ROAD DIST. NO.	ILLINOIS	FED. AID. PROJECT		