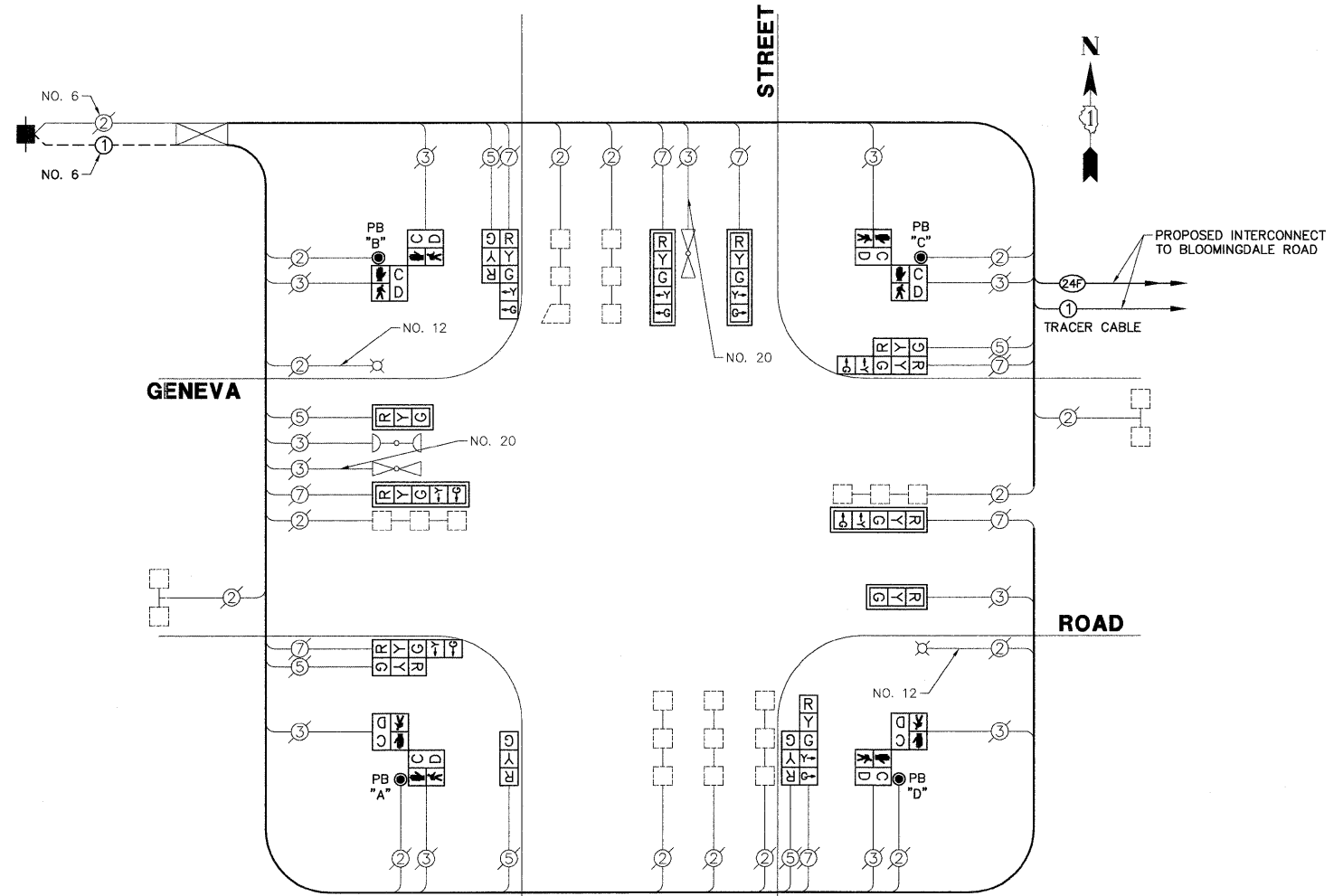


SCHEDULE OF QUANTITIES
GENEVA ROAD AT PRESIDENT STREET

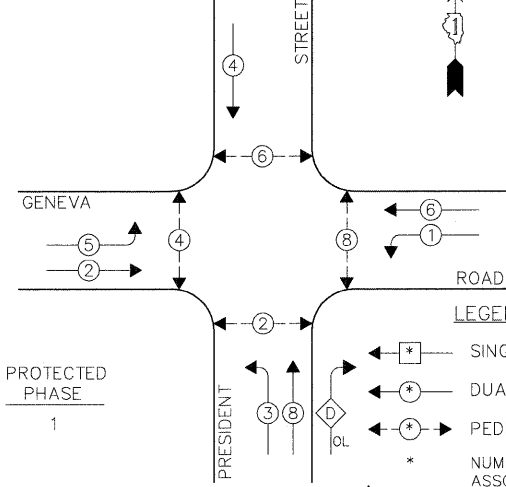
NO.	QUANT.	UNIT	DESCRIPTION
1.	3	CU YD	EARTH EXCAVATION
2.	895	SQ FT	PORTLAND CEMENT CONCRETE SIDEWALK 5 INCH
3.	96	SQ FT	DETECTABLE WARNINGS
4.	135	FOOT	COMBINATION CURB AND GUTTER REMOVAL
5.	840	SQ FT	SIDEWALK REMOVAL
6.	115	FOOT	COMBINATION CONCRETE CURB AND GUTTER, TYPE B-6.12
7.	20	FOOT	COMBINATION CONCRETE CURB AND GUTTER, TYPE B-6.24
8.	150	FOOT	THERMOPLASTIC PAVEMENT MARKING - LINE 6"
9.	1	EACH	SERVICE INSTALLATION - POLE MOUNTED
10.	1	EACH	MAINTENANCE OF EXISTING TRAFFIC SIGNAL INSTALLATION
11.	1	EACH	TRANSCIVER - FIBER OPTIC
12.	18	FOOT	ELECTRIC CABLE IN CONDUIT, EQUIPMENT GROUNDING CONDUCTOR, NO. 6 1/C
13.	2	EACH	TRAFFIC SIGNAL POST, GALVANIZED STEEL 16 FT.
14.	2	EACH	SIGNAL HEAD, LED, 1-FACE, 3-SECTION, MAST-ARM MOUNTED
15.	1	EACH	SIGNAL HEAD, LED, 1-FACE, 3-SECTION, BRACKET MOUNTED
16.	4	EACH	SIGNAL HEAD, LED, 1-FACE, 5-SECTION, MAST-ARM MOUNTED
17.	4	EACH	SIGNAL HEAD, LED, 2-FACE, 1-3 SECTION, 1-5 SECTION, BRACKET MOUNTED
18.	4	EACH	PEDESTRIAN SIGNAL HEAD, LED, 2-FACE, BRACKET MOUNTED WITH COUNTDOWN TIMER
19.	6	EACH	TRAFFIC SIGNAL BACKPLATE, LOUVERED, ALUMINUM
20.	4	EACH	PEDESTRIAN PUSH-BUTTON
21.	1	EACH	REMOVE EXISTING TRAFFIC SIGNAL EQUIPMENT
22.	1	EACH	REMOVE EXISTING SERVICE INSTALLATION



CABLE PLAN

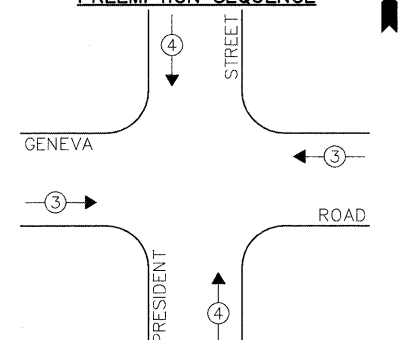
NOTE:
 PUSH BUTTON "A" SHALL PLACE A CALL IN PHASES 2 AND 4.
 PUSH BUTTON "B" SHALL PLACE A CALL IN PHASES 4 AND 6.
 PUSH BUTTON "C" SHALL PLACE A CALL IN PHASES 6 AND 8.
 PUSH BUTTON "D" SHALL PLACE A CALL IN PHASES 2 AND 8.

EXISTING CONTROLLER SEQUENCE



EXISTING PHASE DESIGNATION DIAGRAM

EXISTING EMERGENCY VEHICLE PREEMPTION SEQUENCE



EXISTING EMERGENCY VEHICLE PREEMPTORS	
EMERGENCY VEHICLE PREEMPTOR	3 4
MOVEMENT	← → ↑ ↓

I.D.O.T. TRAFFIC SIGNAL INSTALLATION ELECTRICAL SERVICE REQUIREMENTS					TOTAL WATTAGE
TYPE	NO. LAMPS	INCAND.	L.E.D.	% OPERATION	
SIGNAL (RED)	15	135	17	0.50	127.5
SIGNAL (YELLOW)	15	135	25	0.25	93.75
SIGNAL (GREEN)	15	135	15	0.25	56.25
ARROW	16	135	12	0.10	19.2
PED. SIGNAL	8	90	25	1.00	200.0
CONTROLLER	1	-	100	1.00	100.0
LUMINAIRE	2	250	-	0.50	250.0
L.E.D. ST. NAME SIGN	-	-	64	0.50	-
VIDEO SYSTEM	-	-	150	1.00	-
BATTERY BACKUP	-	-	25	1.00	-
ILLUMINATED SIGN	-	-	25	0.05	-
TOTAL =					846.7

ENERGY COSTS - BILLED TO: CITY OF WHEATON
 (ADDRESS) 303 WEST WESLEY ST.
 (ADDRESS) WHEATON, IL 60187
 ENERGY SUPPLY - CONTACT: MS. DEB RANKIN
 PHONE: (630) 691-4379
 COMPANY: COM-ED

THE TRAFFIC SIGNAL CONTROL EQUIPMENT FOR THIS PROJECT SHALL BE "ECONOLITE" TO MATCH THE EXISTING ADJACENT SYSTEM.