

Qty: Provide 2 identical structures

**F1 Elevation**

SCALE: 3/4"=1'-0"

**L.E.D. LIGHTING SYSTEM**  
(Custom etched glass globes not by Traxon)

MODEL: Traxon Spot XB Series (Or Engineer Approved Equal)

LIGHT SOURCE: 3 High Intensity power LEDs

COLOR RESOLUTION: 3x8-bit (RGB) per pixel

COLOR OPTIONS: RGB

BEAM ANGLE: 6°, 15°, 25°

COVER LENS: Wicons Round Globe, Size TBD

HOUSING: Aluminum Extrusion

ADJUST. OPTIONS: MR16 Mounting

SIZE: 2.70" (Height); 1.97" (Diameter)

SAFETY APPROVAL: CE

OPERATING TEMP.: -4°F to 104°F

RATING: Outdoor

HUMIDITY: 0 to 85%

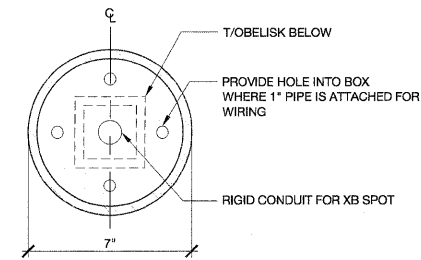
CONSTANT CURRENT: 350mA, 700mA DC

POWER CONSUMPTION: 3.4W/3.7W (1W), 3.4W/4.7W (K2-350mA), 7.6W/9W (K2-700mA)

POWER/DATA INTERFACE: TX CONNECT

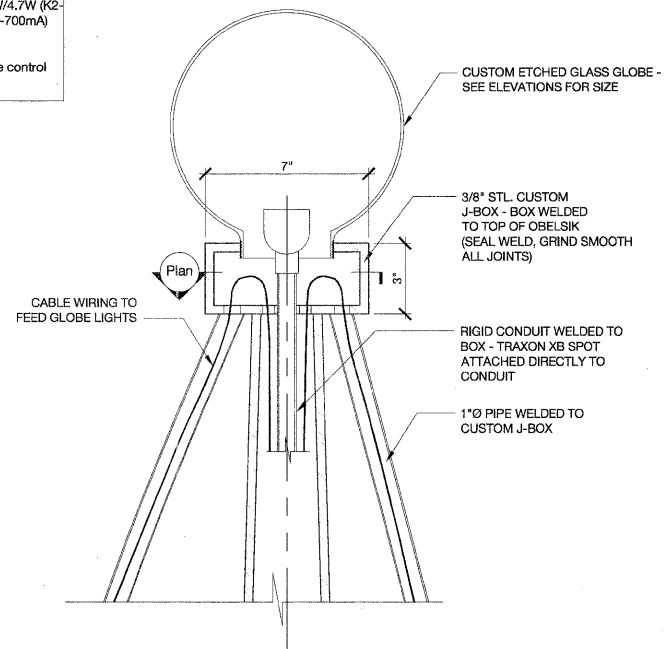
CONTROL: DMX512 or standalone control

POWER SUPPLY: LED Engine XB-SD



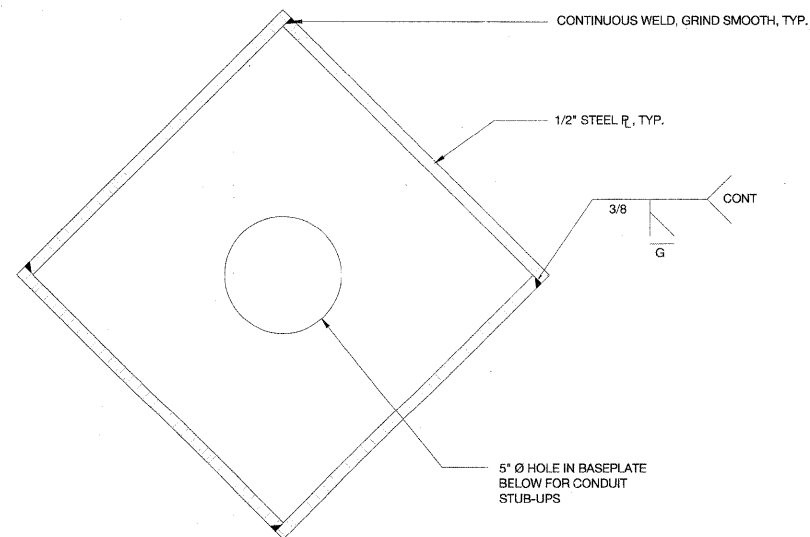
**C4 Plan Detail**

SCALE: 3"=1'-0"



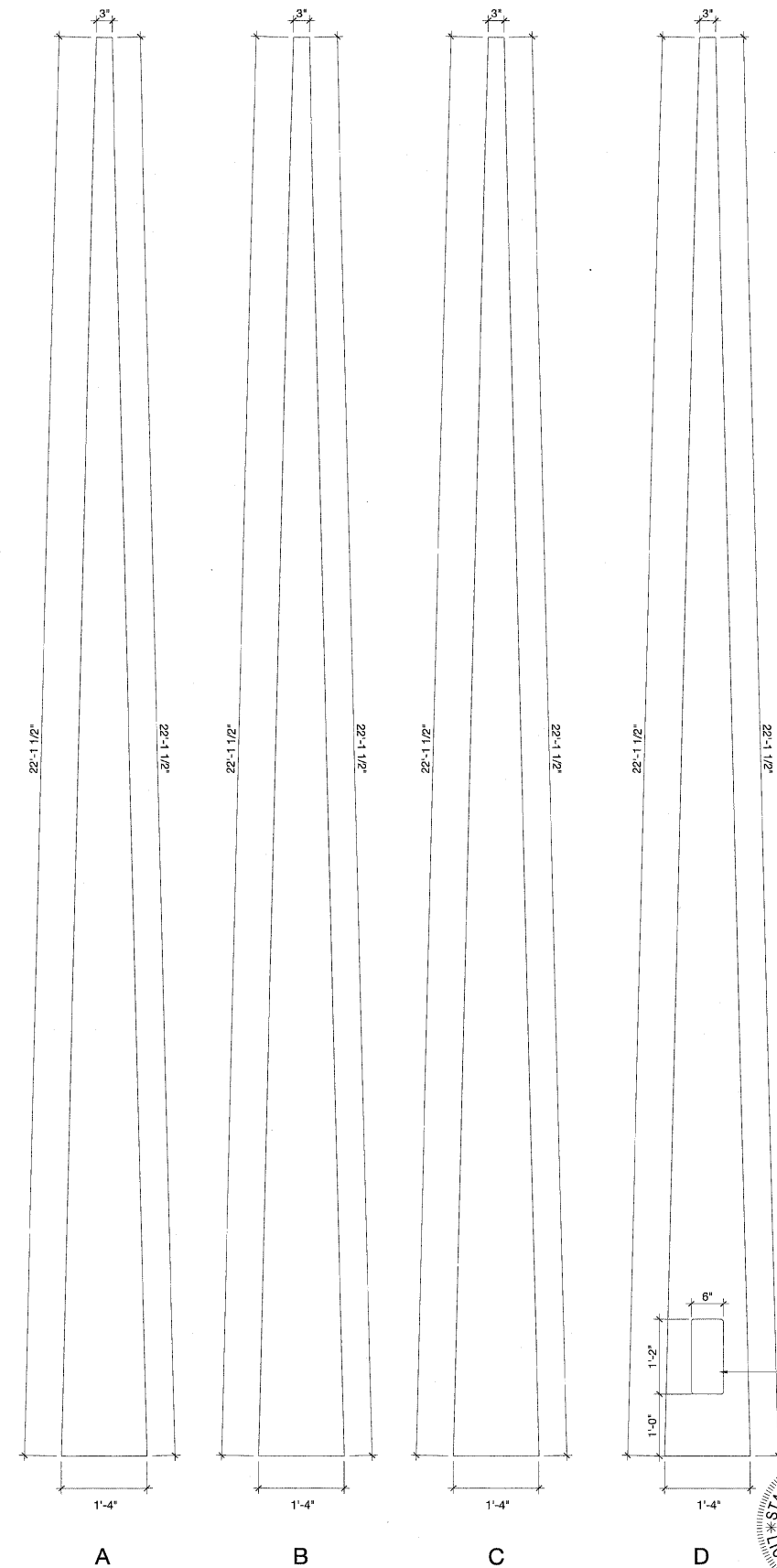
**D4 Section Detail**

SCALE: 3"=1'-0"



**B4 Typical Section**

SCALE: 3"=1'-0"



**F6 Elevations Each Side**

SCALE: 3/4"=1'-0"



*James A. Gorski*  
11.10.11

Drawing file: C:\Users\Corrali\Family\Desktop\Acad\Photos-REVISED.dwg Feb 03, 2012 - 12:04pm



**WOLFF LANDSCAPE ARCHITECTURE**  
EDWARD WINDHORST, JAMES GORSKI ARCHITECTS  
GOODFRIEND MAGRUDER STRUCTURE

DESIGNED - EW	REVISED -
DRAWN - JG	REVISED -
CHECKED - JG	REVISED -
DATE - 02/06/12	REVISED -

**STATE OF ILLINOIS**  
**DEPARTMENT OF TRANSPORTATION**

**Medium Steel Obelisk**

SCALE: SHEET NO. OF SHEETS STA. TO STA.

F.A.U. RTE. 1026	SECTION 10-00116-00-SW	COUNTY COOK	TOTAL SHEETS -	SHEET NO. 23
FED. ROAD DIST. NO. 1 ILLINOIS		CONTRACT NO. ---		
FED. AID PROJECT		EHE PROJECT NO. 600-11-04602		