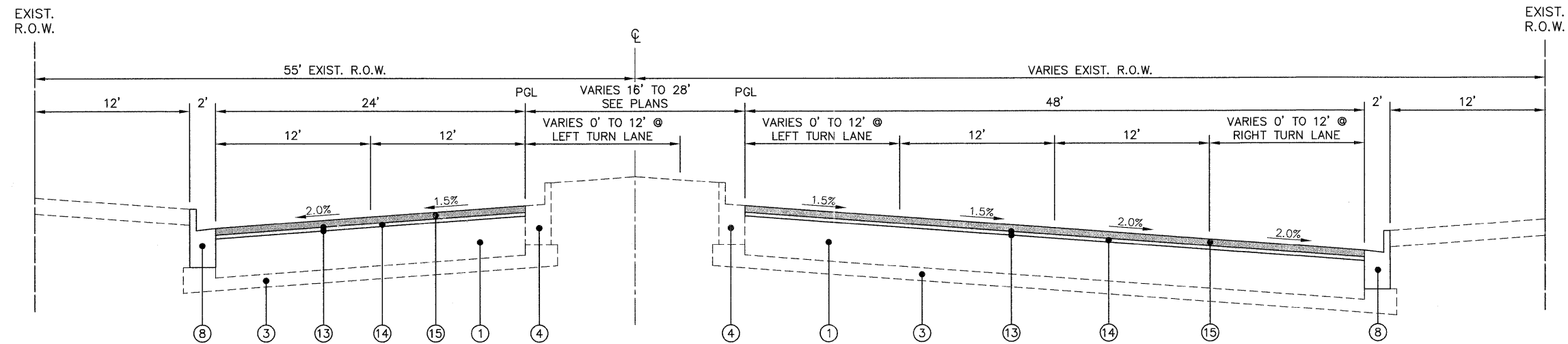


EXISTING TYPICAL SECTION
STA 76+87 TO STA 98+68, KIMBALL STREET
 N.T.S.



PROPOSED TYPICAL SECTION
STA 76+87 TO STA 98+68, KIMBALL STREET
 N.T.S.

LEGEND

- | | |
|---|--|
| ① EXISTING 16" ASPHALT PAVEMENT | ⑨ SIDEWALK REMOVAL AND PCC SIDEWALK, 5" (AT VARIOUS LOCATIONS) |
| ② EXISTING 7" PORTLAND CEMENT CONCRETE BASE | ⑩ HOT-MIX ASPHALT SURFACE REMOVAL (DECK) |
| ③ EXISTING 4" SUB-BASE GRANULAR MATERIAL, TYPE B | ⑪ WATERPROOFING MEMBRANE SYSTEM |
| ④ EXISTING B-6.18 COMBINATION CONCRETE CURB AND GUTTER | ⑫ HOT-MIX ASPHALT SURFACE REMOVAL, 2.75" |
| ⑤ EXISTING PORTLAND CEMENT CONCRETE SIDEWALK, 5" OR BRICK PAVER | ⑬ BITUMINOUS MATERIALS (PRIME COAT) AND AGGREGATE (PRIME COAT) |
| ⑥ EXISTING 21"x48" PPC DECK BEAMS | ⑭ POLYMERIZED LEVELING BINDER (MACHINE METHOD), IL-4.75, N50, 1" |
| ⑦ EXISTING 2" ASPHALT WEARING SURFACE | ⑮ HOT-MIX ASPHALT SURFACE COURSE, MIX "D", N70, 1.75" |
| ⑧ COMBINATION CONCRETE CURB AND GUTTER REMOVAL AND REPLACEMENT (AT VARIOUS LOCATIONS) | ⑯ BRIDGE DECK WEARING SURFACE |

Plotter: January 19, 2012 @ 4:11 PM By: Josh Beaman - Tab: 07 Section - 22x34
 COPYRIGHT © 2012 ENGINEERING ENTERPRISES, INC.

USER NAME =	DESIGNED -	REVISED -
PLOT SCALE =	DRAWN -	REVISED -
PLOT DATE =	CHECKED -	REVISED -
	DATE -	REVISED -

STATE OF ILLINOIS
DEPARTMENT OF TRANSPORTATION

TYPICAL SECTIONS

SCALE: NONE SHEET NO. 4 OF 4 SHEETS STA. N/A TO STA. N/A

F.A.J. RTE. 1314	SECTION 11-00182-00-RS	COUNTY KANE	TOTAL SHEETS 25	SHEET NO. 7
CONTRACT NO. 63689				
FED. ROAD DIST. NO. 1 [ILLINOIS] FED. AID PROJECT NO. M-9003(847)				

P:\FH\11-00182-00-RS\DWG\FINAL\ENG\1005-CVR