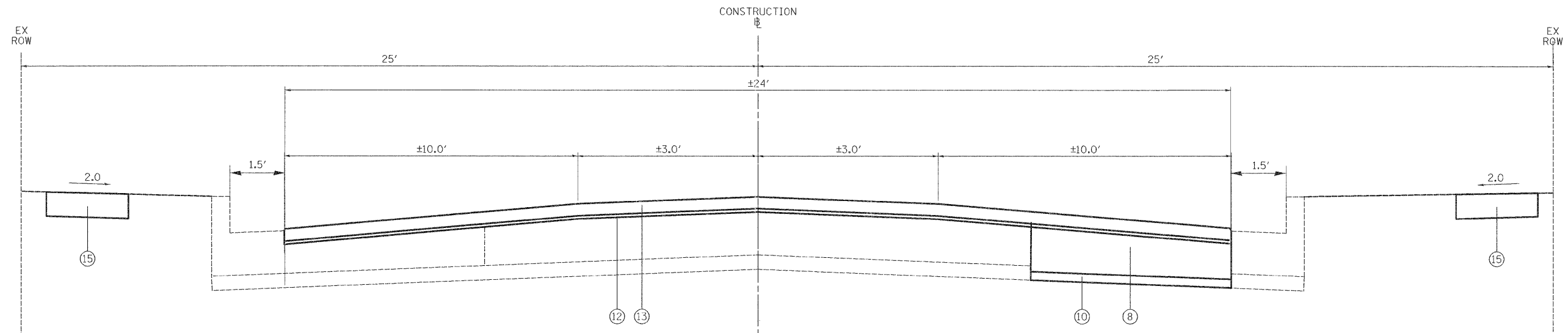



LAKE STREET - EXISTING TYPICAL SECTION  
STA. 400+66 TO STA. 413+06



LAKE STREET - PROPOSED TYPICAL SECTION  
STA. 400+66 TO STA. 413+06

LEGEND

- |   |   |
|---|---|
| ① EXISTING P.C.C. PAVEMENT, 7"  | ⑨ REMOVAL AND DISPOSAL OF UNSUITABLE MATERIAL (20201200)  |
| ② EXISTING GRANULAR SUB-BASE  | ⑩ POROUS GRANULAR EMBANKMENT, SUBGRADE (Z0042002)   |
| ③ EXISTING MONOLITHIC 6" BARRIER CURB   | ⑪ #6 EPOXY COATED TIE BARS, 24" LONG @ 24" C-C, DRILLED & GROUTED IN PLACE INCLUDED IN THE COST OF COMBINATION CONCRETE CURB AND GUTTER, TYPE B-6.18 (60604400) |
| ④ PORTLAND CEMENT CONCRETE SURFACE REMOVAL (VARIABLE DEPTH) (X4400100)  | ⑫ 1" POLYMERIZED LEVELING BINDER (MACHINE METHOD), IL-4.75, N50 (40600827)  |
| ⑤ HOT-MIX ASPHALT SURFACE REMOVAL, 2 1/2" (44000159)  | ⑬ 1 1/2" HOT-MIX ASPHALT SURFACE COURSE, MIX "D", N50 (40603335)  |
| ⑥ COMBINATION CURB AND GUTTER REMOVAL (44000500)<br>COMBINATION CONCRETE CURB AND GUTTER, TYPE B-6.18 (60604400)<br>(AT LOCATIONS SHOWN ON PLANS AND AS DIRECTED BY THE ENGINEER) | ⑭ EXISTING SIDEWALK, 4"   |
| ⑦ SAW CUTS (44213200) (2 1/4" AT PCC SURFACE REMOVAL)   | ⑮ PORTLAND CEMENT CONCRETE SIDEWALK, 4"   |
| ⑧ CLASS C PATCH, TYPE 1, 7 INCH (44201313)<br>OR CLASS D PATCH, 9 INCH (44201749, 44201753, 44201757, 44201759)<br>(SEE PLAN SHEETS FOR LOCATION AND TYPES)                       |  REMOVAL   |

NOTES:

LOCATIONS AND DEPTH OF REMOVAL AND DISPOSAL OF UNSUITABLE MATERIAL WILL BE DETERMINED BY THE ENGINEER AS FIELD CONDITIONS REQUIRE.  
CONTRACTOR SHALL MILL HMA SURFACE BEFORE PATCHING.