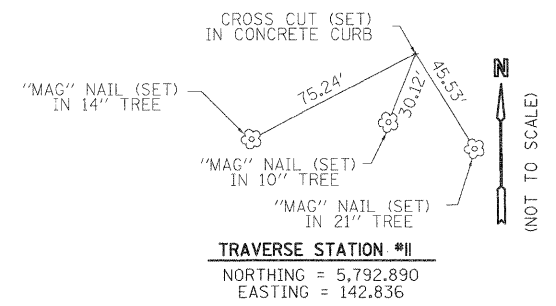
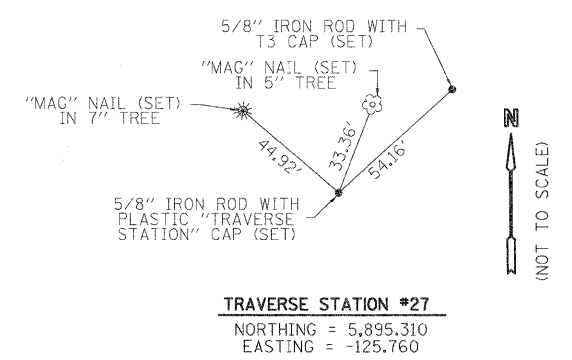
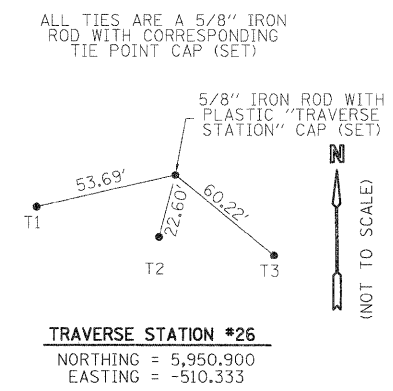
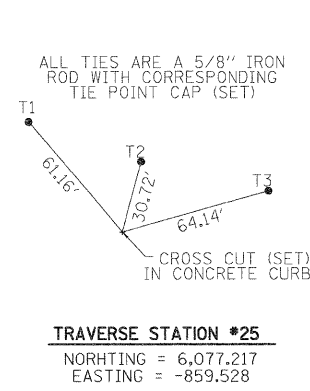


LAKE STREET



FILE NAME =	USER NAME = eds	DESIGNED - EDS	REVISED -	STATE OF ILLINOIS DEPARTMENT OF TRANSPORTATION	ALIGNMENT, TIES, BENCHMARKS AND ROW	F.A.U. RTE.	SECTION	COUNTY	TOTAL SHEETS	SHEET NO.	
... \Cad\sheet\2253_sht.dgn	PLOT SCALE = 50.0000' / 1" =	DRAWN - EDS	REVISED -			1236	08-00100-00-PV	LAKE	35	9	
CIVILTECH	PLOT DATE = 2/2/2012	CHECKED - DNM	REVISED -			CONTRACT NO. 63697					
		DATE - 02/06/12	REVISED -			FED. ROAD DIST. NO. 7 ILLINOIS FED. AID PROJECT					