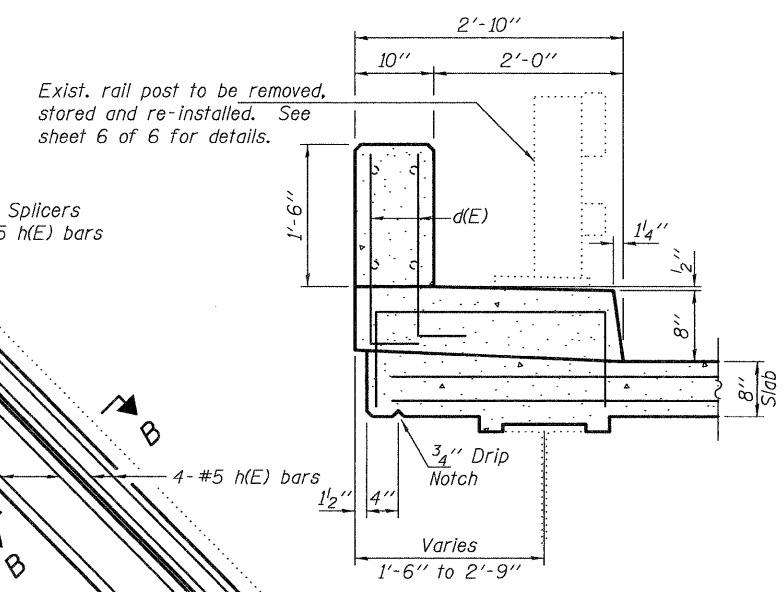


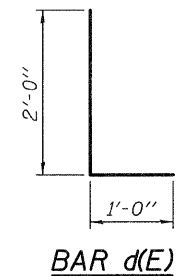
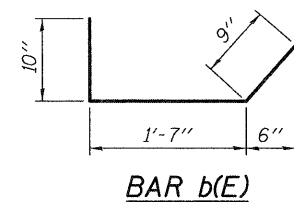
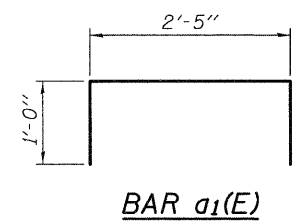
**SECTION B-B**  
(Near  $\phi$  Roadway)  
(Dims at RT L's to end of deck)



**SECTION THRU PARAPET**

**CONCRETE REPLACEMENT PLAN**

SN: 101-0035 (NB) shown,  
SN: 101-0036 (SB) similar by 180° rotation.



**BILL OF MATERIAL**

Bar	No.	Size	Length	Shape
a(E)	64	#6	24'-8"	—
a <sub>1</sub> (E)	28	#5	4'-5"	┌
b(E)	144	#5	3'-2"	└
d(E)	64	#5	3'-0"	L
h(E)	32	#5	24'-8"	—
Concrete Removal			Cu. Yd.	29
Concrete Superstructure			Cu. Yd.	29
Reinforcement Bars, Epoxy Coated			Pound	4010