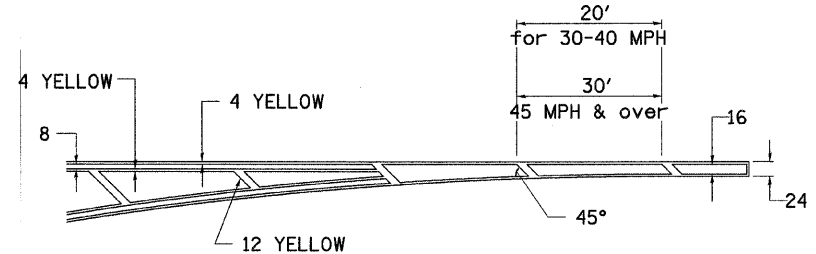
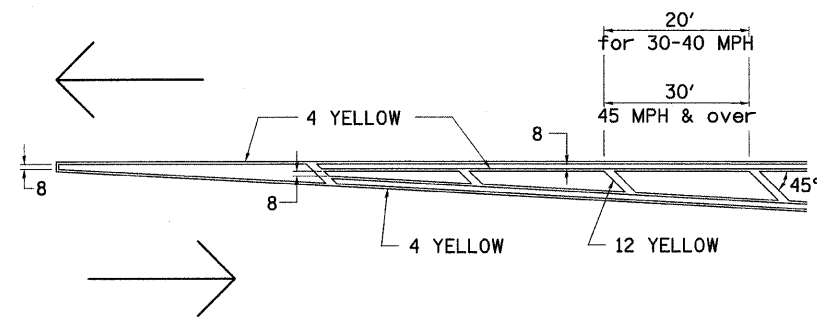
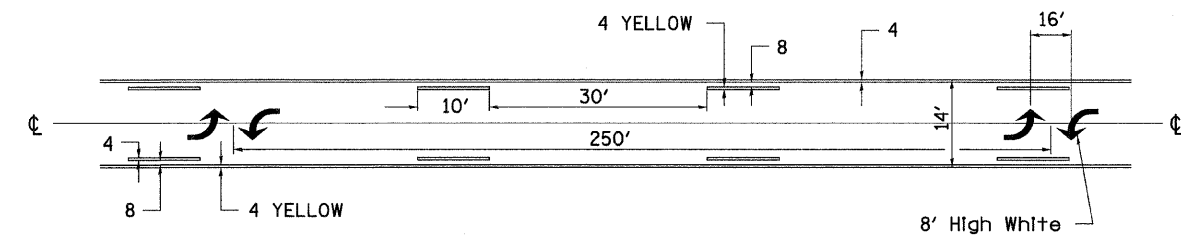


TYPICAL PAVEMENT MARKINGS

TYPICAL PAVEMENT MARKING FOR FLUSH MEDIAN AT LEFT TURN LANE

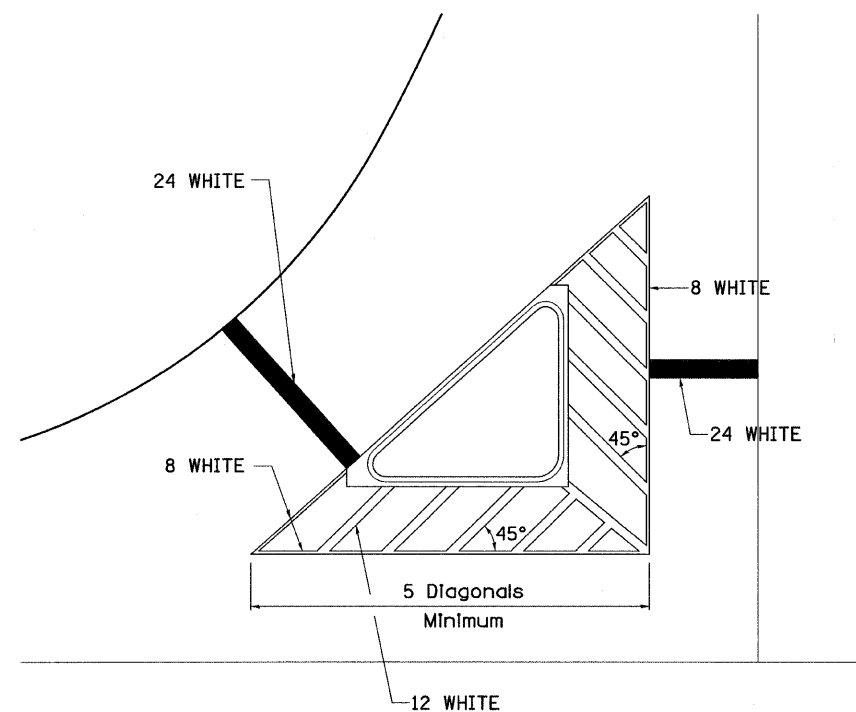


MEDIAN PAVEMENT MARKING

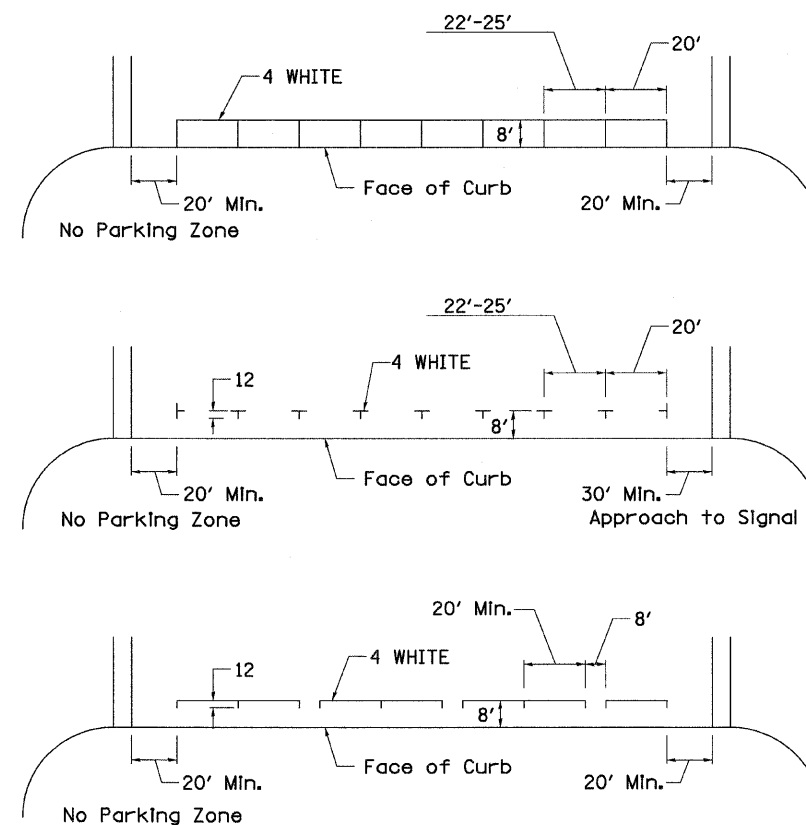


** ALL DIMENSIONS ARE IN INCHES UNLESS OTHERWISE NOTED.

TYPICAL ISLAND OFFSET SHOULDER WIDTH

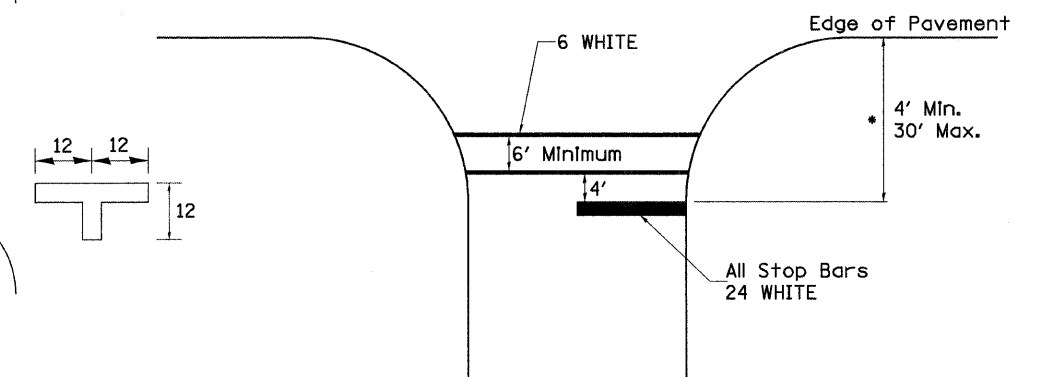


TYPICAL PARKING SPACING



STANDARD CROSSWALK MARKING

See Schedules for Locations



* Distance to the nearest edge of the intersecting roadway in the absence of a marked crosswalk.

FILE NAME =	USER NAME = IDOT	DESIGNED -	REVISED - 10-18-11
11\182706_n kinnikinnick creek\oadd sheet	D264H22-sht-STD41.dgn	DRAWN -	REVISED -
	PLOT SCALE = 50,0000' / IN.	CHECKED -	REVISED -
	PLOT DATE = 1/24/2012	DATE -	REVISED -

STATE OF ILLINOIS
DEPARTMENT OF TRANSPORTATION

REGION 2 / DISTRICT 2 STANDARD

SCALE: SHEET NO. OF SHEETS STA. TO STA.

F.A.P. RTE. 738	SECTION (5B-1)M-1	COUNTY WINNEBAGO	TOTAL SHEETS 24	SHEET NO. 21
CONTRACT NO. 64H22				
FED. ROAD DIST. NO. 1 (ILLINOIS) FED. AID PROJECT				