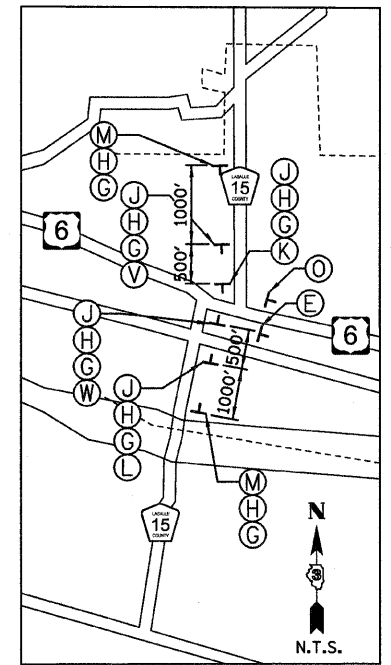
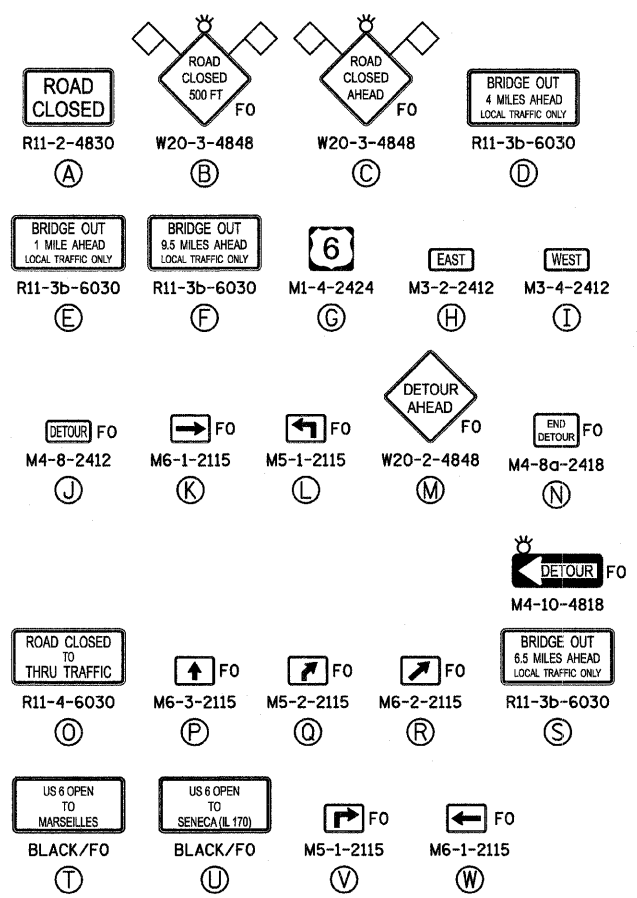


DETOUR MAP  
 \*PLACE SIGN ADJACENT TO EAST/WEST I-80 MARKER.

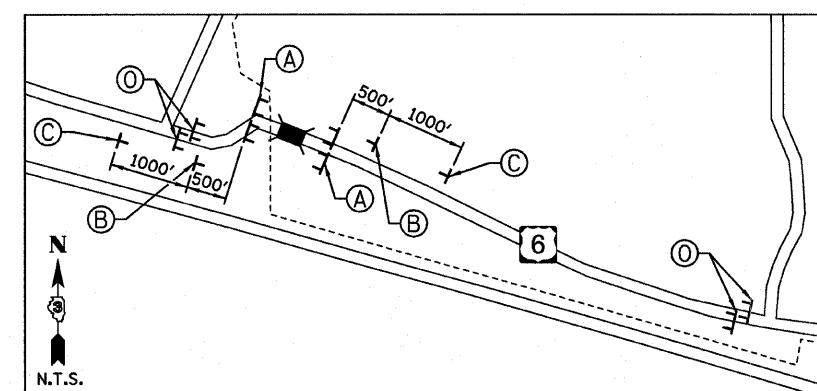


U.S. RTE 6 & C.H. 15 INTERSECTIONS  
 (DETAIL "A")

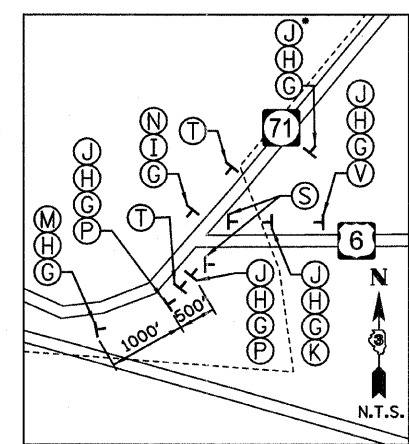
NOTES:

- 1.) ALL TRAFFIC CONTROL DEVICES SHALL BE FURNISHED, ERECTED AND MAINTAINED BY THE CONTRACTOR.
- 2.) ALL SIGNS NOT ATTACHED TO BARRICADES SHALL BE POST MOUNTED, UNLESS OTHERWISE NOTED.
- 3.) LOCATIONS OF TRAFFIC CONTROL DEVICES MAY BE ADJUSTED BY THE ENGINEER.
- 4.) WORK SHALL BE DONE IN ACCORDANCE WITH BLR 21, EXCEPT THAT ALL WARNING SIGNS SHALL BE 48"x48".
- 5.) TRAFFIC CONTROL SHALL BE IN ACCORDANCE WITH THE STANDARD SPECIFICATIONS FOR ROAD AND BRIDGE CONSTRUCTION, THE MANUAL FOR UNIFORM TRAFFIC CONTROL DEVICES, THE HIGHWAY STANDARDS AND SPECIAL PROVISIONS.
- 6.) COVER ANY SIGNS DENOTING WEST US ROUTE 6 WITHIN A MILE RADIUS OF THE INTERSECTION BETWEEN INTERSTATE 80 AND US ROUTE 6. COVER ANY SIGNS DENOTING EAST US ROUTE 6 WITHIN A MILE RADIUS OF THE INTERCHANGE BETWEEN IL ROUTE 71 AND US ROUTE 6.

- LEGEND
- TT TYPE III BARRICADES CONFORMING TO STD. 701901 "ROAD CLOSED TO ALL TRAFFIC" WITH 2 FLASHING LIGHTS PER BARRICADE
  - TT TYPE III BARRICADES CONFORMING TO STD. 701901 "ROAD CLOSED TO THRU TRAFFIC" WITH 2 FLASHING LIGHTS PER BARRICADE
  - ⊥ SIGNS ON PERMANENT SUPPORTS
  - ⚡ FLASHING LIGHT ABOVE SIGN
  - ◊ 18"x18" ORANGE FLAG ABOVE SIGN
  - ▨ DETOUR ROUTE
  - FO FLORESCENT ORANGE

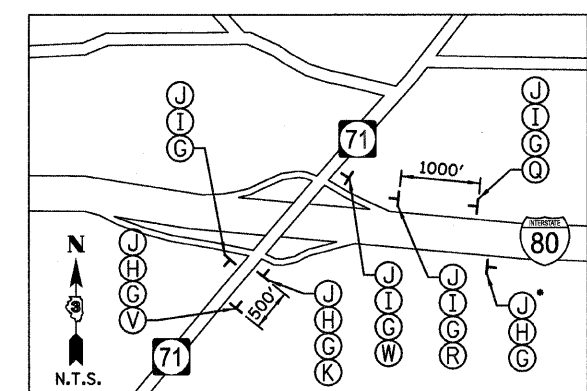


PROJECT LOCATION VICINITY  
 (DETAIL "B")



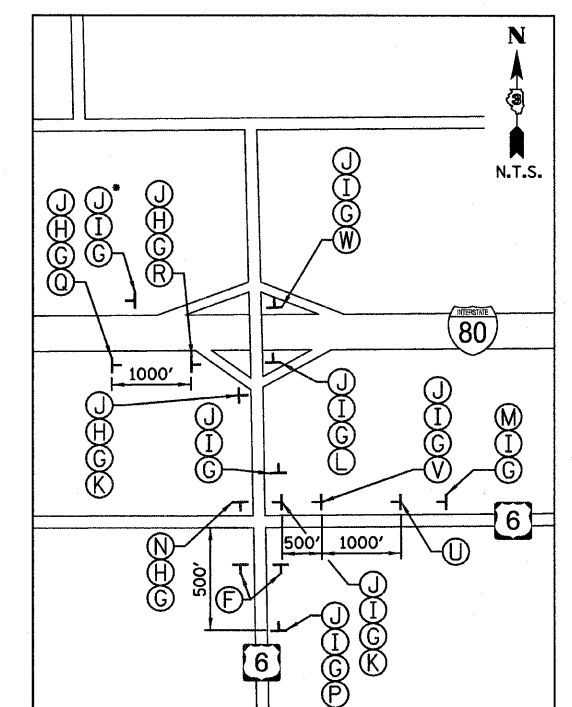
U.S. RTE. 6 & IL. RTE. 71 INTERSECTION  
 (DETAIL "C")

\*PLACES SIGN ADJACENT TO EAST IL-71 MARKER



I-80 & IL. RTE. 71 INTERCHANGE - EXIT 93  
 (DETAIL "D")

\*PLACE SIGNS ADJACENT TO EAST I-80 MARKER



I-80 & U.S. RTE. 6 INTERCHANGE - EXIT 105  
 (DETAIL "E")

\*PLACE SIGNS ADJACENT TO WEST I-80 MARKER

FILE NAME = #FILE#	USER NAME = #USER#	DESIGNED - JML	REVISED -	<b>STATE OF ILLINOIS DEPARTMENT OF TRANSPORTATION</b>	<b>DETOUR PLAN</b>			F.A.P. RTE. 623	SECTION (G-1) BR-2	COUNTY LASALLE	TOTAL SHEETS 48	SHEET NO. 13
	PLOT SCALE = #SCALE#	CHECKED - MSW	REVISED -		SCALE:	SHEET NO. OF SHEETS STA.	TO STA.	CONTRACT NO. 66972				
	PLOT DATE = #DATE#	DATE - 11/07/11	REVISED -		FED. ROAD DIST. NO. [ILLINOIS] FED. AID PROJECT							
FARNSWORTH GROUP, INC. CONSULTING ENGINEERS - 2709 MCGRAW DRIVE BLOOMINGTON, ILLINOIS 61704 (309) 663-8435 / (309) 663-1571 FAX												
24-8559												