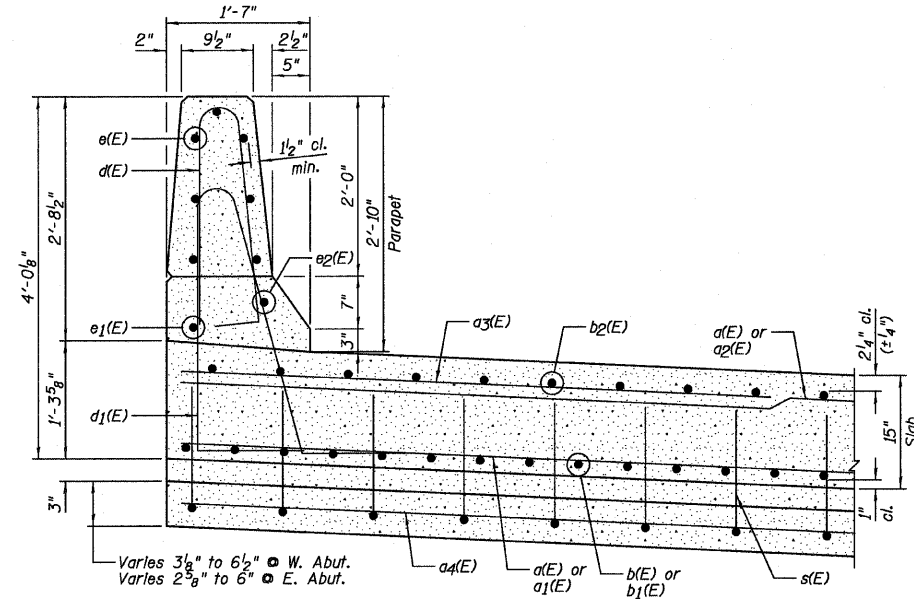
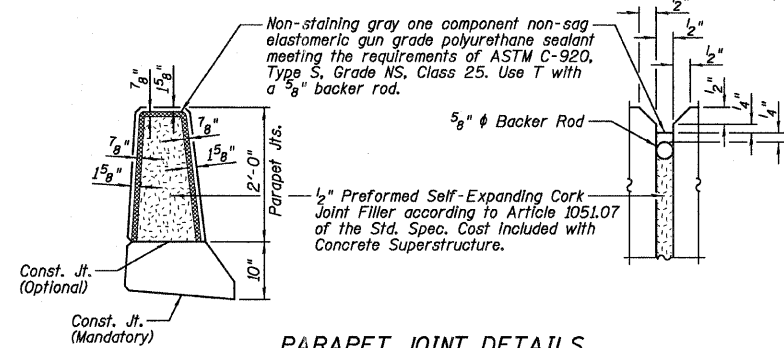


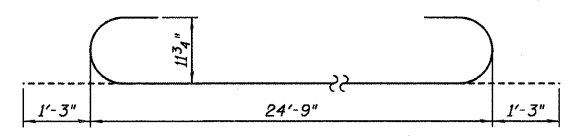
INSIDE ELEVATION OF PARAPET



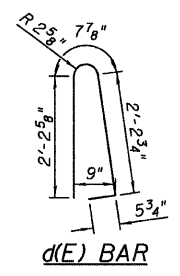
SECTION THRU PARAPET - NEAR ABUTMENT



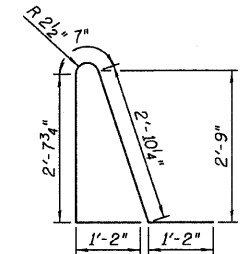
PARAPET JOINT DETAILS



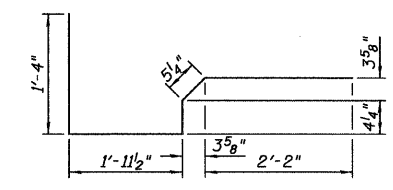
b(E) BAR



d(E) BAR



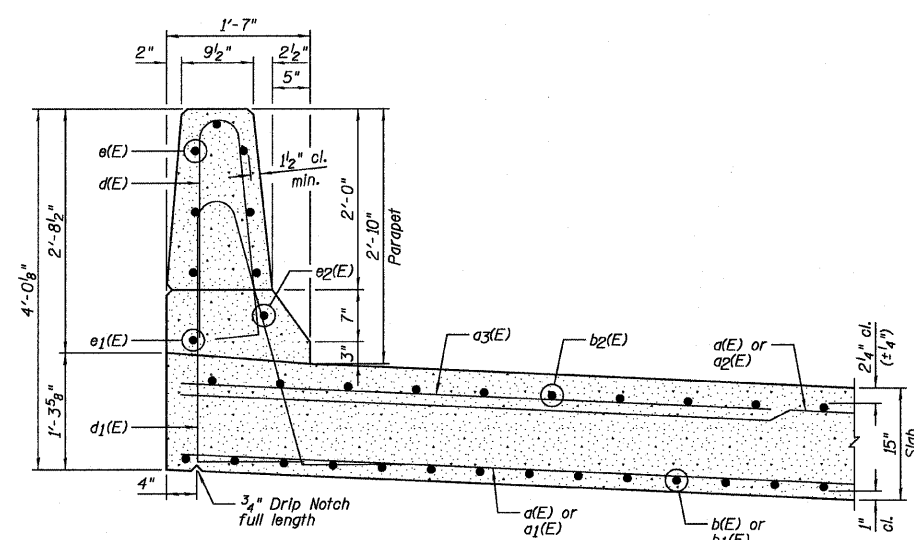
d1(E) BAR



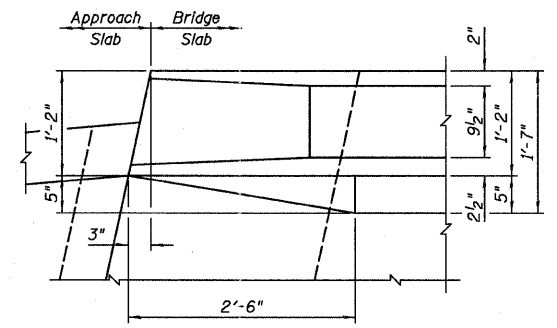
s(E) BAR

SUPERSTRUCTURE BILL OF MATERIAL

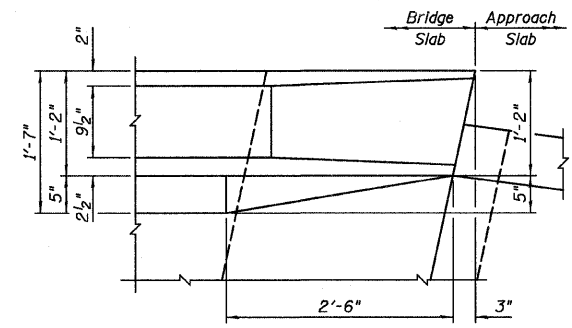
Bar	No.	Size	Length	Shape
a(E)	36	#5	35'-2"	
a1(E)	9	#5	34'-11"	
a2(E)	5	#5	31'-5"	
a3(E)	30	#6	6'-6"	
a4(E)	6	#5	35'-11"	
b(E)	33	#9	27'-3"	
b1(E)	32	#9	24'-9"	
b2(E)	47	#5	24'-9"	
d(E)	56	#5	5'-7"	
d1(E)	56	#5	8'-5"	
e(E)	28	#4	12'-3"	
e1(E)	2	#4	24'-9"	
e2(E)	2	#8	24'-9"	
s(E)	72	#4	6'-3"	
Item	Unit	Quantity		
Concrete Superstructure	Cu. Yd.	50.8		
Reinforcement Bars, Epoxy Coated	Pound	10,810		



SECTION THRU PARAPET - NEAR MIDSPAN

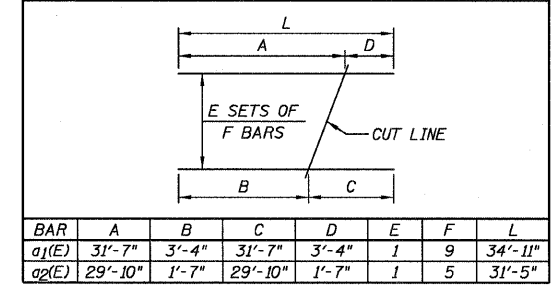


DETAIL A



DETAIL B

BAR CUTTING DIAGRAM



BAR	A	B	C	D	E	F	L
a1(E)	31'-7"	3'-4"	31'-7"	3'-4"	1	9	34'-11"
a2(E)	29'-10"	1'-7"	29'-10"	1'-7"	1	5	31'-5"

NOTES:

- 1.) B.F. Denotes Back Face and F.F. Denotes Front Face.
- 2.) For location of Detail A and Detail B, see Sheet B6.

Farnsworth GROUP, INC.
2709 McGraw Drive
Bloomington, Illinois 61704
309/693-5435, 309/693-1571 fax

DESIGNED - JML
CHECKED - MSW
DRAWN - DJM
DATE - 11/07/11

REVISED
REVISED
REVISED
REVISED

STATE OF ILLINOIS
DEPARTMENT OF TRANSPORTATION

SUPERSTRUCTURE DETAILS
STRUCTURE NO. 050-0184

SHEET NO. B8 OF 20 SHEETS

F.A.P. RTE.	SECTION	COUNTY	TOTAL SHEETS	SHEET NO.
623	(G-1) BR-2	LASALLE	48	24
CONTRACT NO. 66972				
ILLINOIS FED. AID PROJECT				