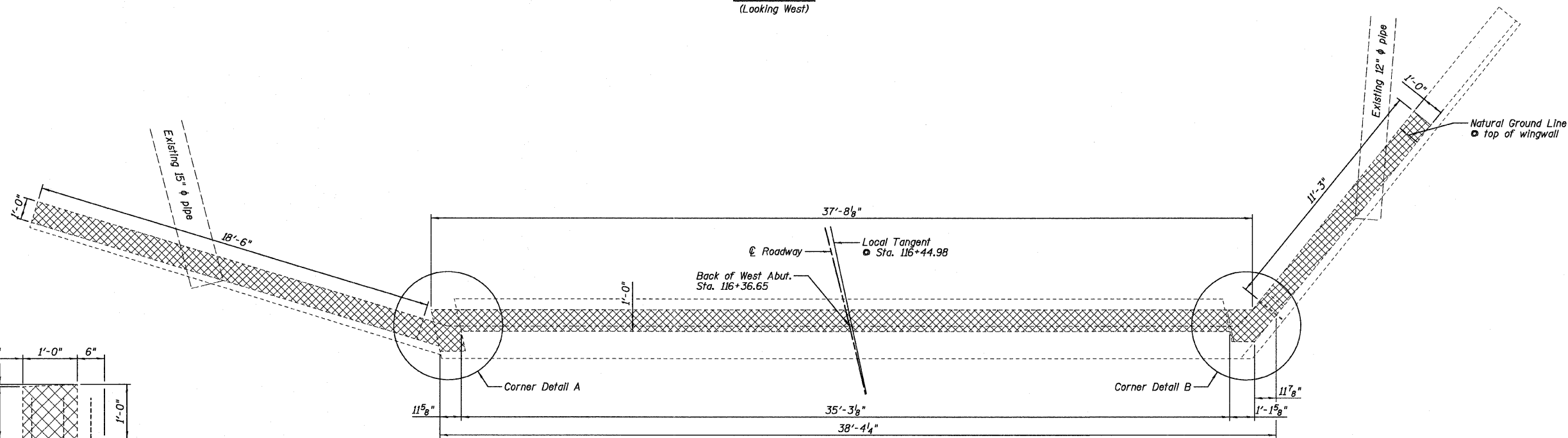
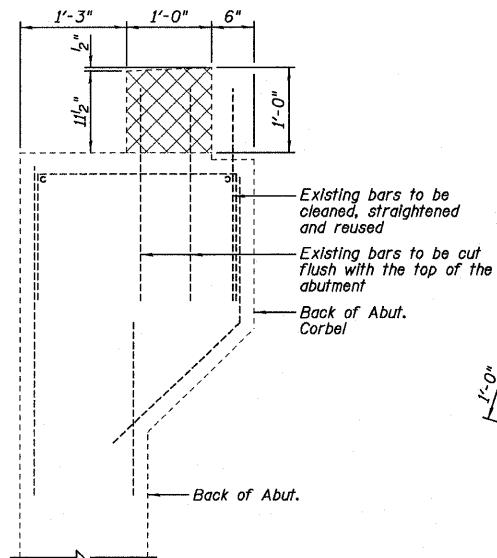


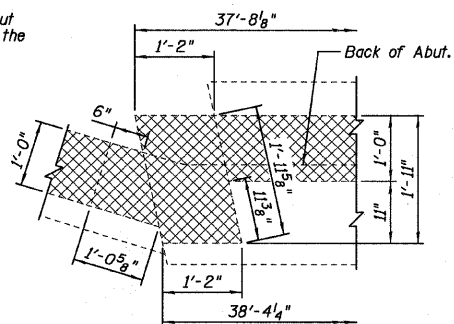
ELEVATION
(Looking West)



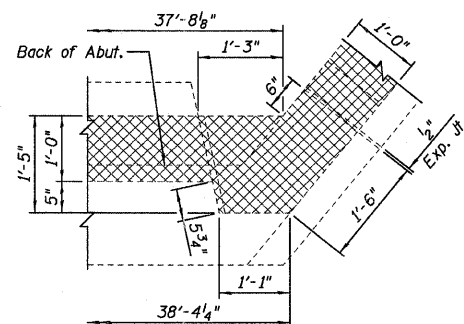
PLAN



SECTION A-A



CORNER DETAIL A



CORNER DETAIL B

LEGEND
 Concrete Removal

BILL OF MATERIAL

Item	Unit	Total
Concrete Removal	Cu. Yd.	2.7

NOTES:

- Existing reinforcement not extended into new concrete shall be cut off flush.
- Existing reinforcement extended into new concrete shall be cleaned, straightened and incorporated into new construction. Cost included with "Concrete Removal".

Farnsworth
GROUP, INC.
2709 McGraw Drive
Soothington, Illinois 61704
309/963-8435, 309/963-1571 fax

DESIGNED - JML
CHECKED - MSW
DRAWN - DJM
CHECKED - MSW
DATE - 11/07/11

REVIS
REVIS
REVIS
REVIS

STATE OF ILLINOIS
DEPARTMENT OF TRANSPORTATION

WEST ABUTMENT REMOVAL
STRUCTURE NO. 050-0184

SHEET NO. B11 OF 20 SHEETS

F.A.P. RTE.	SECTION	COUNTY	TOTAL SHEETS	SHEET NO.
623	(G-1) BR-2	LASALLE	48	27
CONTRACT NO. 66972				
ILLINOIS FED. AID PROJECT				