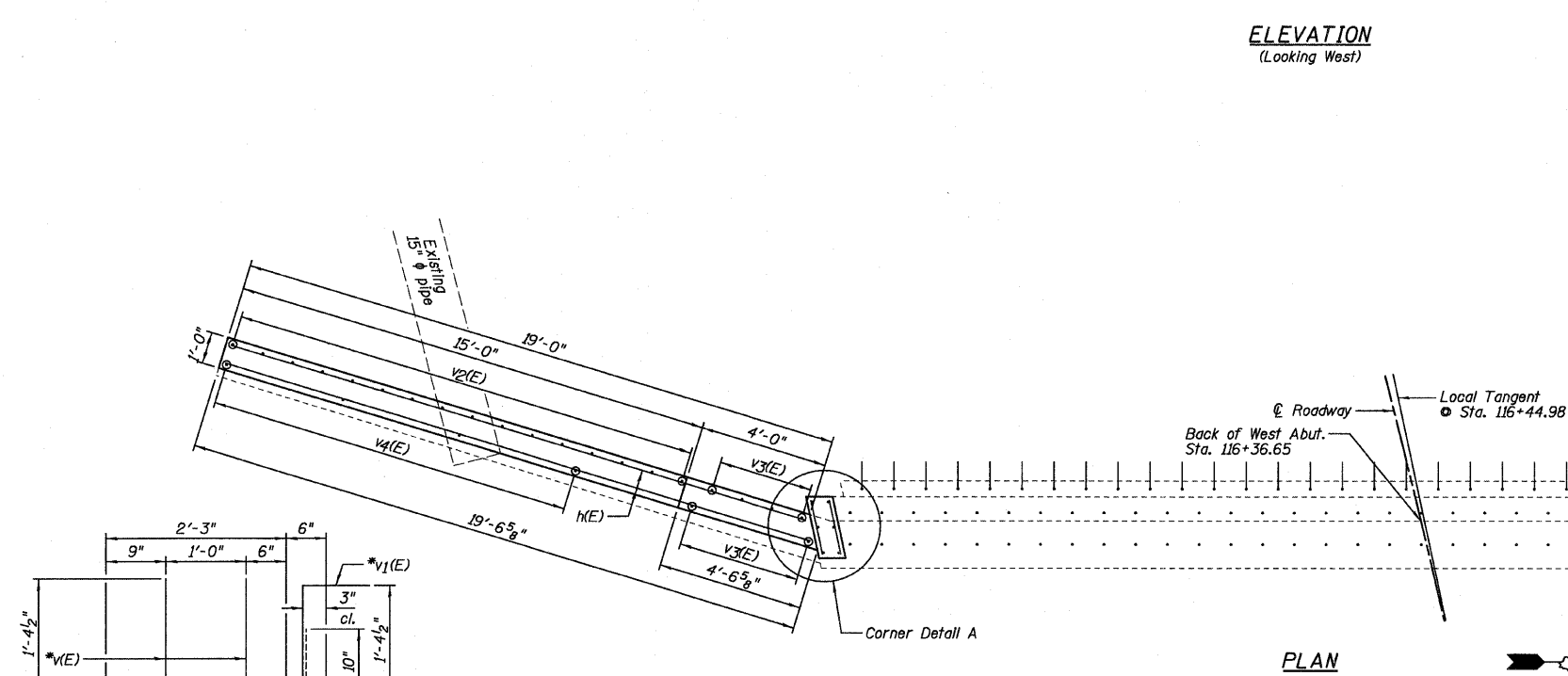
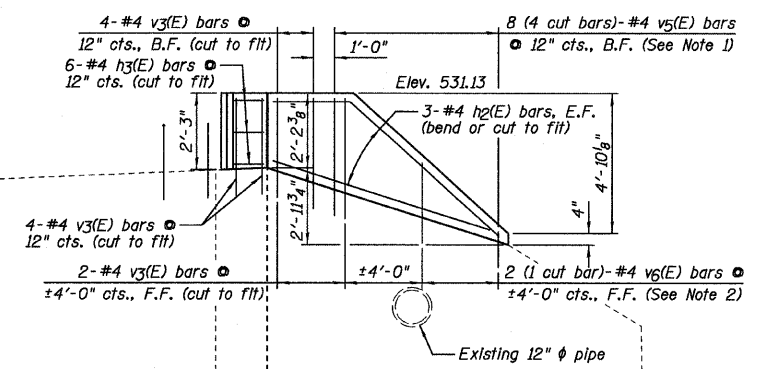
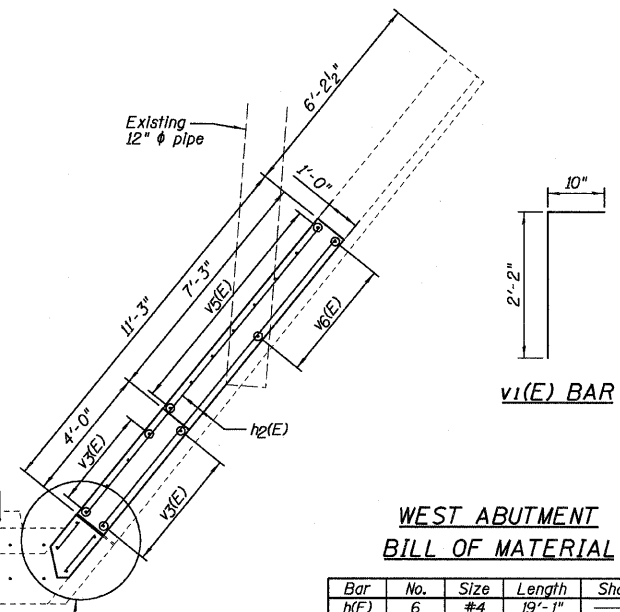


ELEVATION
(Looking West)

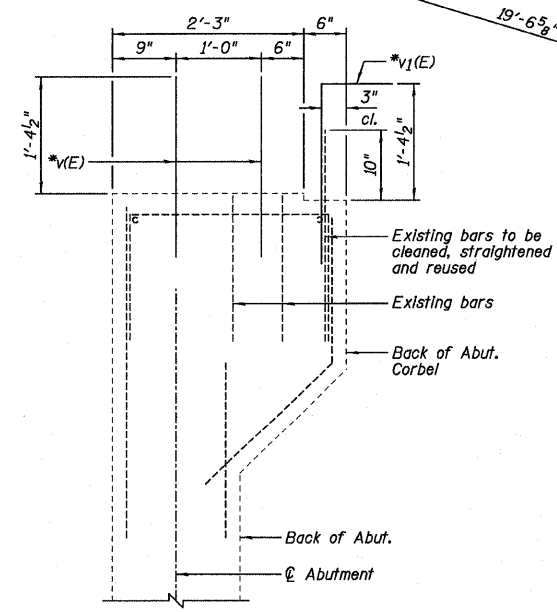


PLAN

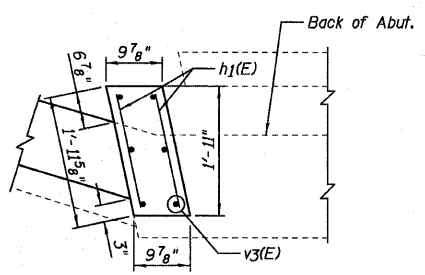


**WEST ABUTMENT
BILL OF MATERIAL**

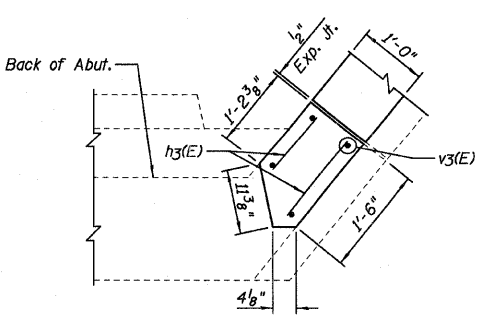
Bar	No.	Size	Length	Shape
h(E)	6	#4	19'-1"	
h1(E)	6	#4	1'-8"	
h2(E)	6	#4	10'-11"	
h3(E)	6	#4	1'-4"	
v(E)	74	#5	2'-2"	
v1(E)	35	#5	3'-0"	
v2(E)	8	#4	4'-7"	
v3(E)	22	#4	3'-9"	
v4(E)	2	#4	4'-0"	
v5(E)	4	#4	4'-9"	
v6(E)	1	#4	3'-5"	
Item		Unit	Quantity	
Concrete Structures		Cu. Yd.	2.4	
Reinforcement Bars, Epoxy Coated		Pound	510	



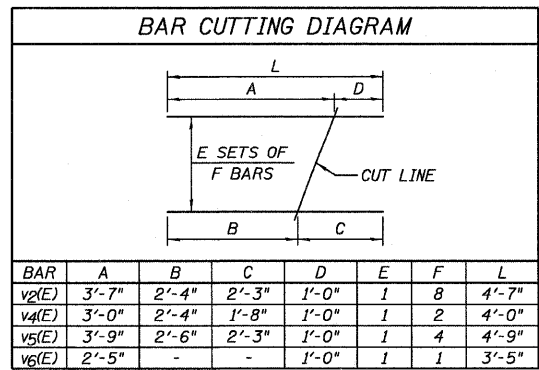
SECTION A-A



CORNER DETAIL A



CORNER DETAIL B



NOTES:

- Order v2(E) and v5(E) bars full length. Cut according to the Bar Cutting Diagram. Use all bars in the back face of the wall.
- Order v4(E) and v6(E) bars full length. Cut according to the Bar Cutting Diagram. Use all bars in the front face of the wall.
- Drill & epoxy grout v(E) thru v5(E) bars in min. 9" according to Section 584 of the Standard Specification. The type of epoxy grout shall be approved by the Engineer.
- *Drill & epoxy grout v(E) & v1(E) bars between existing v bars.
- B.F. denotes Back Face, F.F. denotes Front Face & E.F. denotes Each Face.

Farnsworth GROUP, INC.
2709 McCreary Drive
Bloomington, Illinois 61704
309/663-8435, 309/663-1571 fax

DESIGNED - JML
CHECKED - MSW
DRAWN - DJM
CHECKED - MSW
DATE - 11/07/11

REVIS
REVIS
REVIS
REVIS

**STATE OF ILLINOIS
DEPARTMENT OF TRANSPORTATION**

**WEST ABUTMENT
STRUCTURE NO. 050-0184**
SHEET NO. B12 OF 20 SHEETS

F.A.P. RTE.	SECTION	COUNTY	TOTAL SHEETS	SHEET NO.
623	(G-1) BR-2	LASALLE	48	28
CONTRACT NO. 66972			ILLINOIS FED. AID PROJECT	