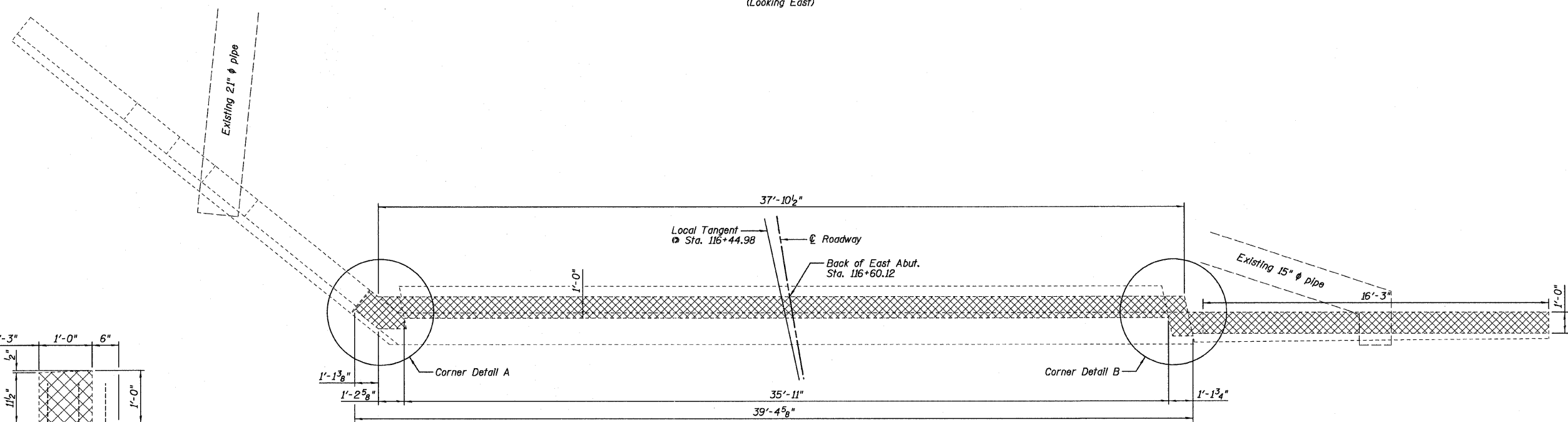
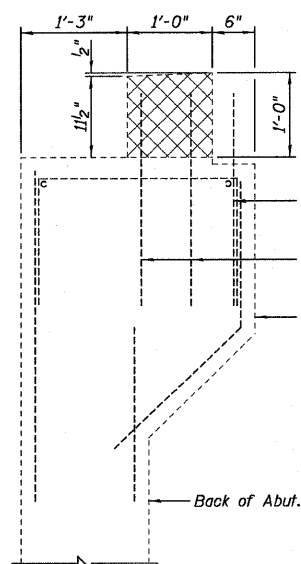


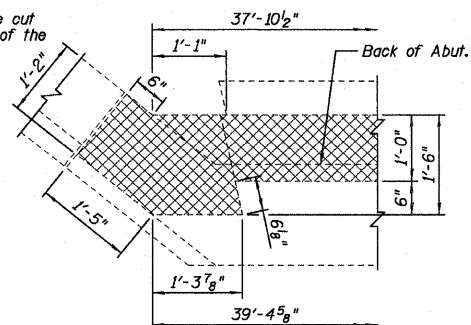
**ELEVATION**  
(Looking East)



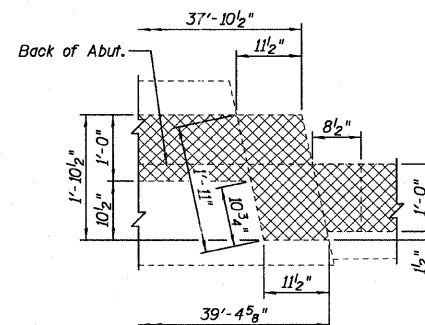
**PLAN**



**SECTION A-A**



**CORNER DETAIL A**



**CORNER DETAIL B**

**LEGEND**

Concrete Removal

**BILL OF MATERIAL**

Item	Unit	Total
Concrete Removal	Cu. Yd.	2.5

**NOTES:**

- Existing reinforcement not extended into new concrete shall be cut off flush.
- Existing reinforcement extended into new concrete shall be cleaned, straightened and incorporated into new construction. Cost included with "Concrete Removal".

**Farnsworth**  
GROUP, INC.  
2709 McGraw Drive  
Bloomington, Illinois 61704  
309/663-9435, 309/663-1571 fax

DESIGNED - JML  
CHECKED - MSW  
DRAWN - DJM  
DATE - 11/07/11

REVISOR  
REVISOR  
REVISOR  
REVISOR

**STATE OF ILLINOIS**  
**DEPARTMENT OF TRANSPORTATION**

**EAST ABUTMENT REMOVAL**  
**STRUCTURE NO. 050-0184**

SHEET NO. B13 OF 20 SHEETS

F.A.P. RTE.	SECTION	COUNTY	TOTAL SHEETS	SHEET NO.
623	(G-1) BR-2	LASALLE	48	29
CONTRACT NO. 66972				
ILLINOIS FED. AID PROJECT				