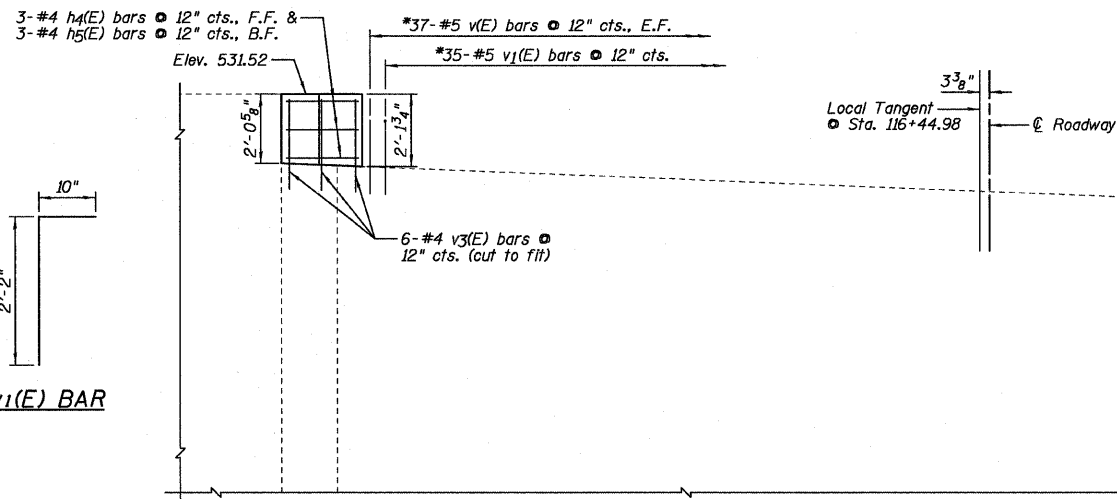
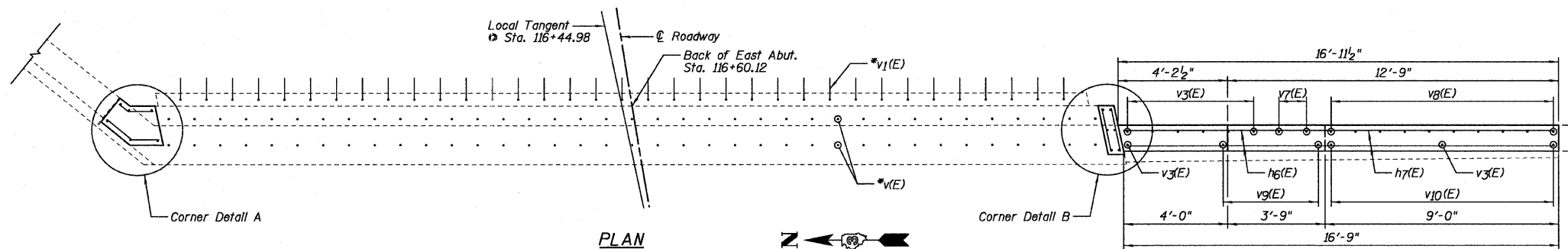
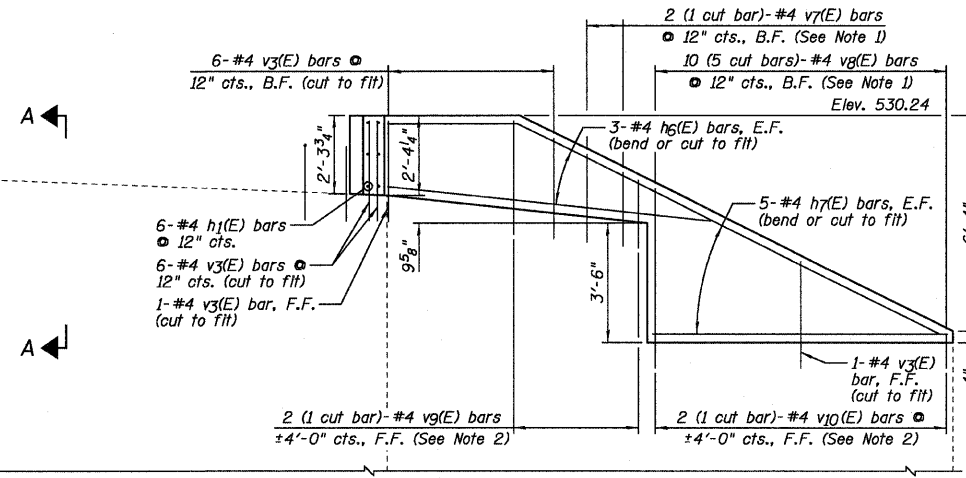


**EAST ABUTMENT
BILL OF MATERIAL**

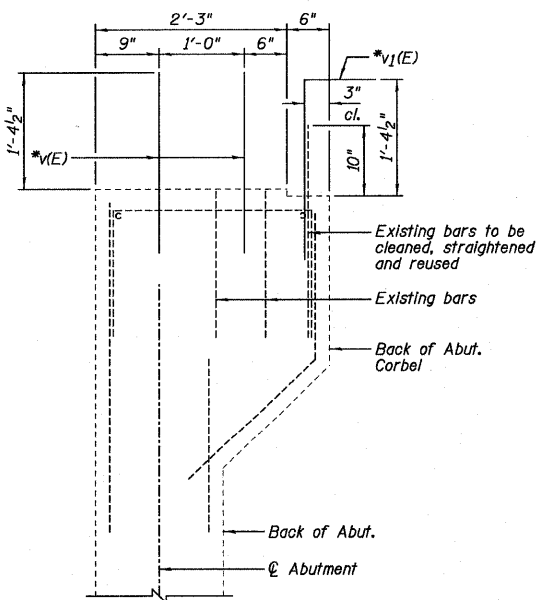
Bar	No.	Size	Length	Shape	
h1(E)	6	#4	1'-8"		
h4(E)	3	#4	2'-3"		
h5(E)	3	#4	1'-4"		
h6(E)	6	#4	9'-6"		
h7(E)	10	#4	9'-0"		
v(E)	74	#5	2'-2"		
v1(E)	35	#5	3'-0"		
v3(E)	20	#4	3'-9"		
v7(E)	1	#4	4'-8"		
vg(E)	5	#4	6'-3"		
vg(E)	1	#4	5'-4"		
v10(E)	1	#4	6'-3"		
Item				Unit	Quantity
Concrete Structures				Cu. Yd.	1.9
Reinforcement Bars, Epoxy Coated				Pound	470



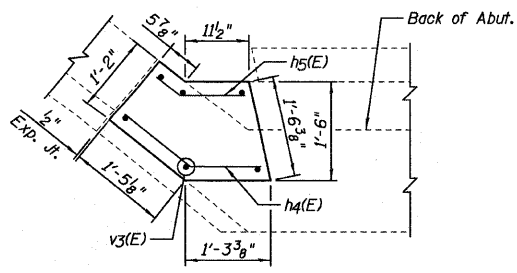
**ELEVATION
(Looking East)**



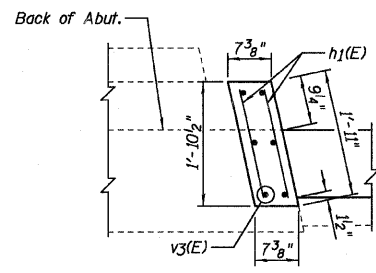
PLAN



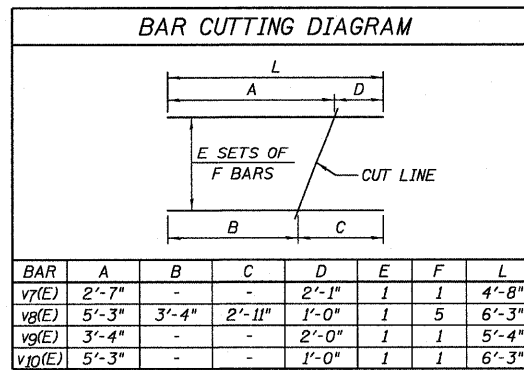
SECTION A-A



CORNER DETAIL A



CORNER DETAIL B



- NOTES:**
- Order v7(E) and vg(E) bars full length. Cut according to the Bar Cutting Diagram. Use all bars in the back face of the wall.
 - Order vg(E) and v10(E) bars full length. Cut according to the Bar Cutting Diagram. Use all bars in the front face of the wall.
 - Drill & epoxy grout v(E), v1(E), v3(E) & v7(E) thru v10(E) bars min. 9" according to Section 584 of the Standard Specification. The type of epoxy grout shall be approved by the Engineer.
 - Drill & epoxy grout v(E) & v1(E) bars between existing v bars.
 - B.F. denotes Back Face, F.F. denotes Front Face & E.F. denotes Each Face.